

## Features

- Current rating of 300 mA
- Inductance range: 10 to 330  $\mu$ H
- Frequency range to 1600 MHz
- RoHS compliant\*

## Applications

- EMI suppression

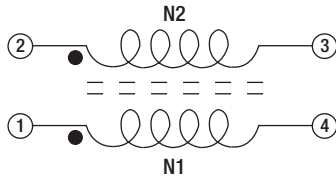
# SRF0602 Series - Line Filter

### Electrical Specifications @ 25 °C

Part Number	L ( $\mu$ H) *	Leakage Inductance ( $\mu$ H) Max.	DCR ( $\Omega$ ) max. (each winding)	Rated Current (mA)	Impedance (Z)	
					Freq. Range (MHz)	Min. Value ( $\Omega$ )
SRF0602-100Y	10 $\pm$ 50 %	1	0.24	300	35 - 570	600
SRF0602-470Y	47 $\pm$ 50 %	4	0.16	300	4 - 1600	140
SRF0602-820Y	82 $\pm$ 50 %	4	0.02	300	3 - 850	220
SRF0602-101Y	100 $\pm$ 50 %	8	0.22	300	3 - 660	260
SRF0602-181Y	180 $\pm$ 50 %	8	0.25	300	3 - 250	500
SRF0602-221Y	220 $\pm$ 50 %	10	0.28	300	3 - 210	600
SRF0602-331Y	330 $\pm$ 50 %	10	0.30	300	3 - 120	900

\* Test condition: 2 mV, 10 KHz

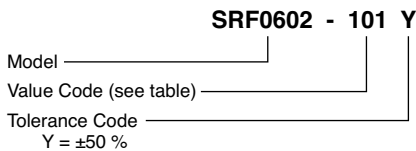
### Schematic



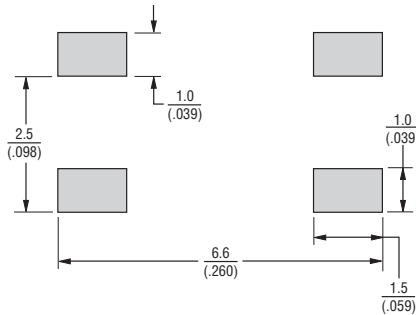
### Typical Part Marking



### How to Order



### Recommended Layout



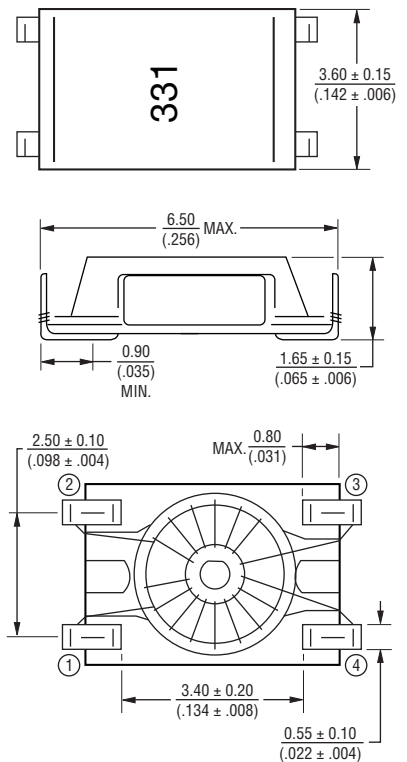
### General Specifications

Temperature Rise.. 20 °C at rated current  
 Rated Voltage.....50 Vdc  
 Hi-Pot ..... 250 VAC, 60 Hz,  
 3 mA max. for 1 minute  
 Operating Temperature  
 ..... -40 °C to +105 °C  
 (Temperature rise included)  
 Storage Temperature .. -40 °C to +105 °C  
 Solderability ..... 260 °C for 5 sec.  
 (JEDEC J-STD-020D)

### Materials

Core Material ..... Ferrite  
 Base ..... LCP  
 Wire ..... Enameled copper  
 Terminal coating ..... Sn  
 Packaging ..... 1000 pcs. per 7-inch reel

### Product Dimensions



DIMENSIONS:  $\frac{\text{MM}}{\text{(INCHES)}}$

# BOURNS®

Asia-Pacific: Tel: +886-2 2562-4117 • Fax: +886-2 2562-4116

Europe: Tel: +41-41 768 5555 • Fax: +41-41 768 5510

The Americas: Tel: +1-951 781-5500 • Fax: +1-951 781-5700

www.bourns.com

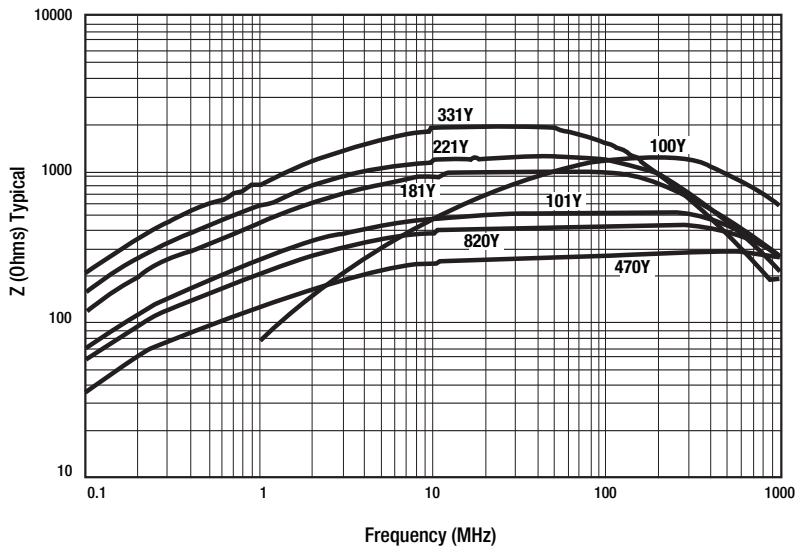
\*RoHS Directive 2002/95/EC Jan. 27, 2003 including annex and RoHS Recast 2011/65/EU June 8, 2011.  
 Specifications are subject to change without notice.

The device characteristics and parameters in this data sheet can and do vary in different applications and actual device performance may vary over time.  
 Users should verify actual device performance in their specific applications.

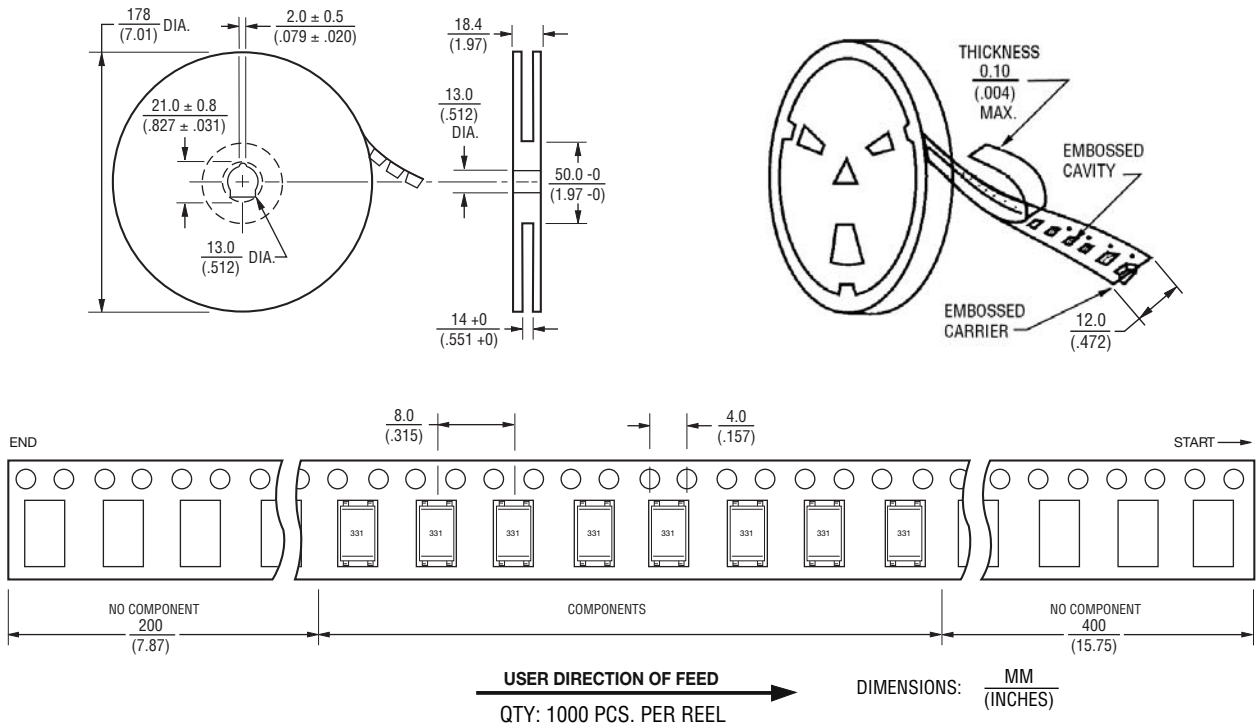
# SRF0602 Series - Line Filter

**BOURNS®**

## Impedance Graph



## Packaging Specifications



REV. 06/13

Specifications are subject to change without notice.

The device characteristics and parameters in this data sheet can and do vary in different applications and actual device performance may vary over time. Users should verify actual device performance in their specific applications.