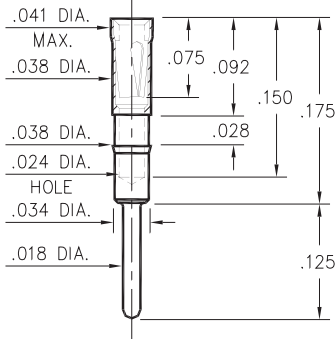
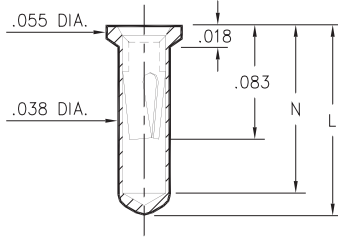


### 0467



**0467-0-15-XX-21-XX-04-0**  
Press-fit in .037 mounting hole

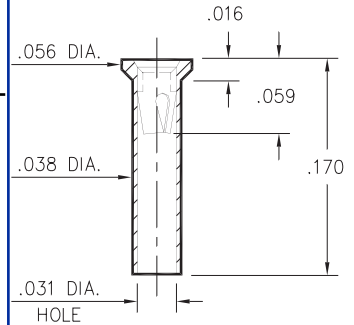
### 0552



**0552-X-15-XX-X1-XX-10-0**  
Solder mount in .040 min. mounting hole  
Also available on 16mm wide carrier tape: 1,500 parts per 13" reel.  
Order as: 0552-X-57-XX-X1-XX-10-0

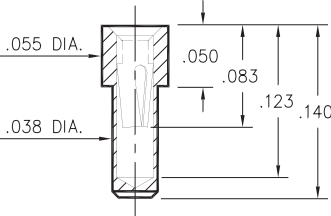
Basic Part Number	Length	Depth
	L	N
0552-1	.136	.120
0552-2	.170	.150

### 5522



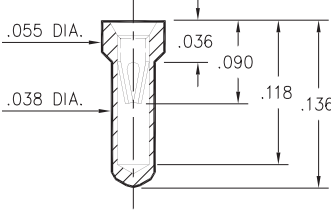
**5522-0-15-XX-09-XX-10-0**  
Solder mount in .040 min. mounting hole

### 0569



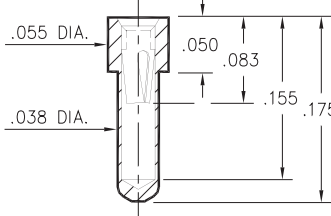
**0569-0-15-XX-X1-XX-10-0**  
Solder mount in .040 min mounting hole

### 6023



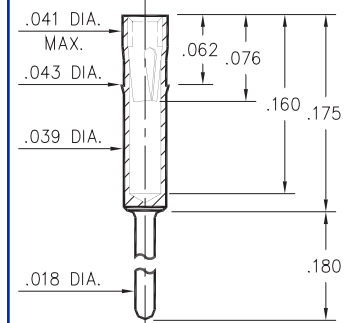
**6023-0-15-XX-21-XX-10-0**  
Solder mount in .040 min mounting hole

### 6214



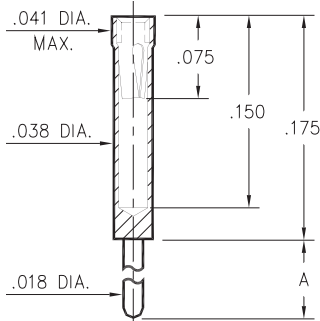
**6214-0-15-XX-21-XX-10-0**  
Solder mount in .040 min mounting hole

### 2086



**2086-0-15-XX-21-XX-04-0**  
Press-fit in .040 mounting hole

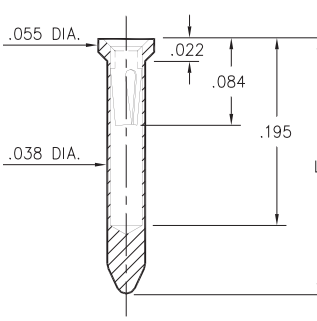
### 0461



**0461-X-15-XX-X1-XX-04-0**  
Solder mount in .020 min. mounting hole

Basic Part Number	Length A
0461-0	.400
0461-1	.275
0461-2	.180
0461-3	.125
0461-4	.060
0461-5	.440

### 8579



**8579-0-15-XX-X1-XX-10-0**  
Solder mount in .040 min mounting hole

Basic Part Number	Length L
8579-0	.234
8579-1	.295

## SPECIFICATIONS

**SHELL MATERIAL:**  
Brass Alloy 360, 1/2 Hard

**CONTACT MATERIAL:**  
Beryllium Copper Alloy 172, HT

**DIMENSION IN INCHES**  
**TOLERANCES ON:**  
LENGTHS: ±.005  
DIAMETERS: ±.002  
ANGLES: ± 2°

**ORDER CODE: XXXX - X - 15 - XX - XX - XX - XX - 0**

**BASIC PART #** →

**SPECIFY SHELL FINISH:**

- 01 200µ" TIN/LEAD OVER NICKEL
- 80 200µ" TIN OVER NICKEL ◊
- 15 10µ" GOLD OVER NICKEL ◊

**SPECIFY CONTACT FINISH:**

- 02 100µ" TIN/LEAD OVER NICKEL
- 84 100µ" TIN OVER NICKEL ◊
- 27 30µ" GOLD OVER NICKEL ◊



**SELECT CONTACT**

#09, #11 or #21 CONTACT (DATA ON PAGE 206)