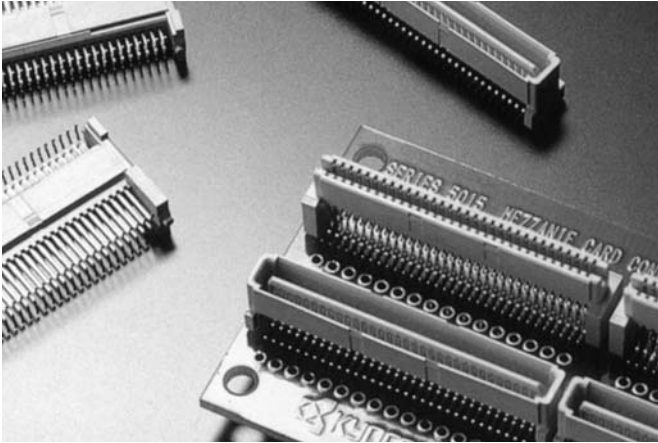


# Fine Pitch SMT Board to Board Connectors

## Series 5015



Series 5015 is the board to board connector system that supports the IEEE P-1386 standard for mezzanine card installation in industrial computer applications including VME, Futurebus, and other host boards. At 1.0mm pitch, the 64-position connector can be used with standard PCI and S-Bus mezzanine cards in 64 circuit combinations with mated heights of 8-15mm.

The IEEE P-1386 standard was developed to facilitate the use of modular boards (called mezzanine cards) to add functionality to VME bus systems, typically used in real time systems and industrial computers. PCI was selected as the new auxiliary bus structure because of its higher bandwidth, speed, and flexibility for handling I/O functions. In addition, the chips, components, and software for implementing the PCI standard were already in wide use by the personal computer marketplace.

### FEATURES

Conforms to IEEE P-1386 Common Mezzanine Card Standard.

Flexible combination of plug with receptacle achieving a wide variety of mated heights ranging from 8.0mm to 15.0mm.

Parts can be supplied with or without boss.

Designed for pick and place mounting.

Parts are supplied in tape and reel.

### SPECIFICATIONS

Series	5015
Mated Height	8.0 to 15.0mm
Pitch	1.0mm
Current	1A Max
Voltage	250V Max
D.W. Voltage	250V rms/min
Mating Cycles	100

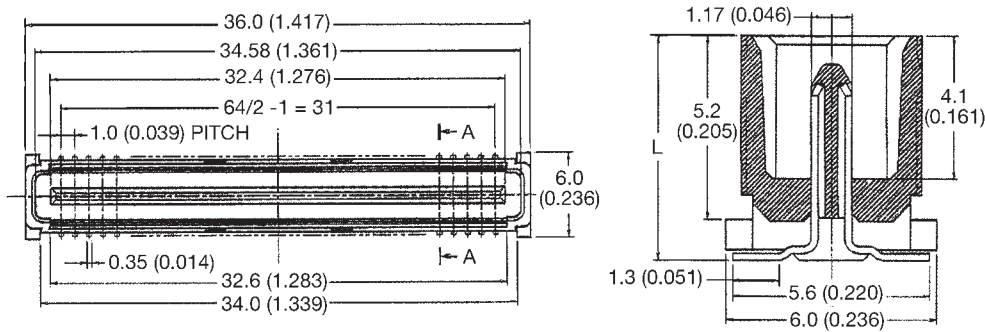


# Fine Pitch SMT Board to Board Connectors

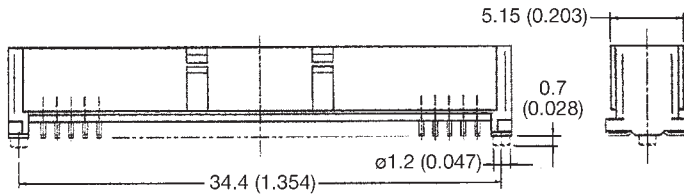


## Series 5015 Mezzanine Card Connector 1.0mm Pitch

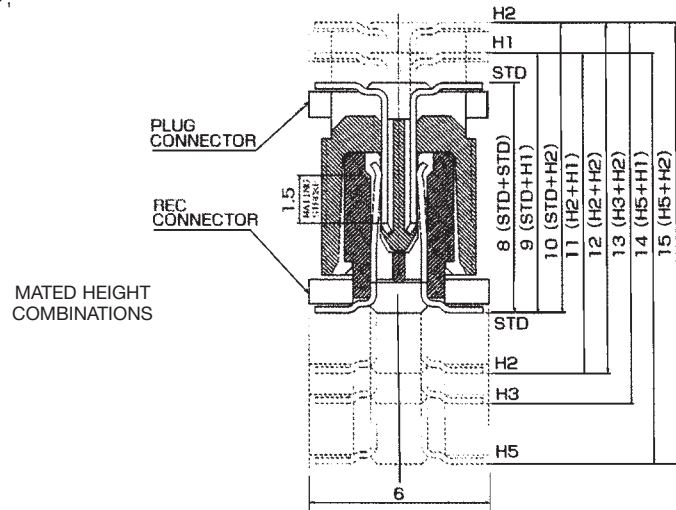
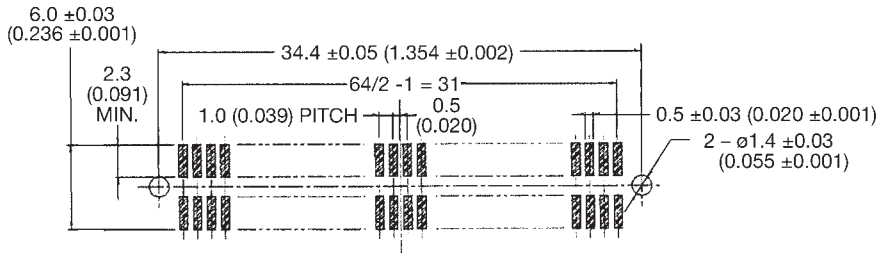
### PLUG



Variation	L
STD	6.25 (0.246)
H1	7.25 (0.285)
H2	8.25 (0.325)



Mated Height	Plug	Receptacle
8.0 (0.315)	STD	STD
9.0 (0.354)	H1	STD
10.0 (0.394)	H2	STD
11.0 (0.433)	H1	H2
12.0 (0.472)	H2	H2
13.0 (0.512)	H2	H3
14.0 (0.551)	H1	H5
15.0 (0.591)	H2	H5



### HOW TO ORDER

**14**  
Prefix

**5015**  
Series Number

**064**  
Number of Positions

**X**  
Variation Code  
0 = Without Boss  
1 = With Boss

**XX**  
Type Code  
00 = Standard  
01 = H1  
02 = H2

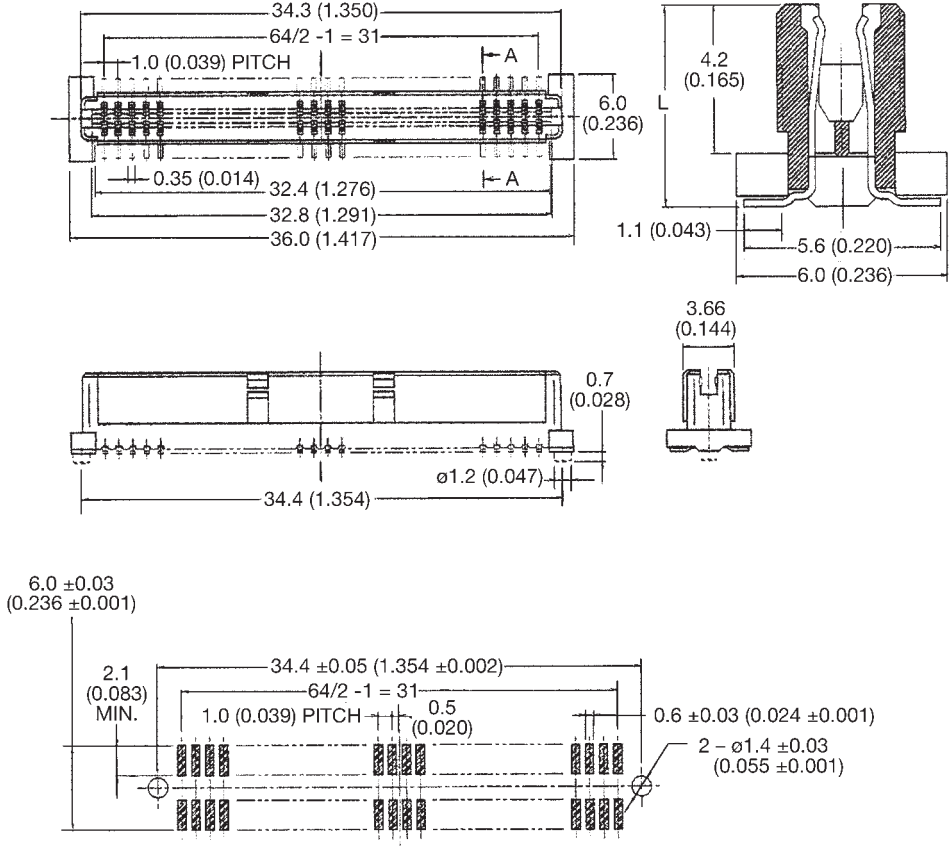
**XXX**  
Finish Code  
863 = Ni Undercoated  
1.2-4.0 $\mu$ m,  
Au 0.76 $\mu$ m  
(Contact)  
861 = Ni Undercoated  
1.2-4.0 $\mu$ m,  
Au 0.25 $\mu$ m  
(Contact)



# Fine Pitch SMT Board to Board Connectors

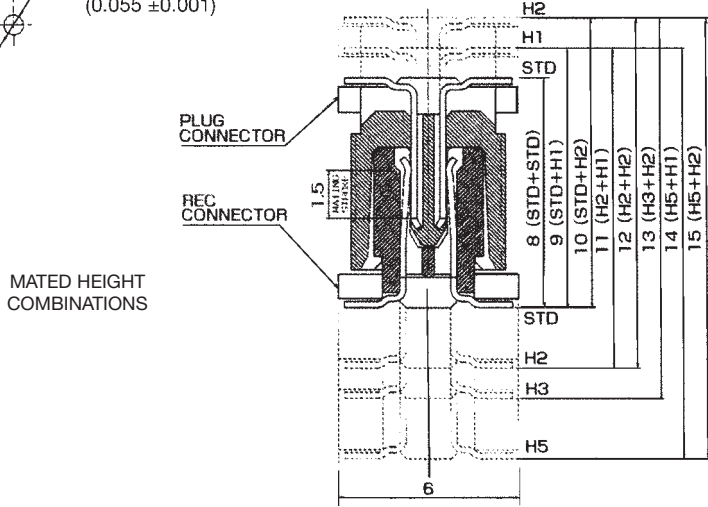
## Series 5015 Mezzanine Card Connector 1.0mm Pitch

### RECEPTACLE



Variation	L
STD	5.60 (0.220)
H2	7.60 (0.299)
H3	8.60 (0.339)
H5	10.60 (0.417)

Mated Height	Plug	Receptacle
8.0 (0.315)	STD	STD
9.0 (0.354)	H1	STD
10.0 (0.394)	H2	STD
11.0 (0.433)	H1	H2
12.0 (0.472)	H2	H2
13.0 (0.512)	H2	H3
14.0 (0.551)	H1	H5
15.0 (0.591)	H2	H5



### HOW TO ORDER

<u>24</u>	<u>5015</u>	<u>064</u>	<u>X</u>	<u>XX</u>	<u>XXX</u>
Prefix	Series Number	Number of Positions	Variation Code 0 = Without Boss 1 = With Boss	Type Code 00 = Standard 01 = H1 02 = H2 03 = H3 05 = H5	Finish Code 863 = Ni Undercoated 1.2-4.0 $\mu$ m, Au 0.76 $\mu$ m (Contact) 861 = Ni Undercoated 1.2-4.0 $\mu$ m, Au 0.25 $\mu$ m (Contact)