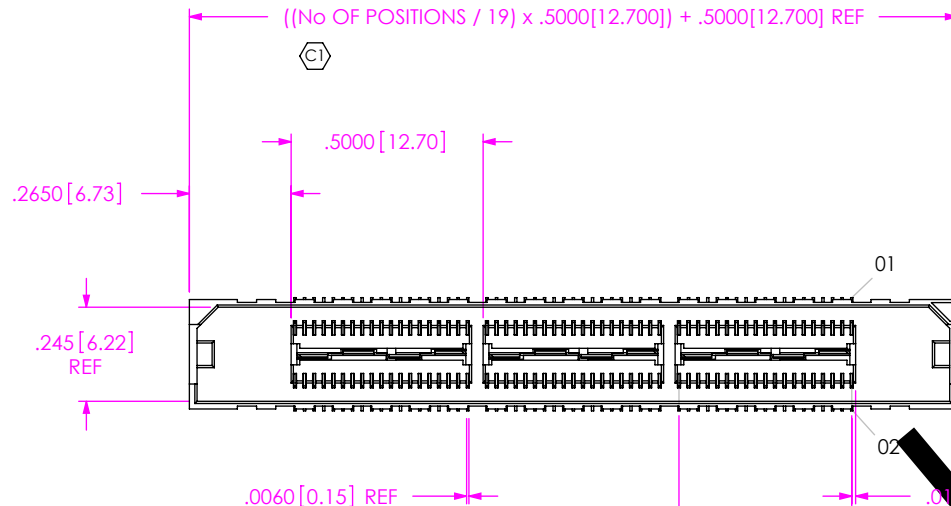


DO NOT SCALE FROM THIS PRINT

CMIS-XXX-XX-X-D-XX



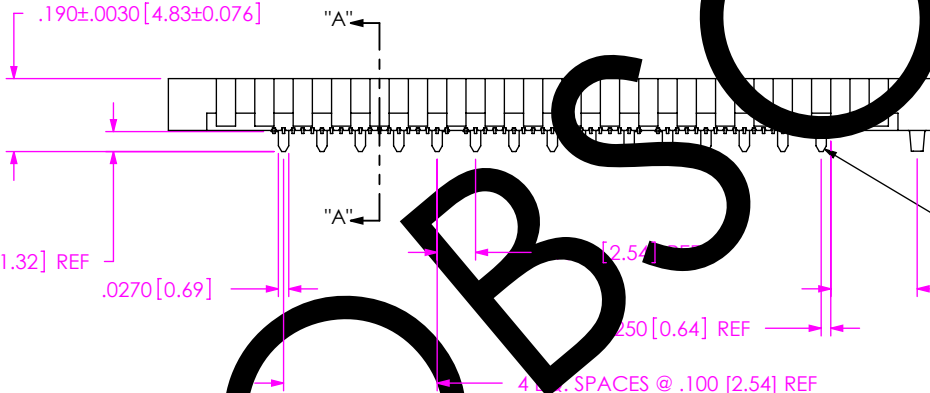
No OF POSITIONS
-019, -038, -057, -076, -095, -114, -133 (PER ROW)

OPTION
-K: POLYAMIDE FILM PAD (USE K-850-650, SEE FIG. 2)

LEAD STYLE
-01: [3.65]

ROW SPECIFICATION
-D: DOUBLE (USE MIS-19-01-D-XX)

No OF BANKS



SEE TABLE 1

SECTION "A"-"A"

OBVIOUS

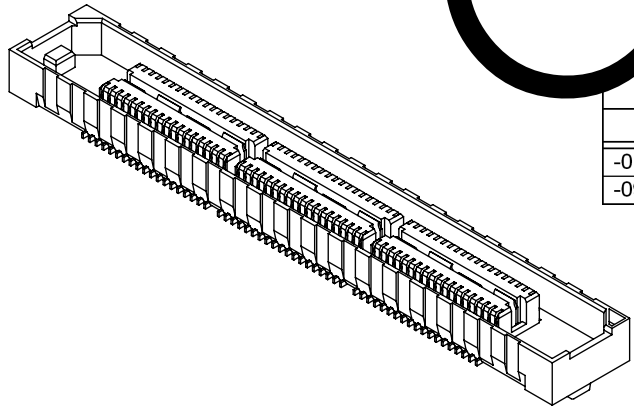
FIG. 1

MIS-057-01-X-D SHOWN

TABLE 1	
No OF POS	COPLANARITY
-019 THRU -076	.0040[.102]
-095 THRU -133	.0060[.152]

NOTES:

- ⊙ REPRESENTS A CRITICAL DIMENSION.
- BURR ALLOWANCE: .0015[.038] MAX.
- MINIMUM TERMINAL RETENTION: 8 OZ.
- MINIMUM GROUND PLANE RETENTION: 8 OZ.
- MAXIMUM ALLOWABLE BOW: .002[.05] INCH INCH AFTER ASSEMBLY.
- PARTS TO BE MOLDED TO POSITION.
- MAX VARIANCE OF .002[.05].



UNLESS OTHERWISE SPECIFIED, DIMENSIONS ARE IN INCHES. TOLERANCES ARE:
DECIMALS ANGLES
.XX: $\pm .01$ [.3] $\pm 2^\circ$
.XXX: $\pm .005$ [.13]
.XXXX: $\pm .0020$ [.051]

PROPRIETARY NOTE
THIS DOCUMENT CONTAINS INFORMATION CONFIDENTIAL AND PROPRIETARY TO SAMTEC, INC. AND SHALL NOT BE REPRODUCED OR TRANSFERRED TO OTHER DOCUMENTS OR DISCLOSED TO OTHERS OR USED FOR ANY PURPOSE OTHER THAN THAT WHICH IT WAS OBTAINED WITHOUT THE EXPRESSED WRITTEN CONSENT OF SAMTEC, INC.



520 PARK EAST BLVD, NEW ALBANY, IN 47150
PHONE: 812-944-6733 FAX: 812-948-5047
e-Mail: info@SAMTEC.com code: 55322

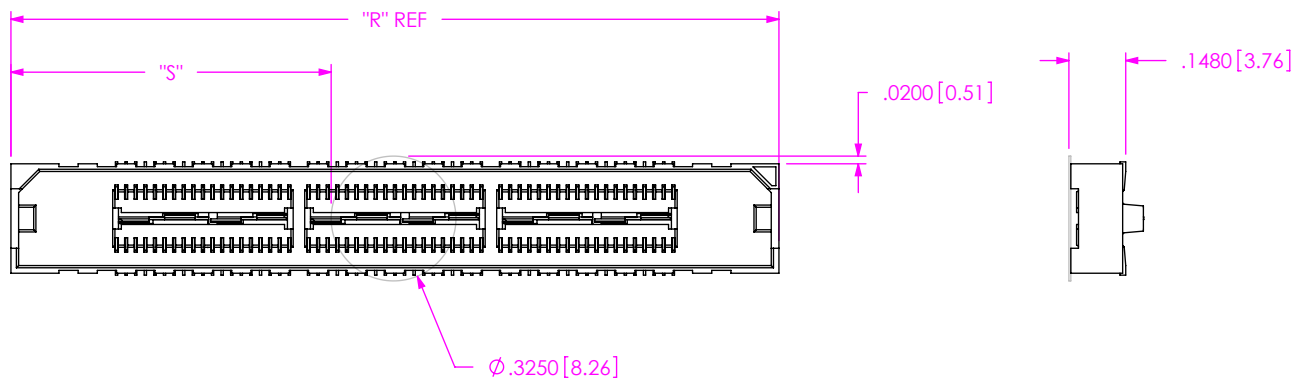
MATERIAL: DO NOT SCALE DRAWING SHEET SCALE: 2:1
INSULATOR: LCP, COLOR: BLACK
CONTACT & GROUND PLANE: PHOS BRONZE

DESCRIPTION: .635mm DOUBLE ROW HS SOCKET ASSEMBLY

DWG. NO. CMIS-XXX-XX-X-D-XX

BY: B. PERRY 10/08/07 SHEET 1 OF 2

FIG. 2
 -K: POLYAMIDE FILM PAD
 (USE K-850-650)



NOTE: "R" = ((No OF POSITIONS / 19) x .5000[12.700]) + .5000[12.700] REF
 "S" = ((("R" - .325[8.26]) / 2) ± .020[.51])

PACKAGING VIEW

[PARTS TO HAVE POSITION # 1 LOADED IN
 SAME DIRECTION AS ARROW ON TUBE]




TUBE: PT-1-24-01-85
 PLUG: TP-24

PROPRIETARY NOTE
 THIS DOCUMENT CONTAINS INFORMATION
 CONFIDENTIAL AND PROPRIETARY TO
 SAMTEC, INC. AND SHALL NOT BE REPRODUCED
 OR TRANSFERRED TO OTHER DOCUMENTS OR
 DISCLOSED TO OTHERS OR USED FOR ANY
 PURPOSE OTHER THAN THAT WHICH IT WAS
 OBTAINED WITHOUT THE EXPRESSED WRITTEN
 CONSENT OF SAMTEC, INC.

DO NOT SCALE DRAWING

SHEET SCALE: 2:1



520 PARK EAST BLVD., NEW ALBANY, IN 47150
 PHONE: 812-944-6733 FAX: 812-948-5047
 e-Mail: info@SAMTEC.com code: 55322

DESCRIPTION:
 .635mm DOUBLE ROW HS SOCKET ASSEMBLY

DWG. NO. **CMIS-XXX-XX-X-D-XX**

BY: B. PERRY 10/08/07 SHEET 2 OF 2