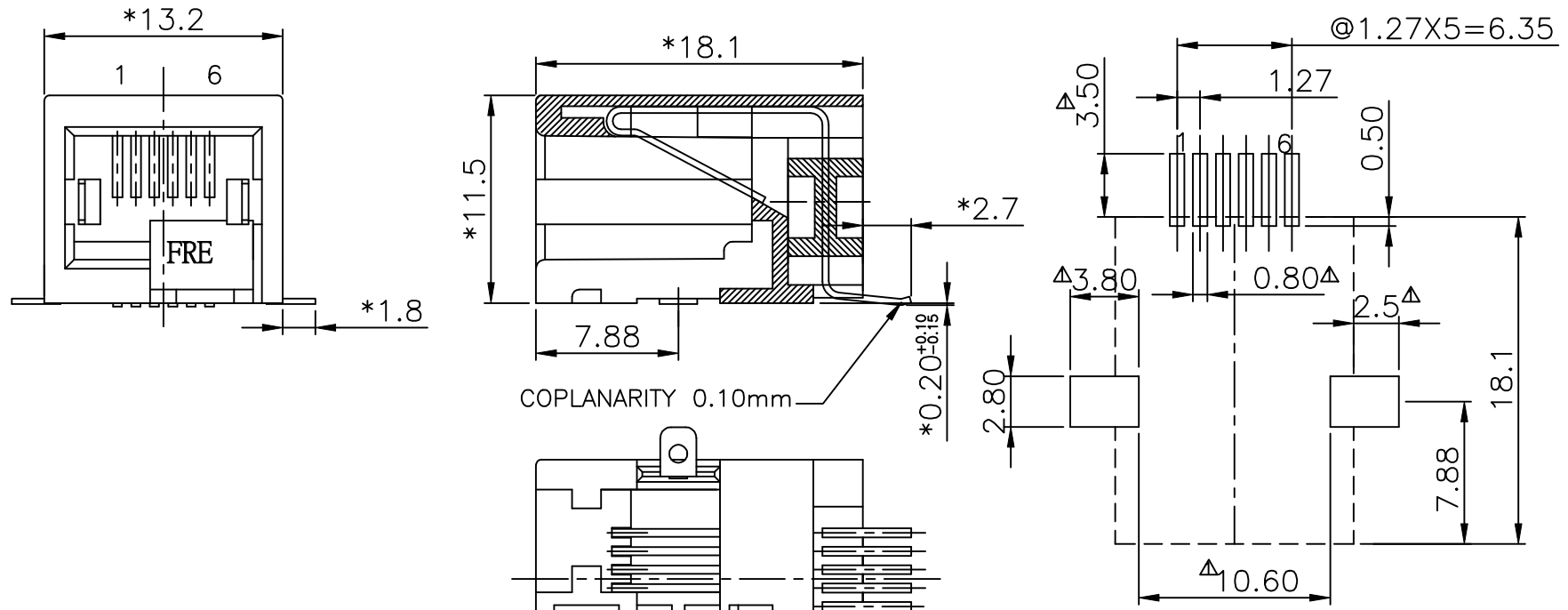


REVISION RECORD				
REV	ECO	DESCRIPTION	DRFT	CHKD
△		Drawing Modify	Syng 5/15/2003	
△		NOTES Modify	Among 11/08/04	



NOTES:

ELECTRICAL:

- VOLTAGE RATING : 125 VAC RMS.
- CURRENT RATING : 1.5 AMP.
- CONTACT RESISTANCE : 35 MILLIOHMS MAX.
- INSULATION RESISTANCE: 1000 MEGOHMS MIN @ 500 VDC.
- DIELECTRIC STRENGTH : 1000 VAC RMS 60Hz, 1MIN.

MECHANICAL:

- HOUSING MATERIAL : FR52
- CONTACT MATERIAL : PHOSPHOR BRONZE t=0.35mm.
- PLATING : GOLD PLATING OVER NICKEL.
- OPERATING LIFE : 750 CYCLES MIN.
- PCB RETENTION POST-SOLDER: 10 LBS MIN.

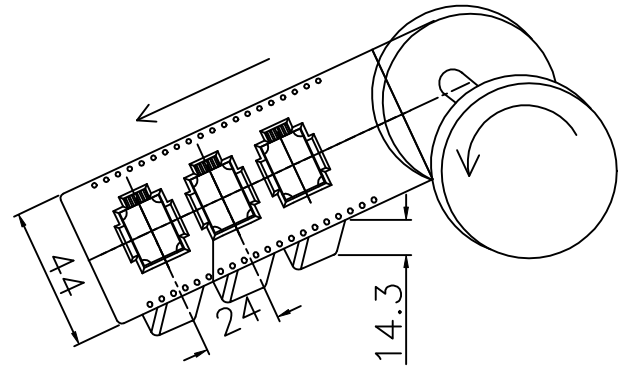
ENVIRONMENTAL:

- STORAGE : -40°C TO +85°C.
- OPERATION: -40°C TO +85°C.

MATES WITH MODULAR PLUG CONFORMING TO FCC PART 68, SUBPART F.

PART NUMBER: E536X-FX05YX

- | | | |
|---------|----------------|---------|
| 2--6P2C | 1- 3U" | 2- 6U" |
| 4--6P4C | 3- 15U" | 4- 30U" |
| 6--6P6C | 5- 50U" | |
| | R- W/ FRE LOGO | |
| | S- W/O LOGO | |



DETACHED LISTS	← MM (INCH) →	DFTO CZH	DATE 10/22/2002	FULL RISE ELECTRONIC CO., LTD	
	TOLERANCES EXCEPT AS NOTED	CHKD SAMMY	DATE 2004/11/16		
	MM	MFO	DATE	TITLE SIDE ENTRY PCB JACK(SMT) 6P	
	.0 ±0.20 ±	APPVLLUSHENG	DATE 2004/11/17		
.00 ±0.15 ±	MATERIAL :	QTY :	DRAWING NO. GE533065	SIZE A3	REV 2
.000 ±0.075 ±	ANGLES ±	FINISH :	/PART NO. SEE NOTE	SHEET X OF Y	
THIRD ANGLE PROJECTION	SCALE : 3:1	DO NOT SCALE DRAWING			