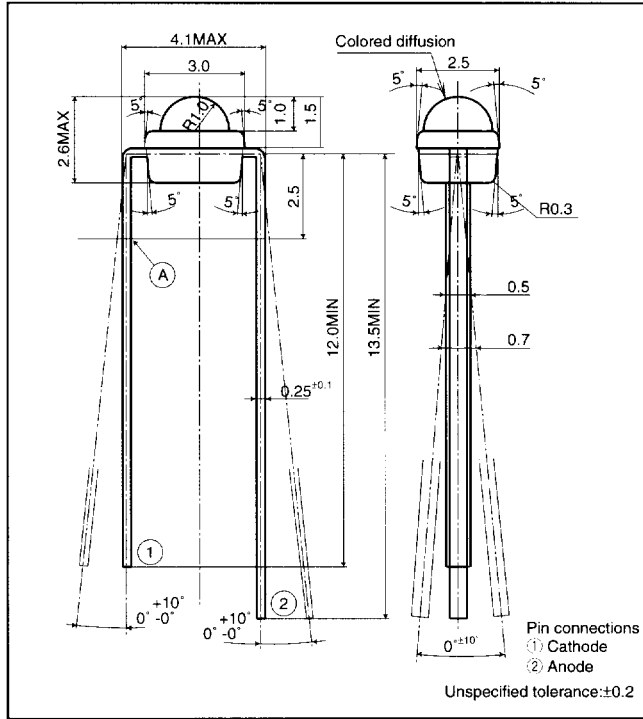


GL1□□111 series

ø2mm, Forming Type, Colored Diffusion, Compact LED Lamp for Backlight/Indicator

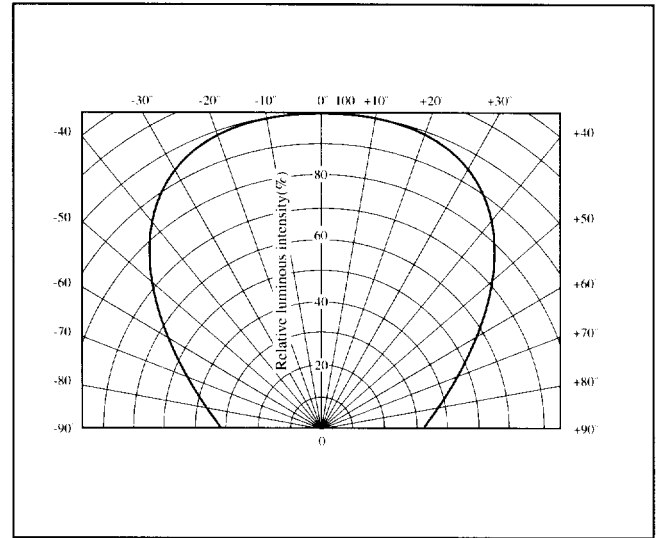
■ Outline Dimensions

(Unit:mm)



■ Radiation Diagram

(Ta=25°C)



■ Absolute Maximum Ratings

(Ta=25°C)

Model No.	Radiation color	Radiation material	Power dissipation P (mW)	Forward current If (mA)	Peak forward current Ifm*1 (mA)	Derating factor (mA/°C)		Reverse voltage VR (V)	Operating temperature Topr (°C)	Storage temperature Tsig (°C)	Soldering temperature Tsol*2 (°C)
						DC	Pulse				
GL1PR111	Red	GaP	23	10	50	0.13	0.67	5	-25 to +85	-25 to +100	260
GL1HD111	Red	GaAsP on GaP	85	30	50	0.40	0.67	5	-25 to +85	-25 to +100	260
GL1HS111	Sunset orange	GaAsP on GaP	85	30	50	0.40	0.67	5	-25 to +85	-25 to +100	260
GL1HY111	Yellow	GaAsP on GaP	50	20	50	0.27	0.67	5	-25 to +85	-25 to +100	260
GL1EG111	Yellow-green	GaP	50	20	50	0.27	0.67	5	-25 to +85	-25 to +100	260

*1 Duty ratio=1/10, Pulse width=0.1ms

*2 Below the (A) portion of outline drawing

■ Electro-optical Characteristics

(Ta=25°C)

Lens type	Model No.	Forward voltage VR(V)		Peak emission wavelength		Luminous intensity		Spectrum radiation bandwidth		Reverse current		Terminal capacitance		Page for characteristics diagrams
		TYP	MAX	λp(nm)	If (mA)	Iv(mcd)	If (mA)	Δλ(nm)	If (mA)	IR(μA)	VR (V)	Ct(pF)	(MHz)	
Colored diffusion	GL1PR111	1.9	2.3	695	5	2.6	5	100	5	10	4	55	1	138
	GL1HD111	2.0	2.8	635	20	8.8	20	35	20	10	4	20	1	138
	GL1HS111	2.0	2.8	610	20	14.4	20	35	20	10	4	15	1	139
	GL1HY111	1.9	2.5	585	10	4.5	10	30	10	10	4	35	1	139
	GL1EG111	1.95	2.8	565	10	7.0	10	30	10	10	4	35	1	140