

SPECIFICATION

Part No. : **GP.1575.18.4.A.02**

Product Name : **Miniature GPS Patch Antenna**

Features : 18mm*18mm*4mm
ROHS Compliant

:



1. Introduction

This ceramic GPS patch antenna is based on smart **XtremeGain™** technology. It is mounted via pin and double-sided adhesive and has been selected as optimal solution for the 50x50mm ground plane.

2. Specification Table

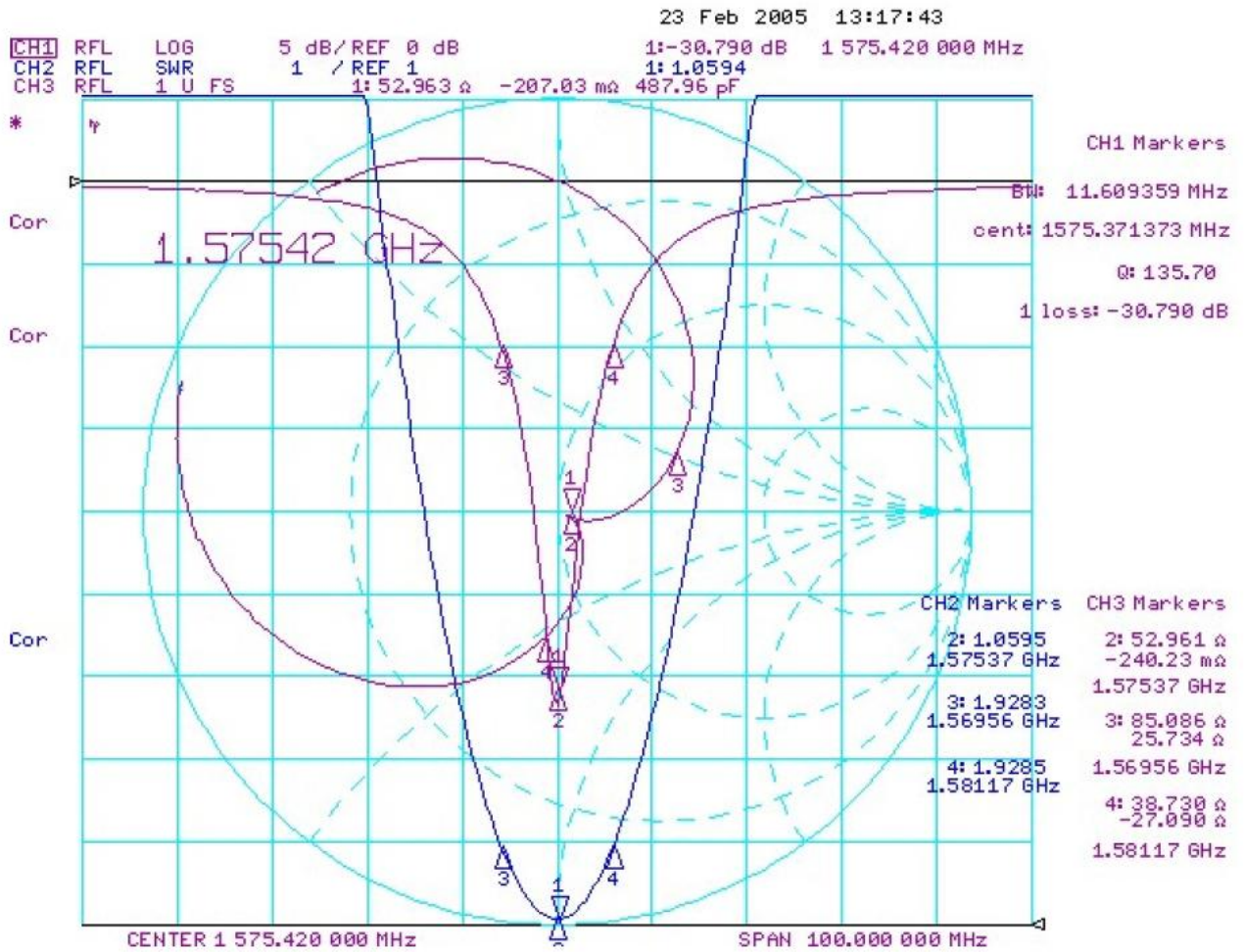
Original Patch Specification tested on 50*50mm ground plane

No	Parameter	Specification
1	Center Frequency	1575MHz +/- 3MHz**
2	Impedance	50Ω
3	Bandwidth	8MHz min Return Loss <-10dB
4	VSWR	1.5 max
5	Gain toward Zenith	+2.5 dBic typ.
6	Gain at 10°Elevation	-4.5 dBic typ.
7	Axial Ratio	3dB Max. Center Frequency
8	Polarization	Right Hand Circular Polarization
9	Frequency Temperature Coefficient (τf)	0 ± 20ppm/°C
10	Operating Temperature	-40°C to +85°C

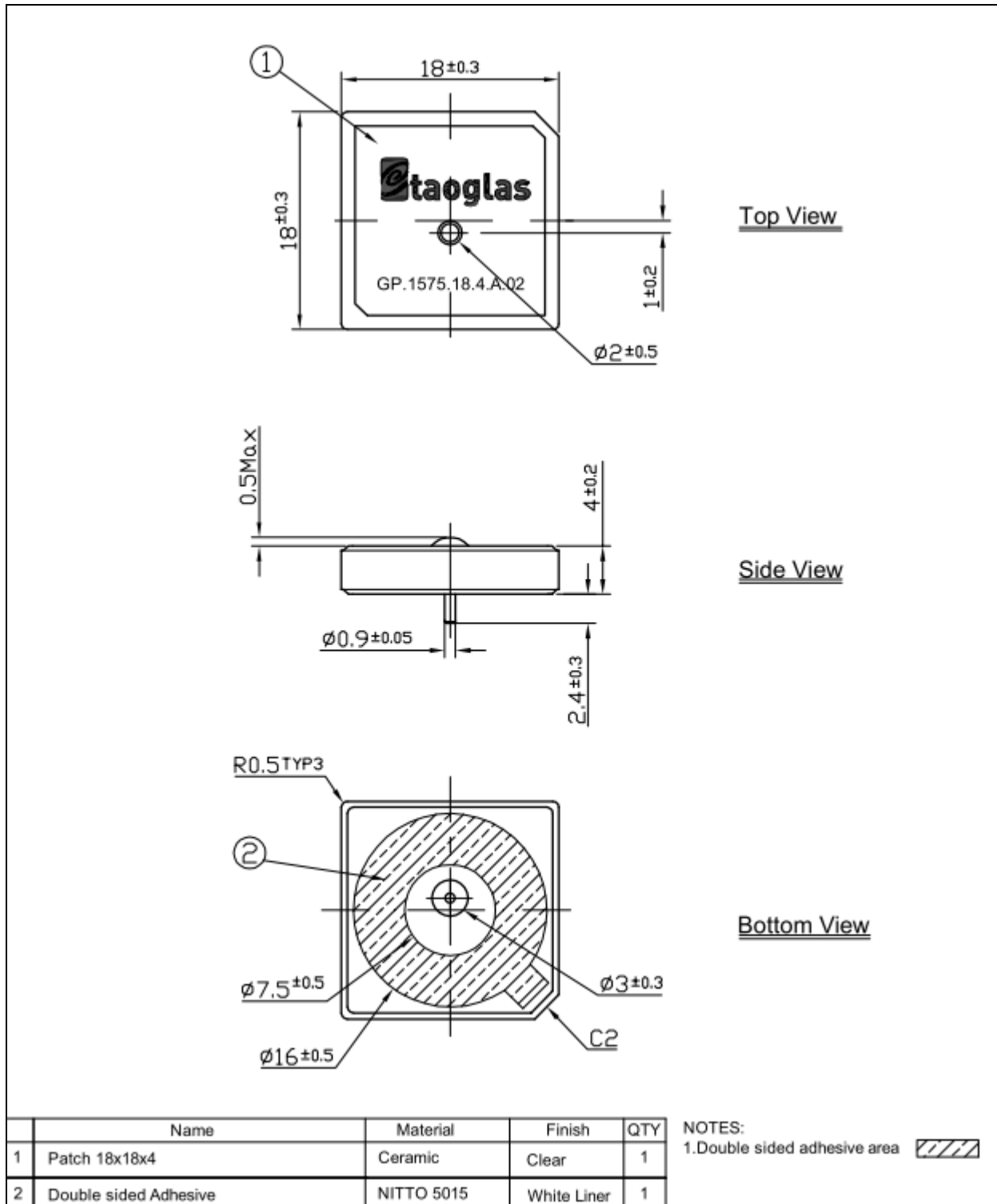
**Changes in user groundplane and environment will offset centre frequency

3. Electrical Specification

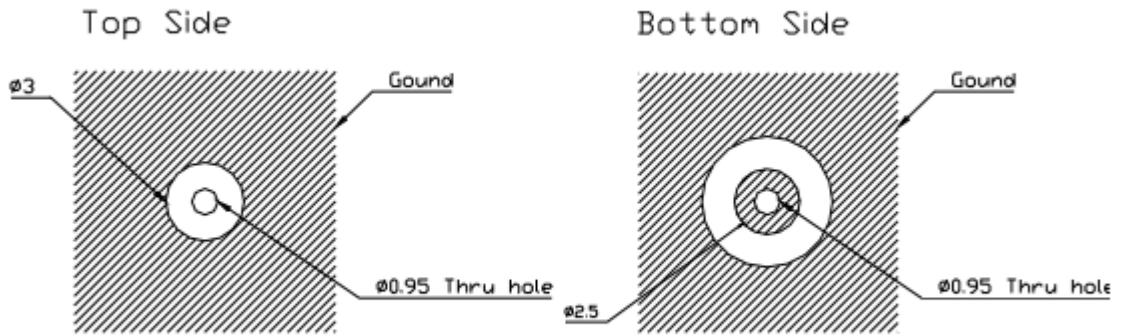
3.1 Smith Chart



4. Dimensions and Drawing



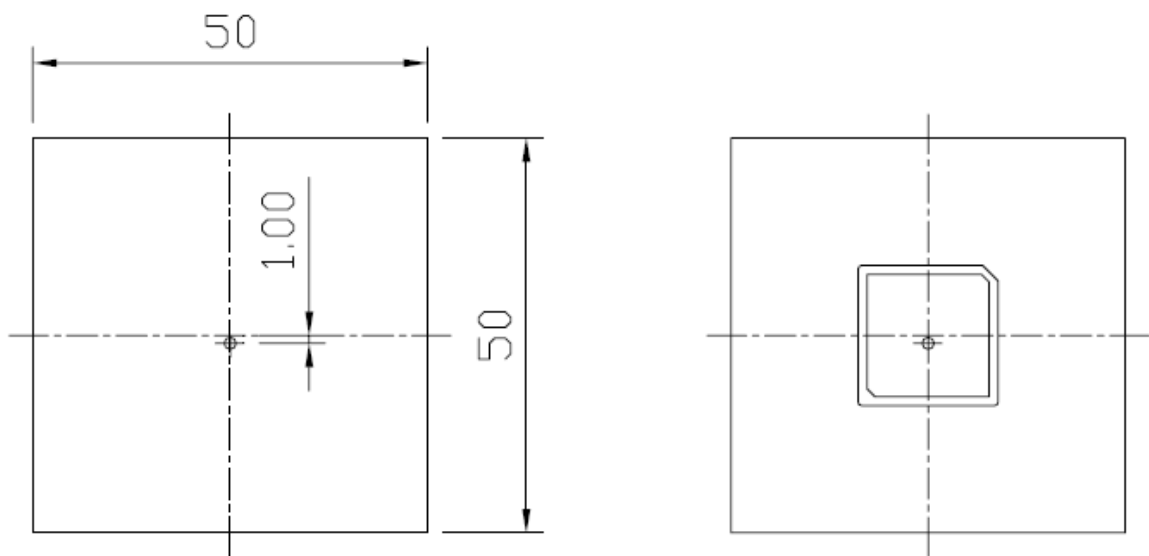
4.1 Layout Dimension



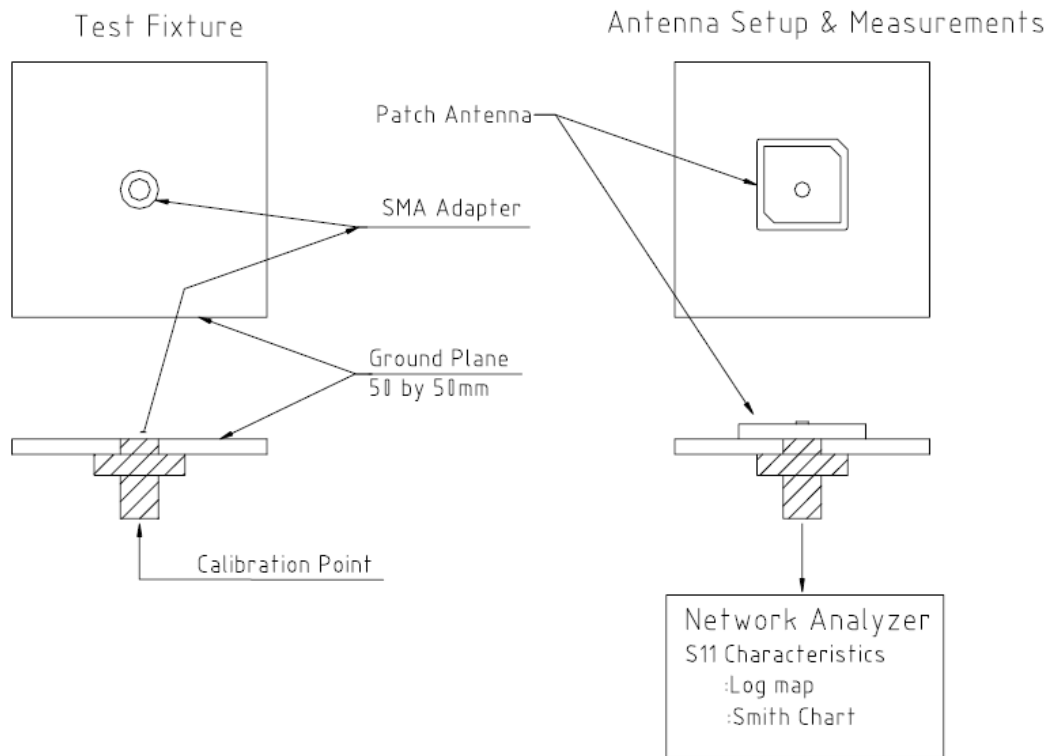
TOL: ± 0.20
 UNIT: mm

*Note Layout Dimensions may be affected by the thickness of the PCB

5. Test Jig and Dimensions

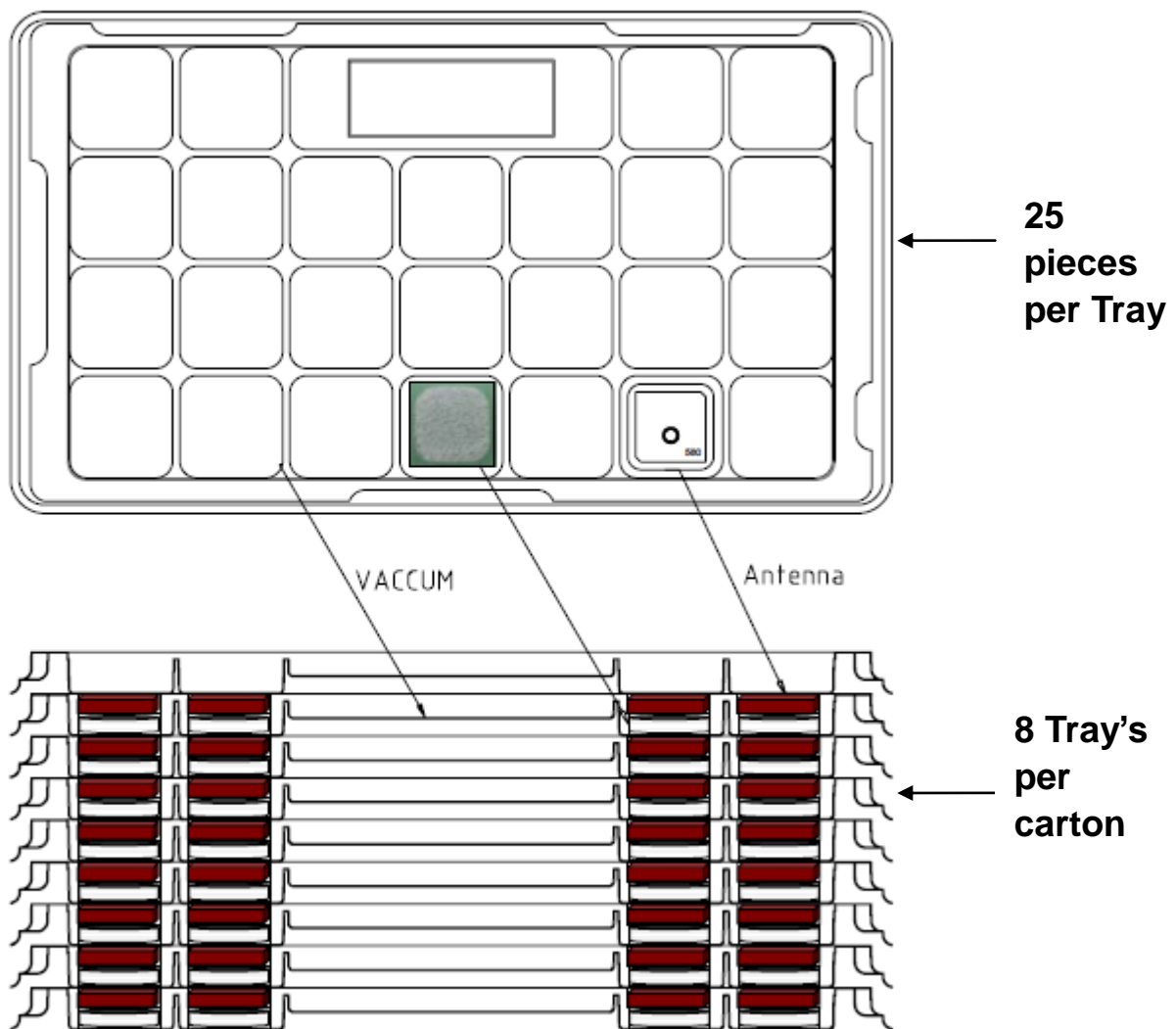


5.1 Test Fixture Antenna Setup & Measurements



6. Packaging

- Per Tray: 25 pieces
- Per Carton(Inside Box) – 8 Trays = 200 pieces
- Outer Carton (Outside Box)– 4 Cartons = 800 pieces



Packing

