

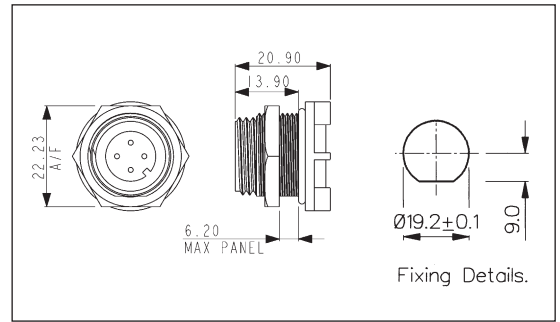
**400 Series Buccaneer®**

**REAR PANEL MOUNTING CONNECTOR**



**PX0413/xxP PX0413/xxS**

- Mates with PX0410
- Rear panel mounting
- Single hole fixing
- Contacts supplied separately
- 4, 6 or 8 pole

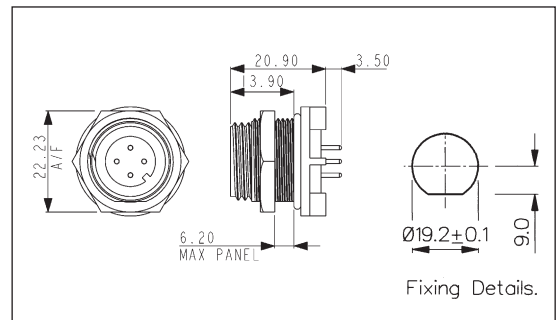


**PCB MOUNTING CONNECTOR**



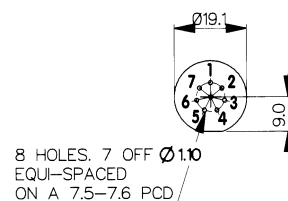
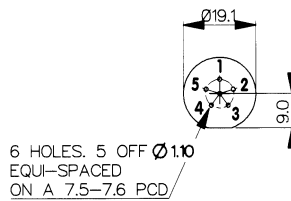
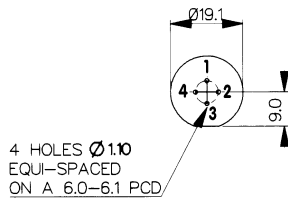
**PX0413/xxP/PC PX0413/xxS/PC**

- Mates with Flex Cable connector PX0410
- PCB mount panel plug & socket
- Straight PC spalls
- Supplied with Gold Plated contacts
- 4, 6 or 8 pole



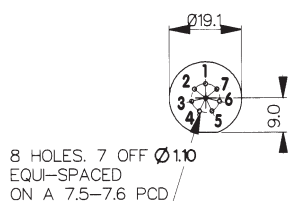
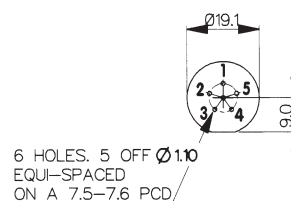
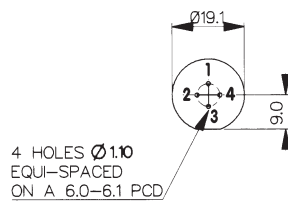
**Sockets**

Contact Nos viewed from rear of panel



**Pins**

Contact Nos viewed from rear of panel



**PART NO. SYSTEM****PX04xx / xx x / xxxx****Body Styles**

- PX0410** = Flex body  
**PX0411** = Flex in-line body  
**PX0412** = Front panel mounting body  
**PX0413** = Rear panel/PCB mounting body

**Number Contacts**

- 02** = 2 pole, **03** = 3 pole, **04** = 4 pole, **06** = 6 pole  
**08** = 8 pole, **10** = 10 pole, **12** = 12 pole  
(PX0413: 4, 6 & 8 pole only)

**Contact Type**

- P** = Pin, **S** = Socket

**Cable Entry Size or Panel Mount**

PX0410 and PX0411:

- |  |                                    |
|--|------------------------------------|
| <b>3035</b> = 3.0 - 3.5mm (Light Grey) | <b>5055</b> = 5.0 - 5.5mm (Yellow) |
| <b>3540</b> = 3.5 - 4.0mm (Grey)       | <b>5560</b> = 5.5 - 6.0mm (Blue)   |
| <b>4045</b> = 4.0 - 4.5mm (Green)      | <b>6065</b> = 6.0 - 6.5mm (White)  |
| <b>4550</b> = 4.5 - 5.0mm (Red)        | <b>6570</b> = 6.5 - 7.0mm (Black)  |

Cable gland and collet supplied in colour coded pairs.

PX0412: Suffix not required - leave blank

PX0413:

- PC** = Pre-loaded PC pins  
**Blank** = no pins supplied

**Examples:**

- PX0413/04P/PC = Rear panel/PCB connector, 4 pin contacts, PCB mounting  
PX0413/06P = Rear panel mounting connector, for 6 pin contacts (supplied less contacts)