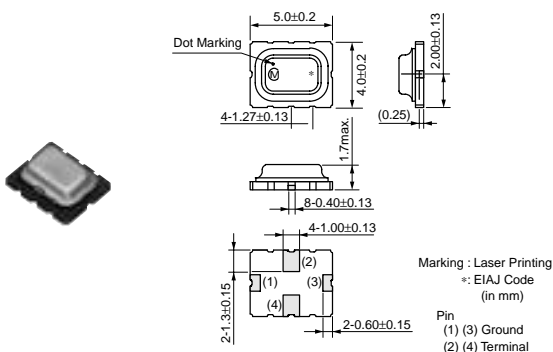


## SAW Resonators



| Part Number     | Resonant Loss (dB) | Resonant Frequency (MHz) | Parallel Capacitance(at 1MHz) (pF) |
|-----------------|--------------------|--------------------------|------------------------------------|
| SARUK308M04BXL0 | 2.2 max.           | 308.040                  | 2.6                                |
| SARUK308M04BXM0 | 2.2 max.           | 308.040                  | 2.6                                |
| SARUK308M04BXP0 | 2.2 max.           | 308.040                  | 2.6                                |
| SARUK314M35BXL0 | 2.2 max.           | 314.350                  | 2.7                                |
| SARUK314M35BXM0 | 2.2 max.           | 314.350                  | 2.7                                |
| SARUK314M35BXP0 | 2.2 max.           | 314.350                  | 2.7                                |
| SARUK314M95BXL0 | 2.2 max.           | 314.950                  | 2.7                                |
| SARUK314M95BXM0 | 2.2 max.           | 314.950                  | 2.7                                |
| SARUK314M95BXP0 | 2.2 max.           | 314.950                  | 2.7                                |
| SARUK315M00BXL0 | 2.2 max.           | 315.000                  | 2.7                                |
| SARUK315M00BXM0 | 2.2 max.           | 315.000                  | 2.7                                |
| SARUK315M00BXP0 | 2.2 max.           | 315.000                  | 2.7                                |
| SARUK417M95BXL0 | 2.5 max.           | 417.950                  | 2.5                                |
| SARUK417M95BXM0 | 2.5 max.           | 417.950                  | 2.5                                |
| SARUK417M95BXP0 | 2.5 max.           | 417.950                  | 2.5                                |
| SARUK423M17BXL0 | 2.5 max.           | 423.170                  | 2.5                                |
| SARUK423M17BXM0 | 2.5 max.           | 423.170                  | 2.5                                |
| SARUK423M17BXP0 | 2.5 max.           | 423.170                  | 2.5                                |
| SARUK433M37BXL0 | 2.5 max.           | 433.370                  | 2.5                                |
| SARUK433M37BXM0 | 2.5 max.           | 433.370                  | 2.5                                |
| SARUK433M37BXP0 | 2.5 max.           | 433.370                  | 2.5                                |
| SARUK433M87BXL0 | 2.5 max.           | 433.870                  | 2.5                                |
| SARUK433M92BXM0 | 2.5 max.           | 433.870                  | 2.5                                |
| SARUK433M92BXP0 | 2.5 max.           | 433.870                  | 2.5                                |
| SARUL433M87BXL0 | 2.5 max.           | 433.870                  | 2.5                                |
| SARUL433M87BXM0 | 2.5 max.           | 433.870                  | 2.5                                |
| SARUL433M87BXP0 | 2.5 max.           | 433.870                  | 2.5                                |
| SARUK433M92BXL0 | 2.5 max.           | 433.920                  | 2.5                                |
| SARUK433M92BXM0 | 2.5 max.           | 433.920                  | 2.5                                |
| SARUK433M92BXP0 | 2.5 max.           | 433.920                  | 2.5                                |
| SARUL433M92BXL0 | 2.5 max.           | 433.920                  | 2.5                                |
| SARUL433M92BXM0 | 2.5 max.           | 433.920                  | 2.5                                |
| SARUL433M92BXP0 | 2.5 max.           | 433.920                  | 2.5                                |
| SARUK479M45BXP0 | 2.5 max.           | 479.450                  | 2.5                                |