

5/6-Pin CPs (FC Series)

The Sanyo 5/6-pin chip packs are small-sized packages that facilitate higher-density mounting. We have various packings that meet automatic mounting requirements.

Transistors for HF, LF Amp General-purpose Amp, Differential Amp Applications

Features

- * Composite version with two transistors contained in the CP heretofore in use, facilitating higher-density mounting
- * Ideally suited for differential amp applications because of excellent thermal equilibrium and complementary PNP and NPN Types available

Marking: Numeral for Type No. For PNP, (-) sign is omitted.

Type No (): Main use *: (LF) general purpose Amp)	Pack- age	Absolute Maximum Ratings/Ta=25°C				Electrical Characteristics/Ta=25°C							Chips Used
		V _{CE0} (V)	V _{CEO} (V)	I _C (mA)	P _C lunit (mW)	V _{CE} /I _C (V)/(mA)	h _{FE}	I _C /I _B (mA)	V _{CE(sat)} typ (V)	V _{CE} /I _C (V)/(mA)	f _T typ (MHz)		
*FC103(PNP)/FC104(NPN) *FC153(PNP+NPN)	CP5	55	50	150		6/1	160-600	50/5	0.11/0.08	0.4	6/10	180/200	A1622/C4211X2 A1781XC4639X1
*FC101(PNP)/FC102(NPN) FC117(PNP)(High curre- FC118(NPN)(nt SW) FC119(NPN)(HF general) FC120(NPN) amp) *FC122(PNP/NPN) FC139(NPN)(High hFE) FC140(NPN)(High speed SW) *FC141(NPN) FC149(PNP)(High hFE) FC150(PNP)(High hFE)- (NPN)- FC151(PNP)(HF general) FC152(NPN)(HF general) FC154(NPN)(High speed SW) (PNP)- FC155(PNP)(Low current (PNP) circuit)	CP6	55 20 20 30 25 55 60 40 55 30 30 60 20 25 25 20	50 15 15 20 20 50 50 15 50 25 25 50 15 15 15 15	150 500 500 30 30 150 100 200 150 150 150 100 50 50 50 50	200	6/1 2/10 2/10 6/1 6/1 6/1 5/10 1/10 6/1 5/1 5/1 5/10 10/5 10/5 10/5 2/100 2/10	160-600 160-560 160-560 80-200 80-200 160-600 800-3200 90-240 160-600 500-1500 500-1200 800-3200 20-100 60-200 60-200 20-100 100min 160-560	50/5 5/0.5 5/0.5 -	0.11/0.08 15m 15m -	0.4 35m 30m -	6/10 2/50 2/50 6/1 6/4 6/10 10/10 10/10 6/10 10/10 10/10 10/10 10/5 10/10 10/5 10/5 150 400	180/200 400 300 320 750 180/200 200 750 200 210 210 200 3G 3G 3G 3G 150 400	A1622/C4211X2 A1745X2 A1622/C4211X2 C4555X2 C2814X2 C3142X2 A1781/C4639X1 C3689X2 C4452X2 C4639X2 A1813X2 A1813X1 C4413X1 A1669X2 C4270X2 C4270X1 A1669X1 TR with built-in resistances + low saturation voltage TR.

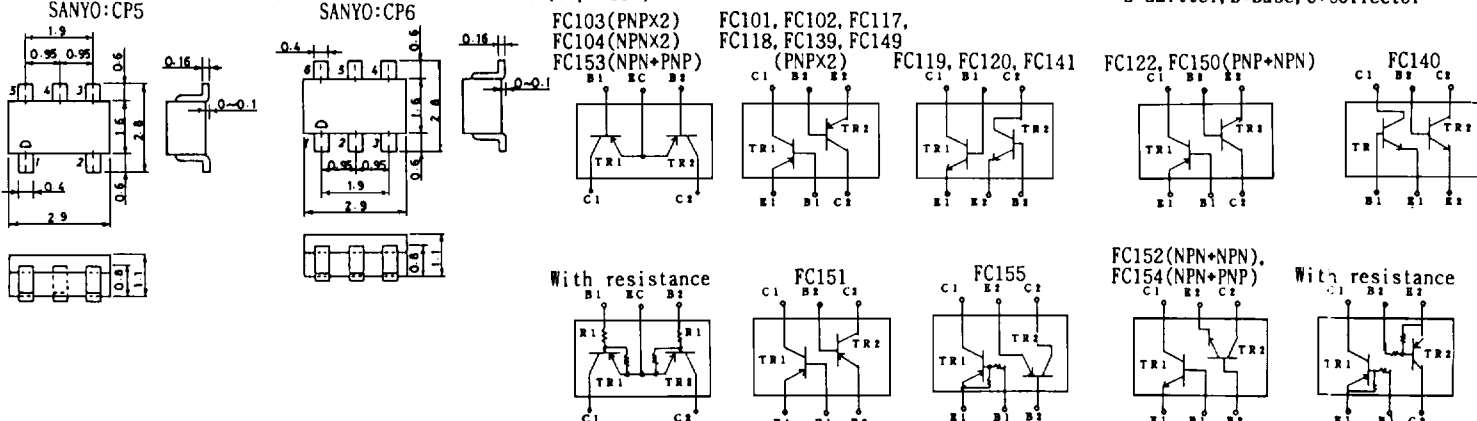
Transistors with Resistance

Marking: Numeral for Type No. For PNP, (-) sign is omitted.

Type No PNP / NPN	Pack- age	Absolute Maximum Ratings/Ta=25°C			Electrical Characteristics/Ta=25°C						Resist- ance (KΩ)	Chip Used PNP / NPN
		V _{CE0} V _{CEO} (V)	I _C (mA)	P _C lunit (mW)	V _{CE} (V)	I _C (mA)	h _{FE} min	I _C (mA)	I _B (mA)	V _{CE(sat)} typ (V)		
FC105 / FC106 FC109 / FC110 FC113 / FC114 FC123 / FC124 FC127 / FC128 FC131 / FC132 FC135 / FC136 FC147 / FC148	CP6				5 5 10 10 10 5 10 10	50 50 50 100 100 70 100 70	50 50 10 5 10 70 10 10	5 10 10 5 10 10 10 10	0.25 0.5 0.5 0.25 0.5 0.5 0.5 0.5		47/47 22/22 10/10 47/- 10/- 10/47 4.7/- -/22	A1341/C3395X2 A1342/C3396X2 A1344/C3398X2 A1508/C3898X2 A1496/C3859X2 A1563/C4047X2 A1510/C3900X2 A1573/C4069X2
FC107 / FC108 FC111 / FC112 FC115 / FC116 FC125 / FC126 FC129 / FC130 FC133 / FC134 FC137 / FC138 FC121 / FC144 FC142 / FC143 FC145 / FC146	CP5	50	100	200	5 5 10 10 10 5 10 10 10 10 5	50 50 50 100 100 70 100 50 50 50 70	50 50 10 5 10 70 10 10 10 10 70	5 10 10 5 10 10 10 10 10 10 5	0.25 0.5 0.5 0.25 0.5 0.5 0.5 0.5 0.5 0.5 0.5	0.1 0.3 47/47 22/22 10/10 47/- 10/- 10/47 4.7/- 2.2/10 4.7/10 4.7/47	A1341/C3395X2 A1342/C3396X2 A1344/C3398X2 A1508/C3898X2 A1496/C3859X2 A1563/C4047X2 A1510/C3900X2 A1653/C4360X2 A1597/C4146X2	

Case Outlines(unit:mm), Electrical Connection (Top View)

E: Emitter, B: Base, C: Collector



These specifications are subject to change without notice.

Next page.