



Non-Shorting Dust Cap for N Female

TECHNICAL DATA SHEET

PE6116

Non-Shorting Dust Cap for N Female

Configuration

Connector	N Female Non-Shorting
Chain Option	No Chain

Mechanical Specifications

Size

Length, in [mm]	0.69 [17.53]
Width, in [mm]	0.635 [16]

Connector

Type	N Female Non-Shorting
Body Material and Plating	Brass, Nickel

Compliance Certifications (visit www.Pasternack.com for current document)

RoHS Compliant	Yes
----------------	-----

Plotted and Other Data

Notes:	Values at 25 °C, sea level
--------	----------------------------

Non-Shorting Dust Cap for N Female from Pasternack Enterprises has same day shipment for domestic and International orders. Our RF, microwave and fiber optic products maintain a 99% availability and are part of the broadest selection in the industry.

Click the following link (or enter part number in "SEARCH" on website) to obtain additional part information including price, inventory and certifications: [Non-Shorting Dust Cap for N Female PE6116](#)

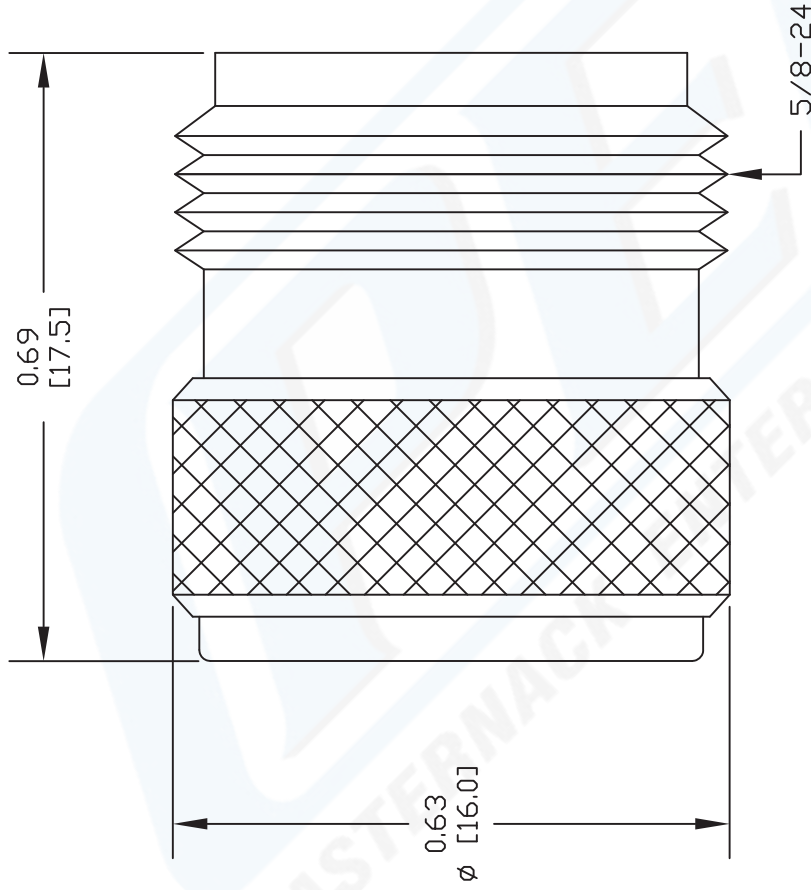
URL: <http://www.pasternack.com/50-ohm-n-female-non-shorting-cap-pe6116-p.aspx>

The information contained in this document is accurate to the best of our knowledge and representative of the part described herein. It may be necessary to make modifications to the part and/or the documentation of the part, in order to implement improvements. Pasternack reserves the right to make such changes as required. Unless otherwise stated, all specifications are nominal.



PE6116 CAD Drawing

Non-Shorting Dust Cap for N Female



NOTES:
 1. UNLESS OTHERWISE SPECIFIED ALL DIMENSIONS ARE NOMINAL.
 2. ALL SPECIFICATIONS ARE SUBJECT TO CHANGE WITHOUT NOTICE AT ANY TIME.
 3. DIMENSIONS ARE IN INCHES [mm].

DWG TITLE
PE6116

FSCM NO. 53919

271

SIZE A

SCALE N/A

CAD FILE 071602

PE PASTERNAK®
 Pasternack Enterprises, Inc.
 P.O. Box 16759 | Irvine | CA | 92623
Phone: (949) 261-1920 | **Fax:** (949) 261-7451
Website: www.pasternack.com | **E-Mail:** sales@pasternack.com