

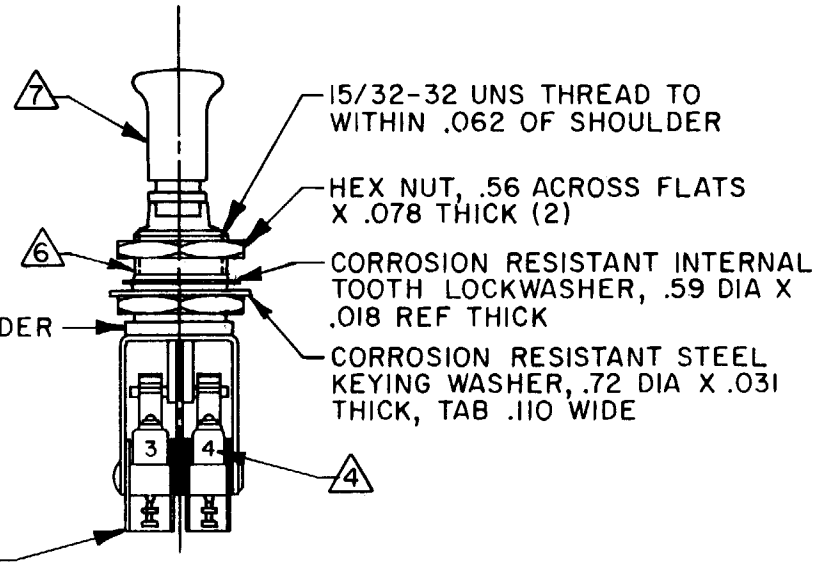
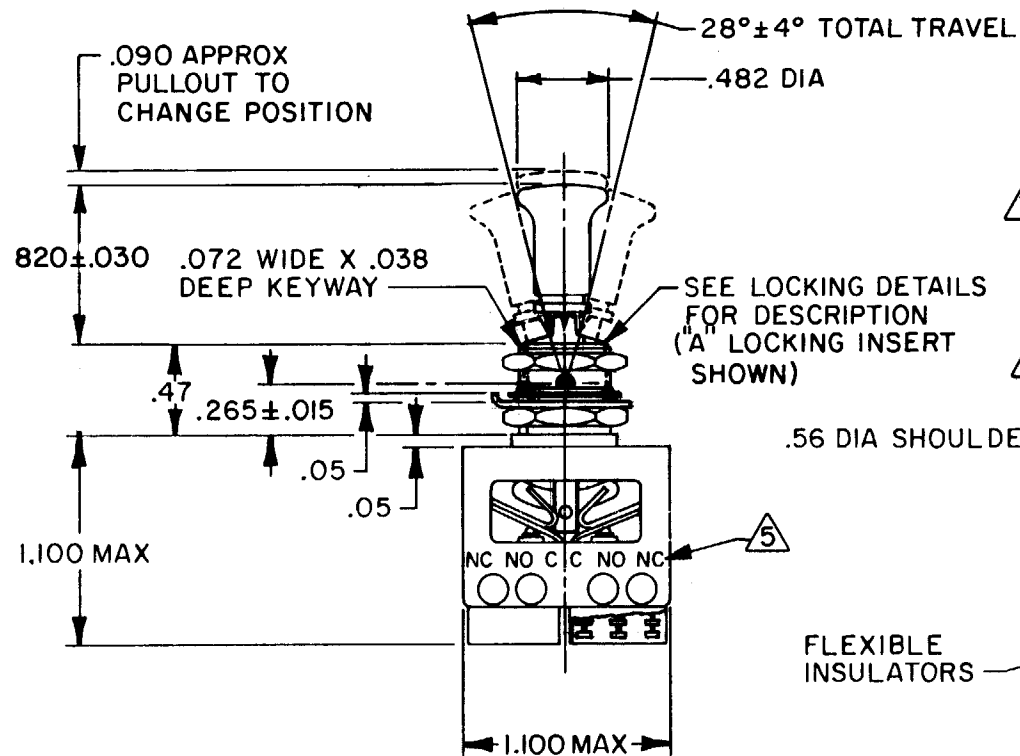
MICRO SWITCH
 FREEPORT, ILLINOIS, U.S.A.
 A DIVISION OF HONEYWELL
 FED. MFG. CODE 91929

**ASSEMBLY -
 TOGGLE SWITCH**

CATALOG LISTING
64AT59 SERIES
CHART 2

CATALOG LISTING ⁸	KEYWAY POSITION		CENTER POSITION		OPPOSITE KEYWAY POSITION		RECOMMENDED LOCKING COMBINATIONS
	C-NC	C-NO	C-NO	C-NC	C-NC	C-NO	
64AT59-1	1,2	3,4	NONE	ALL	3,4	1,2	A,B,D,E,F,G,H,J,K,L,M,N,P
64AT59-3	1,2	3,4	NONE	NONE	3,4	1,2	D,F,G
64AT59-5	1,2 *	3,4 *	NONE	ALL	3,4	1,2	N,K
64AT59-7	1,2 *	3,4 *	NONE	ALL	3,4 *	1,2 *	E,L,N
64AT59-514	1,2	3,4	NONE	ALL	3,4 *	1,2 *	B,E,G,L,N,P

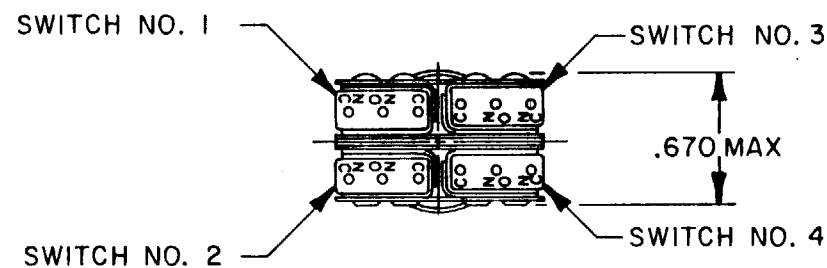
* ASTERISK DENOTES MOMENTARY POSITION



"A" LOCKED IN THREE POSITIONS	"B" LOCKED IN CENTER AND EXTREME POSITION (KEYWAY SIDE)	"D" LOCKED OUT OF CENTER POSITION	"E" LOCKED IN CENTER POSITION
"F" LOCKED IN EXTREME POSITION (OPPOSITE KEYWAY)	"G" LOCKED IN EXTREME POSITION (KEYWAY SIDE)	"H" LOCKED OUT OF CENTER AND EXTREME POSITION (KEYWAY SIDE)	"J" LOCKED OUT OF CENTER AND EXTREME POSITION (OPPOSITE KEYWAY)
"K" LOCKED IN CENTER AND EXTREME POSITION (OPPOSITE KEYWAY)	"L" LOCKED OUT OF EXTREME POSITION (KEYWAY SIDE)	"M" LOCKED OUT OF AND INTO EXTREME POSITION (OPPOSITE KEYWAY)	"N" LOCKED OUT OF EXTREME POSITION (OPPOSITE KEYWAY)
			"P" LOCKED OUT OF AND INTO EXTREME POSITION (KEYWAY SIDE)

NOTES

- 1 - UNIT INCLUDES "SX" TYPE BASIC SWITCH (4) (MEETS REQUIREMENTS OF MIL-S-6743)
- 2 - SWITCHES DO NOT NECESSARILY OPERATE SIMULTANEOUSLY
- 3 - TERMINALS ARE PLATED FOR SOLDERING
- 4 SWITCH NUMBERS STAMPED ON END OF BASIC SWITCHES
- 5 TERMINAL DESIGNATION STAMPED ON BOTH SIDES OF UNIT
- 6 DULL FINISH ON BUSHING
- 7 MATTE FINISH
- 8 SUFFIX LETTER MUST BE ADDED FOR DESIRED TYPE TOGGLE LOCKING (SEE CHART FOR RECOMMENDED LOCKING COMBINATIONS)



M 64AT59 SERIES CHART 2

REPLACES
RELEASE NO. PR-15588

DRAWING NUMBER

ISSUE

4

CHECK

REVISIONS

A	PR-15588	WJK	29 APR 87
B	072702	LJF	7 JUN 92
C	76518	TSM	11 JAN 94

CHECK

MAM

30 APR 87

CHECK

DRAWN

WJK

29 APR 87

FO-5285 1-B

THIS DRAWING COVERS A PROPRIETARY ITEM AND IS THE PROPERTY OF MICRO SWITCH, A DIVISION OF HONEYWELL. THIS DRAWING IS NOT TO BE COPIED OR USED WITHOUT THE APPROVAL OF MICRO SWITCH.

CHARACTERISTICS
 PULLOUT FORCE ----- 3 LB MIN-5 LB MAX

ELECTRICAL DATA
 CONTACT ARRANGEMENT
 S P D T (4)

SCALE FULL			
DO NOT SCALE PRINT			
TOLERANCES			
APPLY TO DESIGN UNITS. CONVERSIONS ARE ONLY FOR REFERENCE. UNLESS NOTED, TOLERANCES ARE:			
DIM.	TOL.	DIM.	TOL.
mm	mm/in	in	mm/in
NO PLACES	X	1/16	X X
ONE PLACE	X X	0.4/0.18	X X X
TWO PLACES	X X X	0.12/0.06	X X X X
THREE PLACES	X X X X	0.12/0.06	X X X X X
ANGLES			
SI METRIC		US CUSTOMARY	
<input type="checkbox"/>		<input checked="" type="checkbox"/>	
THIRD ANGLE PROJECTION			
WEIGHT .09 LB EST			

LOAD	ELECTRICAL RATINGS		
	SEA LEVEL		50,000 FT
	28 Vdc (AMPERES)	115 Vac, 60 Hz (AMPERES)	28 Vdc (AMPERES)
RESISTIVE	7	7	4
INDUCTIVE	4	7	2.5