

## 4-WAY MOMENTARY TOGGLE WITH TACTILE RESPONSE

Tactile switches remain a favorite among design engineers because the positive detent indicates circuit transfer to the operator. The T4-T toggle switch provides a 4-way momentary toggle action with detent providing a positive click action. The T4-T series provides Commercial and Military grade switching with a positive click action, ideal for grip applications in aircraft and off-road equipment.

### Features:

- **Positive detent**
- **4-way momentary toggle action**
- **Positive click action**
- **Low level switching**
- **Water resistant per MIL-STD-810F; method 506.4, procedure 3 (drip)**
- **Available in Commercial & Military grades**
- **Variety of button styles & colors available**



### Standard Characteristics/Ratings:

#### ELECTRICAL RATINGS:

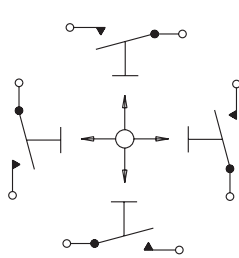
Load	Sea Level @ 28VDC
Resistive	2A
Inductive	1A
DVV	1050Vrms
Low Level	10mA @ 30mV

<b>Electrical Life:</b>	100,000 cycles
<b>Mechanical Life:</b>	500,000 cycles
<b>Seal:</b>	Water resistant per MIL-STD-810F, method 506.4, procedure 3 (drip)
<b>Operating Temp Range:</b>	-55°C to +85°C
<b>Operating Force:</b>	0.75 lb. +/- 0.25 lb.
<b>Overtravel:</b>	1.5° min
<b>Pretravel:</b>	9.5° max
<b>Return Point:</b>	4° min

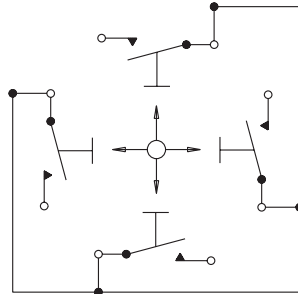
#### MATERIALS:

<b>Case:</b>	Glass filled polyester black
<b>Button:</b>	Nylon
<b>Terminals:</b>	Silver
<b>Mounting Hardware:</b>	None provided

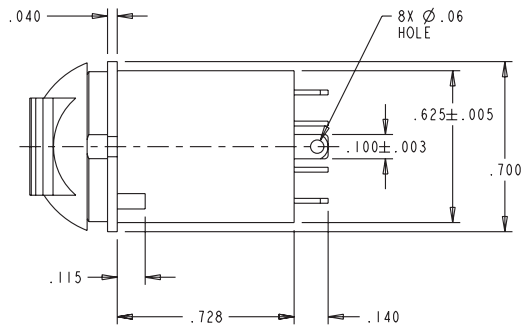
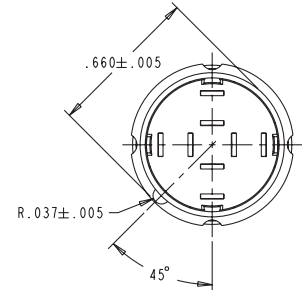
## 4-WAY MOMENTARY TOGGLE WITH TACTILE RESPONSE



SPST-NO  
4 WAY  
SCHEMATIC



SPST-NO  
4 WAY WITH JUMPER  
SCHEMATIC



(2-Way Jog Button Shown)

### T4-T PART NUMBER CODE

**T4-T**      **X**  
Series      Grade  
T4-T 4-Way      C. Commercial  
M. Military

**X**  
Button Style  
A. 2-Way Jog  
B. Tall Jog  
C. Rocker  
D. Cone  
E. LRUD Hat  
F. IOUD Hat  
G. Hat  
H. Stadium  
J. Castle  
K. 4-Way Jog  
L. Inverse Hat

**X**      **X**      **X**  
Case Style      Seal  
3. Press Fit      3. Unsealed

**X**  
Current Rating  
1. Std.  
2. Low Level  
3. Std. With Internal Jumper  
4. Low Level With Internal Jumper

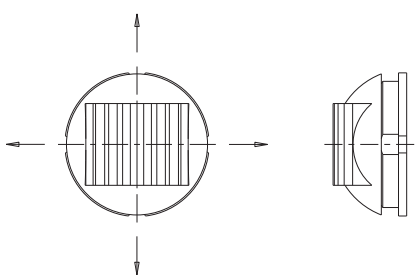
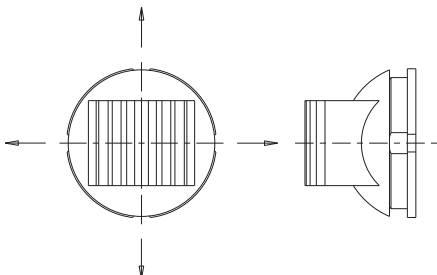
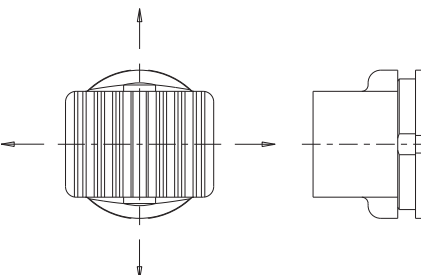
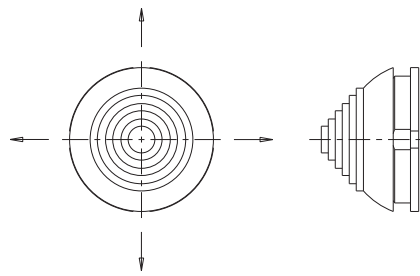
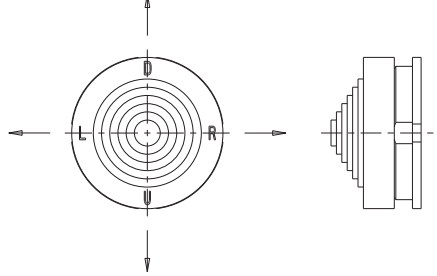
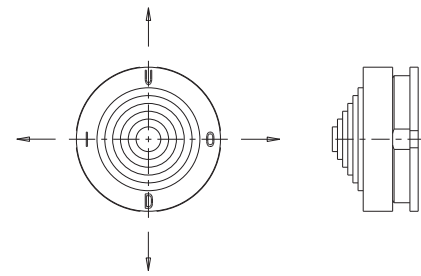
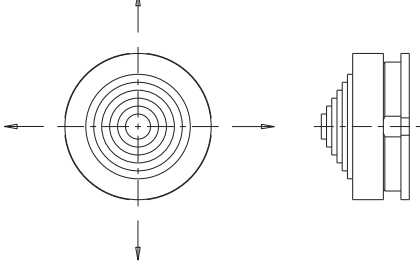
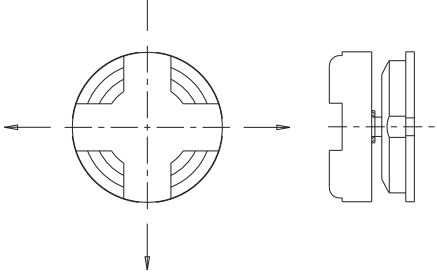
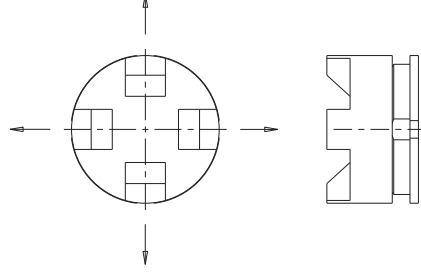
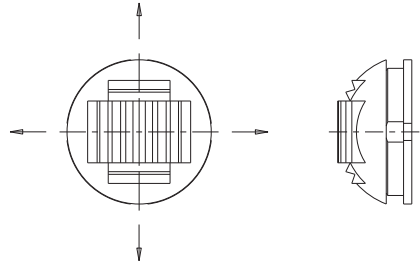
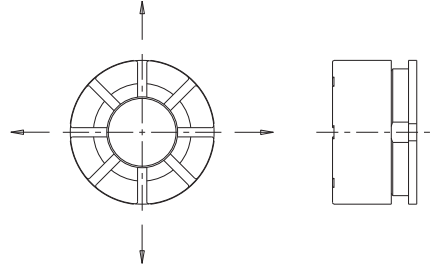
**Button Color\***  
1. Red  
2. Black  
8. Gray

\* Contact factory for additional colors.

# T4-T BUTTON STYLES

**T4-T**  
TACTILE  
MINI TRIM

4-WAY MOMENTARY TOGGLE WITH TACTILE RESPONSE

<p><b>A - 2-WAY JOG</b></p> 	<p><b>B - TALL JOG</b></p> 	<p><b>C - ROCKER</b></p> 
<p><b>D - CONE</b></p> 	<p><b>E - LRUD HAT</b></p> 	<p><b>F - IOUD HAT</b></p> 
<p><b>G - HAT</b></p> 	<p><b>H - STADIUM</b></p> 	<p><b>J - CASTLE</b></p> 
<p><b>K - JOG</b></p> 	<p><b>L - INVERSE H AT</b></p> 	

TRIM SWITCHES