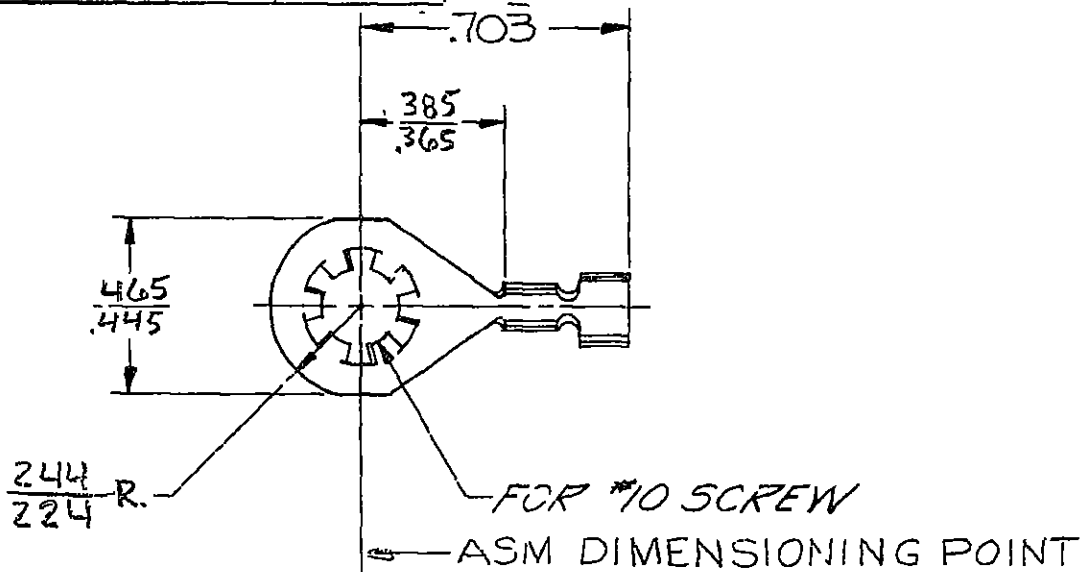


PACKARD ELECTRIC DIVISION  
 GENERAL MOTORS CORPORATION  
 WARREN, OHIO

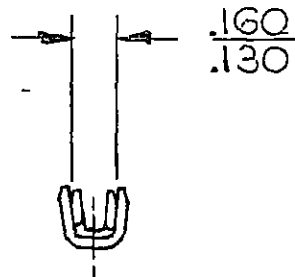
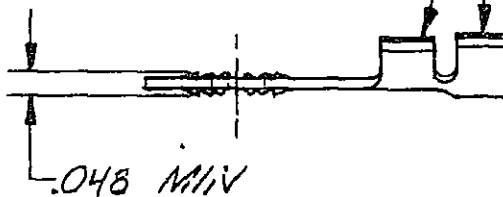
D

DO NOT SCALE

THIS DRAWING AND DESIGN HEREON CONSTITUTE A PROPRIETARY DESIGN OF PACKARD ELECTRIC DIVISION AND IS NOT TO BE DUPLICATED OR REPRODUCED WITHOUT AUTHORITY OF PACKARD ELECTRIC DIVISION



INSULATION WINGS FOR  
 2.76MM MAX. INSUL. DIA.  
 CONDUCTOR WINGS FOR  
 0.8-0.5 MM<sup>2</sup> CABLE



C02D1712

OUTLINE DWG.

PART NO

2977971

DATE	SYM	REVISION RECORD	C/N NO
15-06-79	-	REDRAWN	
		GBL REVISED TO METRIC	70999
05NO84	-	DIM. .048 MIN. WAS	
		.052 MIN.	93056
05MR87	-	REVISED DIMS. 3 PLCS.	112175

CODE NO **6900** TOLERANCE UNLESS OTHERWISE SPECIFIED  
 DECIMAL ± .010  
 FRACTIONAL ±  
 ANGULAR ±

DWG DATE **5-10-63** SCALE **NONE** DR **K. COPE**

ROUTING DEPT OUTST REFERENCE CK **Dist 5-20** APPR

APPR **Loward** 5-21-63 APPR **R O Harmon**

2984119 "D" SIZE - SHT 1 MATERIAL SPEC **.0320 THK SAE CA-260 BRASS-TIN PLATED** CODE NO

NAME **TERMINAL-RING-STRAIGHT-LOCK TYPE-FOR-0.8-0.5 MM<sup>2</sup> CABLE**

PART NO **2977971** SIZE **A**

1146  
 99  
 41-A  
 83V  
 191-A  
 96FSV