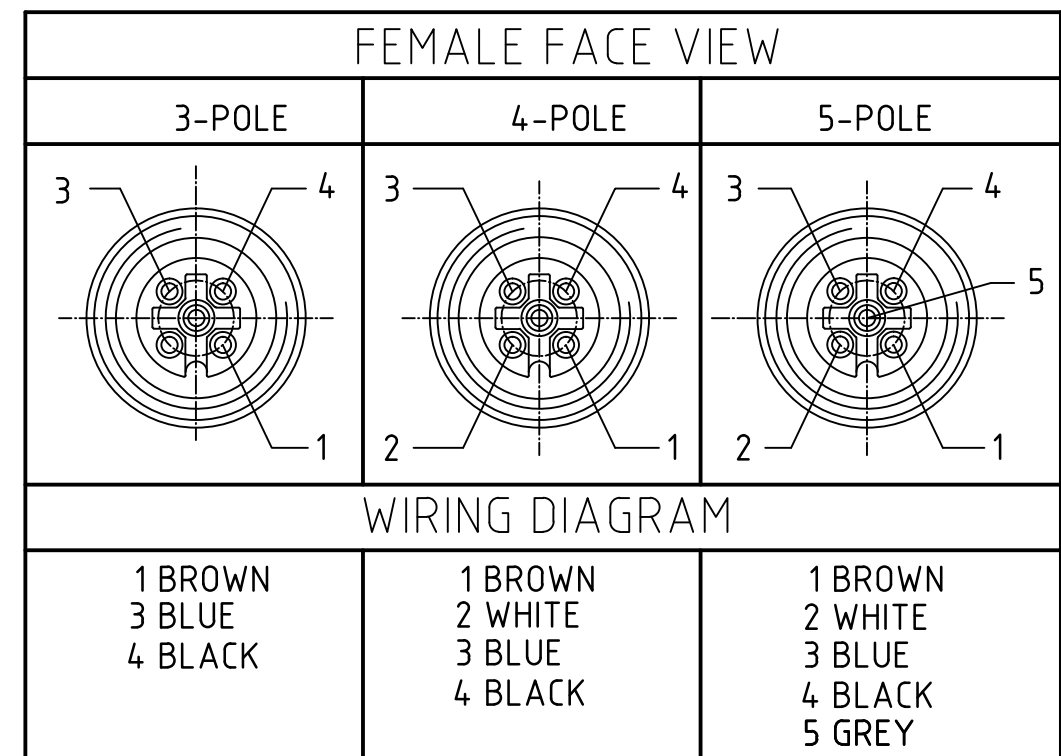


CONNECTOR SPECIFICATION:

VOLTAGE RATING	250 VAC/VDC
AMPERAGE RATING	max. 4 AMPS
PROTECTION	IP67
OPERATING TEMPERATURE	-20°C TO 105°C
UL CERTIFICATIONS	UL RECOGNIZED, FILE NO. E152210
CSA CERTIFICATIONS	CSA CERTIFIED, FILE NO. LR6837

ITEM	COMPONENT	MATERIAL	FINISH
7	LABLE	MYLAR	BLACK/YELLOW
6	O-RING	VITON	RED
5	COUPLER	BRASS	NICKEL PLATED
4	PIN CONTACT	COPPER ALLOY	GOLD OVER NICKEL
3	INSERT	NYLON	BLACK
2	OVERMOLD	TPE	YELLOW
1	CABLE- 22/3-5 (COPPER STRANDING) 3/4/5 CONDUCT. 300V	INSUL: PVC JACKET: TPE	YELLOW



PRE-RELEASE
REFERENCE
USE ONLY

CORRECT SMART PINS EC NO: WEU2011-0333 DRWN: L HARTMAN CHKD: TWOLDEGE APPR: J MURPHY 1/5/11 2010/01/25	QUALITY SYMBOLS = 0 = 0	GENERAL TOLERANCES (UNLESS SPECIFIED)		DIMENSION STYLE IN/MM	SCALE 2:1	DESIGN UNITS METRIC	THIRD ANGLE PROJECTION
		mm	INCH	DRAWN BY LSTEMMLE	DATE 2010/01/18	MICRO-CHANGE CORDSET 3/4/5-POL FE 90 SE 22/3-5 TPE YELLOW CABLE	
4 PLACES ±---	±---	RE	2010/01/20	MOLEX INCORPORATED			
3 PLACES ±---	±---	APPROVED BY NSTAUDIG	2010/01/25				DOCUMENT NO. SD-120065-035
2 PLACES ±---	±0.01	DRAFT WHERE APPLICABLE MUST REMAIN WITHIN DIMENSIONS		SEE TABLE SHEET 2	THIS DRAWING CONTAINS INFORMATION THAT IS PROPRIETARY TO MOLEX INCORPORATED AND SHOULD NOT BE USED WITHOUT WRITTEN PERMISSION		
1 PLACE ±0.3	±---	SIZE A3					
ANGULAR ± --- °							

POL	MATERIAL NUMBER	ENGINEERING NUMBER	FINISHED LENGTH
3	1200651489	803001K05M020	6.56' +3.5" -0 [2.0M +89 -0]

POL	MATERIAL NUMBER	ENGINEERING NUMBER	FINISHED LENGTH
4	1200651639	804001K05M020	6.56' +3.5" -0 [2.0M +89 -0]
4	1200651641	804001K05M040	13.12' +6.5" -0 [4.0M +165 -0]
4	1200651642	804001K05M050	16.40' +6.5" -0 [5.0M +165 -0]
4	1200651643	804001K05M060	19.69' +6.5" -0 [6.0M +165 -0]
4	1200651644	804001K05M100	32.81' +12.5" -0 [10.0M +318 -0]

PRE-RELEASE
REFERENCE
USE ONLY

SEE SHEET 1 EC NO: WEU2011-0333 DRWN: LHARTMAN CHKD: TWOLDEGE APPR: JFMURPHY 1/5/11 2010/01/25	QUALITY SYMBOLS	GENERAL TOLERANCES (UNLESS SPECIFIED)	DIMENSION STYLE	SCALE	DESIGN UNITS	THIRD ANGLE PROJECTION																	
	 	<table border="1"> <thead> <tr> <th></th> <th>mm</th> <th>INCH</th> </tr> </thead> <tbody> <tr> <td>4 PLACES</td> <td>±---</td> <td>±---</td> </tr> <tr> <td>3 PLACES</td> <td>±---</td> <td>±---</td> </tr> <tr> <td>2 PLACES</td> <td>±---</td> <td>±.01</td> </tr> <tr> <td>1 PLACE</td> <td>±0.3</td> <td>±---</td> </tr> <tr> <td colspan="3">ANGULAR ± --- °</td> </tr> </tbody> </table>		mm	INCH	4 PLACES	±---	±---	3 PLACES	±---	±---	2 PLACES	±---	±.01	1 PLACE	±0.3	±---	ANGULAR ± --- °			IN/MM	2:1	METRIC
	mm	INCH																					
4 PLACES	±---	±---																					
3 PLACES	±---	±---																					
2 PLACES	±---	±.01																					
1 PLACE	±0.3	±---																					
ANGULAR ± --- °																							
		DRAFT WHERE APPLICABLE MUST REMAIN WITHIN DIMENSIONS	<table border="1"> <thead> <tr> <th>DRAWN BY</th> <th>DATE</th> </tr> </thead> <tbody> <tr> <td>LSTEMMLE</td> <td>2010/01/18</td> </tr> <tr> <th>CHECKED BY</th> <th>DATE</th> </tr> <tr> <td>RE</td> <td>2010/01/20</td> </tr> <tr> <th>APPROVED BY</th> <th>DATE</th> </tr> <tr> <td>NSTAUDIG</td> <td>2010/01/25</td> </tr> </tbody> </table>	DRAWN BY	DATE	LSTEMMLE	2010/01/18	CHECKED BY	DATE	RE	2010/01/20	APPROVED BY	DATE	NSTAUDIG	2010/01/25	MICRO-CHANGE CORDSET 3/4/5-POL FE 90 SE 22/3-5 TPE YELLOW CABLE							
DRAWN BY	DATE																						
LSTEMMLE	2010/01/18																						
CHECKED BY	DATE																						
RE	2010/01/20																						
APPROVED BY	DATE																						
NSTAUDIG	2010/01/25																						
			SEE TABLE	MOLEX INCORPORATED																			
			SIZE A3	THIS DRAWING CONTAINS INFORMATION THAT IS PROPRIETARY TO MOLEX INCORPORATED AND SHOULD NOT BE USED WITHOUT WRITTEN PERMISSION																			
				MATERIAL NO.	DOCUMENT NO.	SHEET NO.																	
					SD-120065-035	1 OF 1																	