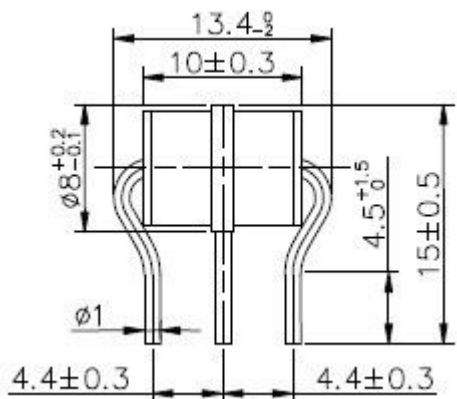


3-Electrode Gas Discharge Tubes

10KA

1: Dimension(mm)

Fast Delivery Time



3R230 Photo

2: Main Applications

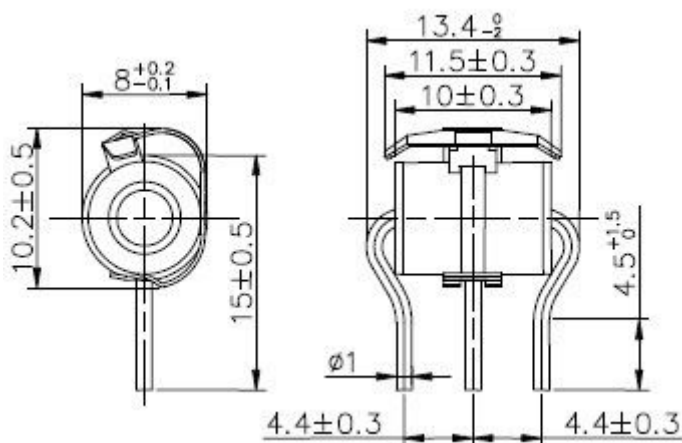
- PCI Cards protection
- Telephone/Fax/Modem protection
- single line protection
- ADSL/XDSL Splitter, Power Supply
- Surge Protection Device/Surge Protector

3: Features

- 100% Lead-Free (RoHS Compliant)
- Non-Radioactive
- Low capacitance ($\leq 1\text{pF}$)
- Fast Response-time, High Insulation Resistance.
- Small size : Ø8x10(mm)

4 Electrical Characteristics

Part Number	DC Spark-over Voltage @ 100V/S	Impulse Spark-over Voltage @100V/ μs	Impulse Spark-over Voltage @1KV/ μs	Insulation Resistance	Impulse discharge current(8/20 μs)		AC discharge current (50Hz, 1s, 10times)	Capacitance (1MHz)
	V	V	V		G Ω	10 Times		
3R75	75±20%	<500	<600	>1	10KA	15KA	10	≤ 1
3R90	90±20%	<500	<600	>1	10KA	15KA	10	≤ 1
3R150	150±20%	<500	<600	>1	10KA	15KA	10	≤ 1
3R230	230±20%	<600	<700	>1	10KA	15KA	10	≤ 1
3R250	250±20%	<600	<700	>1	10KA	15KA	10	≤ 1
3R300	300±20%	<800	≤ 900	>1	10KA	15KA	10	≤ 1
3R350	350±20%	<900	≤ 1000	>1	10KA	15KA	10	≤ 1
3R400	400±20%	<900	≤ 1000	>1	10KA	15KA	10	≤ 1
3R420	420±20%	<900	≤ 1000	>1	10KA	15KA	10	≤ 1
3R470	470±20%	<1100	≤ 1200	>1	10KA	15KA	10	≤ 1
3R500	500±20%	<1100	≤ 1200	>1	10KA	15KA	10	≤ 1
3R600	600±20%	<1200	≤ 1300	>1	10KA	15KA	10	≤ 1
3R800	800±20%	<1300	≤ 1400	>1	10KA	15KA	10	≤ 1



With Fail-safe

3R90CF

Photo

2 Electrical Characteristics

Part Number	DC Spark-over Voltage @ 100V/S	Impulse Spark-over Voltage @100V/μs	Impulse Spark-over Voltage @1KV/μs	Insulation Resistance	Impulse discharge current(8/20μs)		AC discharge current (50Hz,1s,10times)	Capacitance (1MHz)
					10 Times	1 Time		
With Fail-safe	V	V	V	GΩ			A	PF
3R75CF	75±20%	<500	<600	>1	10KA	15KA	10	≤1
3R90CF	90±20%	<500	<600	>1	10KA	15KA	10	≤1
3R150CF	150±20%	<500	<600	>1	10KA	15KA	10	≤1
3R230CF	230±20%	<600	<700	>1	10KA	15KA	10	≤1
3R250CF	250±20%	<600	<700	>1	10KA	15KA	10	≤1
3R300CF	300±20%	<800	≤ 900	>1	10KA	15KA	10	≤1
3R350CF	350±20%	<900	≤ 1000	>1	10KA	15KA	10	≤1
3R400CF	400±20%	<900	≤ 1000	>1	10KA	15KA	10	≤1
3R420CF	420±20%	<900	≤ 1000	>1	10KA	15KA	10	≤1
3R470CF	470±20%	<1100	≤ 1200	>1	10KA	15KA	10	≤1
3R500CF	500±20%	<1100	≤ 1200	>1	10KA	15KA	10	≤1
3R600CF	600±20%	<1200	≤ 1300	>1	10KA	15KA	10	≤1
3R800CF	800±20%	<1300	≤ 1400	>1	10KA	15KA	10	≤1

Packing Quantity : 100PCS

Shen Zhen HuaXinAn Electronics Co.,Ltd

sales@huaandz.com

abc0734@126.com