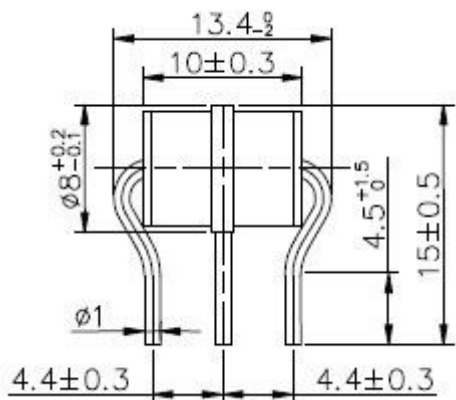


3-Electrode Gas Discharge Tubes

20KA

1: Dimension(mm)

Fast Delivery Time



3R-90 Photo

2: Main Applications

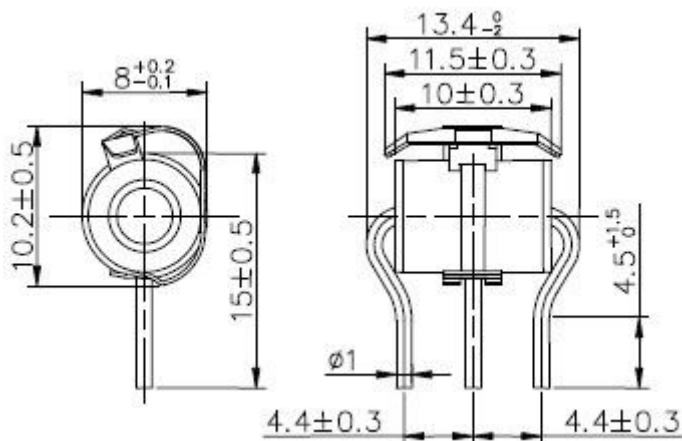
- PCI Cards protection
- Telephone/Fax/Modem protection
- single line protection
- ADSL/XDSL Splitter, Power Supply
- Surge Protection Device/Surge Protector

3: Features

- 100% Lead-Free (RoHS Compliant)
- Non-Radioactive
- Low capacitance ($\leq 1\text{pF}$)
- Fast Response-time, High Insulation Resistance.
- Small size : Ø8x10(mm)

4 Electrical Characteristics

Part Number	DC Spark-over Voltage @ 100V/S	Impulse Spark-over Voltage @ 100V/ μs	Impulse Spark-over Voltage @ 1KV/ μs	Insulation Resistance	Impulse discharge current (8/20 μs)		AC discharge current (50Hz, 1s, 10ti mes)	Capacitance (1MHz)
	V	V	V		G Ω	10 Times		
3R-75	75±20%	<500	<600	>1	20KA	25KA	20	≤ 1
3R-90	90±20%	<500	<600	>1	20KA	25KA	20	≤ 1
3R-150	150±20%	<500	<600	>1	20KA	25KA	20	≤ 1
3R-230	230±20%	<600	<700	>1	20KA	25KA	20	≤ 1
3R-250	250±20%	<600	<700	>1	20KA	25KA	20	≤ 1
3R-300	300±20%	<800	≤ 900	>1	20KA	25KA	20	≤ 1
3R-350	350±20%	<900	≤ 1000	>1	20KA	25KA	20	≤ 1
3R-400	400±20%	<900	≤ 1000	>1	20KA	25KA	20	≤ 1
3R-420	420±20%	<900	≤ 1000	>1	20KA	25KA	20	≤ 1
3R-470	470±20%	<1100	≤ 1200	>1	20KA	25KA	20	≤ 1
3R-500	500±20%	<1100	≤ 1200	>1	20KA	25KA	20	≤ 1
3R-600	600±20%	<1200	≤ 1300	>1	20KA	25KA	20	≤ 1
3R-800	800±20%	<1300	≤ 1400	>1	20KA	25KA	20	≤ 1



With Fail-safe

3R250DF Photo

2 Electrical Characteristics

Part Number	DC Spark-over Voltage @ 100V/S	Impulse Spark-over Voltage @100V/µs	Impulse Spark-over Voltage @1KV/µs	Insulation Resistance	Impulse discharge current(8/20µs)		AC discharge current (50Hz, 1s, 10ti mes)	Capacitance (1MHz)
					10 Times	1 Time		
With Fail-safe	V	V	V	GΩ			A	PF
3R75DF	75±20%	<500	<600	>1	20KA	25KA	20	≤1
3R90DF	90±20%	<500	<600	>1	20KA	25KA	20	≤1
3R150DF	150±20%	<500	<600	>1	20KA	25KA	20	≤1
3R230DF	230±20%	<600	<700	>1	20KA	25KA	20	≤1
3R250DF	250±20%	<600	<700	>1	20KA	25KA	20	≤1
3R300DF	300±20%	<800	≤ 900	>1	20KA	25KA	20	≤1
3R350DF	350±20%	<900	≤ 1000	>1	20KA	25KA	20	≤1
3R400DF	400±20%	<900	≤ 1000	>1	20KA	25KA	20	≤1
3R420DF	420±20%	<900	≤ 1000	>1	20KA	25KA	20	≤1
3R470DF	470±20%	<1100	≤ 1200	>1	20KA	25KA	20	≤1
3R500DF	500±20%	<1100	≤ 1200	>1	20KA	25KA	20	≤1
3R600DF	600±20%	<1200	≤ 1300	>1	20KA	25KA	20	≤1
3R800DF	800±20%	<1300	≤ 1400	>1	20KA	25KA	20	≤1

Packing Quantity : 100PCS

Shen Zhen HuaXinAn Electronics Co.,Ltd

sales@huaandz.com

abc0734@126.com