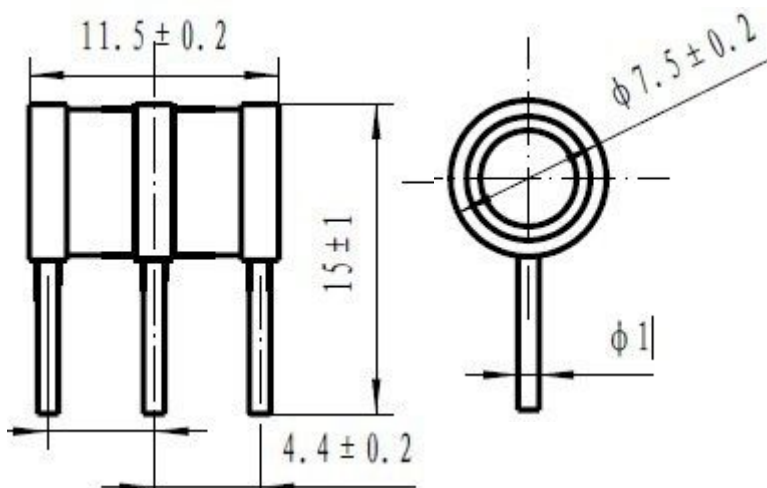


3-Electrode Gas Discharge Tubes

10KA/20KA

1: Dimension(mm)

Fast Delivery Time



3R470F Photo

2: Main Applications

- PCI Cards protection
- Telephone/Fax/Modem protection
- single line protection
- ADSL/XDSL Splitter, Power Supply
- Surge Protection Device/Surge Protector

3: Features

- 100% Lead-Free (RoHS Compliant)
- Non-Radioactive
- Low capacitance ($\leq 1\text{pF}$)
- Fast Response-time, High Insulation Resistance.
- Small size : Ø7.5x11.5(mm)

4 Electrical Characteristics

Part Number	DC Spark-over Voltage @ 100V/S	Impulse Spark-over Voltage @100V/ μs	Impulse Spark-over Voltage @1KV/ μs	Insulation Resistance	Impulse discharge current(8/20 μs)		AC discharge current (50Hz, 1s, 10times)	Capacitance (1MHz)
	V	V	V		G Ω	10 Times		
3R75F	75±20%	<500	<600	>1	10KA	15KA	10	≤ 1
3R90F	90±20%	<500	<600	>1	10KA	15KA	10	≤ 1
3R150F	150±20%	<500	<600	>1	10KA	15KA	10	≤ 1
3R230F	230±20%	<600	<700	>1	10KA	15KA	10	≤ 1
3R250F	250±20%	<600	<700	>1	10KA	15KA	10	≤ 1
3R300F	300±20%	<800	≤ 900	>1	10KA	15KA	10	≤ 1
3R350F	350±20%	<900	≤ 1000	>1	10KA	15KA	10	≤ 1
3R400F	400±20%	<900	≤ 1000	>1	10KA	15KA	10	≤ 1
3R420F	420±20%	<900	≤ 1000	>1	10KA	15KA	10	≤ 1
3R470F	470±20%	<1100	≤ 1200	>1	10KA	15KA	10	≤ 1
3R500F	500±20%	<1100	≤ 1200	>1	10KA	15KA	10	≤ 1
3R600F	600±20%	<1200	≤ 1300	>1	10KA	15KA	10	≤ 1
3R800F	800±20%	<1300	≤ 1400	>1	10KA	15KA	10	≤ 1

4 Electrical Characteristics

continued



Part Number	DC Spark-over Voltage @ 100V/S	Impulse Spark-over Voltage @100V/μs	Impulse Spark-over Voltage @1KV/μs	Insulation Resistance	Impulse discharge current(8/20μs)		AC discharge current (50Hz, 1s, 10ti mes)	Capacitance (1MHz)
	V	V	V	GΩ	10 Times	1 Time	A	PF
3R75FH	75±20%	<500	<600	>1	20KA	25KA	20	≤1
3R90FH	90±20%	<500	<600	>1	20KA	25KA	20	≤1
3R150FH	150±20%	<500	<600	>1	20KA	25KA	20	≤1
3R230FH	230±20%	<600	<700	>1	20KA	25KA	20	≤1
3R250FH	250±20%	<600	<700	>1	20KA	25KA	20	≤1
3R300FH	300±20%	<800	≤ 900	>1	20KA	25KA	20	≤1
3R350FH	350±20%	<900	≤ 1000	>1	20KA	25KA	20	≤1
3R400FH	400±20%	<900	≤ 1000	>1	20KA	25KA	20	≤1
3R420FH	420±20%	<900	≤ 1000	>1	20KA	25KA	20	≤1
3R470FH	470±20%	<1100	≤ 1200	>1	20KA	25KA	20	≤1
3R500FH	500±20%	<1100	≤ 1200	>1	20KA	25KA	20	≤1
3R600FH	600±20%	<1200	≤ 1300	>1	20KA	25KA	20	≤1
3R800FH	800±20%	<1300	≤ 1400	>1	20KA	25KA	20	≤1

Packing Quantity : 100PCS

Shen Zhen HuaXinAn Electronics Co.,Ltd

sales@huaandz.com

abc0734@126.com

2

Revised:February 25,2014

www.huaandz.com

Tel:+86-755-27465585