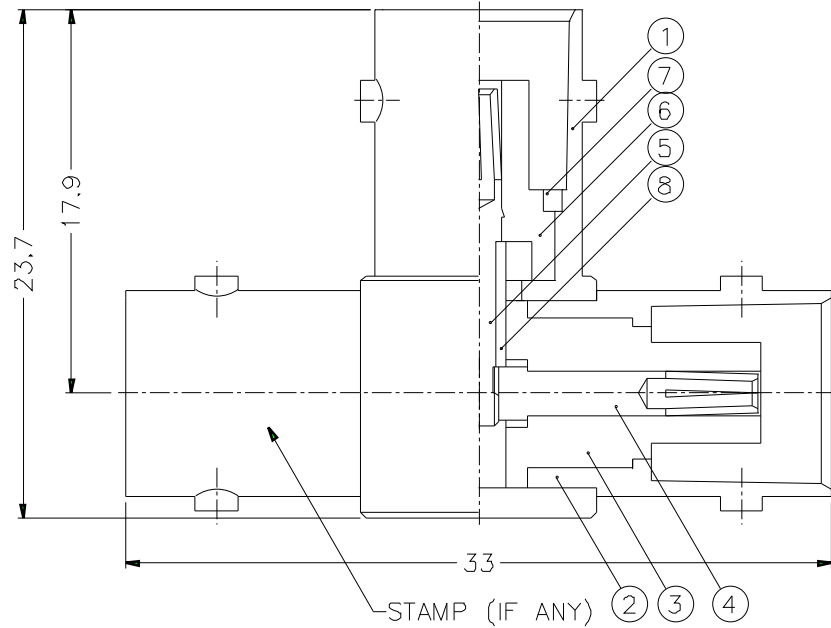


REVISIONS		
ISS	ZONE	DESCRIPTION\PER REQUEST\DATE



NOTES: FINISH (PLATING THICKNESS IN MICRO-INCHES)

1. BRASS PER QQ-B-626
2. BRASS PER QQ-B-613
3. PHOSPHOR BRONZE PER QQ-B-750
4. NICKEL PL. 100 MIN. THICK OVER COPPER STRIKE
5. GOLD PL. 3 MIN. THICK OVER NICKEL PL. 100 MIN. THICK OVER COPPER STRIKE

NO.	DESCRIPTION	MATERIAL	FINISH	Q'TY	DRAWING NO.	SCALE	3/1	ISSUE	A	FILE NO.	
8	SLEEVE	DELRIN	NATURAL	1	SL-25/17X6	DIMENSIONS ARE IN MILLIMETERS UNLESS OTHERWISE SPECIFIED TOLERANCES 0.5-6 = ±0.2 6-30 = ±0.4 30-120 = ±0.6 120-315 = ±1 315-1000 = ±1.6 1000-2000 = ±2.4					
7	LOCK RING	NOTE 2	NOTE 4	1	B7700-4						
6	INSULATOR	DELRIN	NATURAL	1	B8073A1-6-50						
5	CONTACT PIN	NOTE 3	NOTE 5	1	B8073A1-5						
4	CONTACT PIN	NOTE 3	NOTE 5	1	B7996-5						
3	INSULATOR	DELRIN	NATURAL	2	B9073A1-4-50						
2	BODY	NOTE 1	NOTE 4	2	B9073A1-3						
1	HOUSING	NOTE 1	NOTE 4	1	B7995-1						

PART NO.	B8073A1-ND3G-50
APPROVED	DATE 10-11-01'
CHECKED	DATE 10-11-01'
DRAWN	DATE 10-11-01'

Amphenol	
TITLE	BNC 'T' ADAPTOR JACK TO JACK TO JACK
DRAWING NO.	KJ-B8073A1-ND3G-50
ITEM NO.	

1	2	3	4	5	6	7	8
---	---	---	---	---	---	---	---