

MICRO SWITCH

FREERPORT ILLINOIS U S A
A DIVISION OF HONEYWELL
FED MFG. CODE 91929

SWITCH-TOGGLE

CATALOG LISTING
11TW93 SERIES

CHART 1

CATALOG LISTING
②

AVAILABLE LOCKING COMBINATIONS FOR CONFIGURATION SEE LETTERED DETAILS

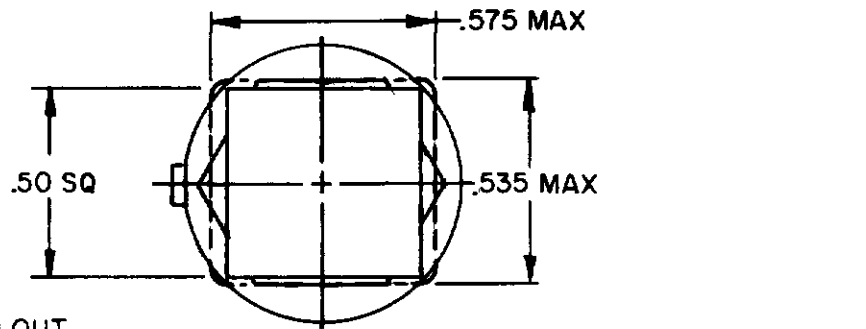
④ WITH TOGGLE LEVER IN

KEYWAY SIDE (1-2)	CENTER (1-2)	OPPOSITE KEYWAY (2-3)
-------------------	--------------	-----------------------

ELECTRICAL DATA

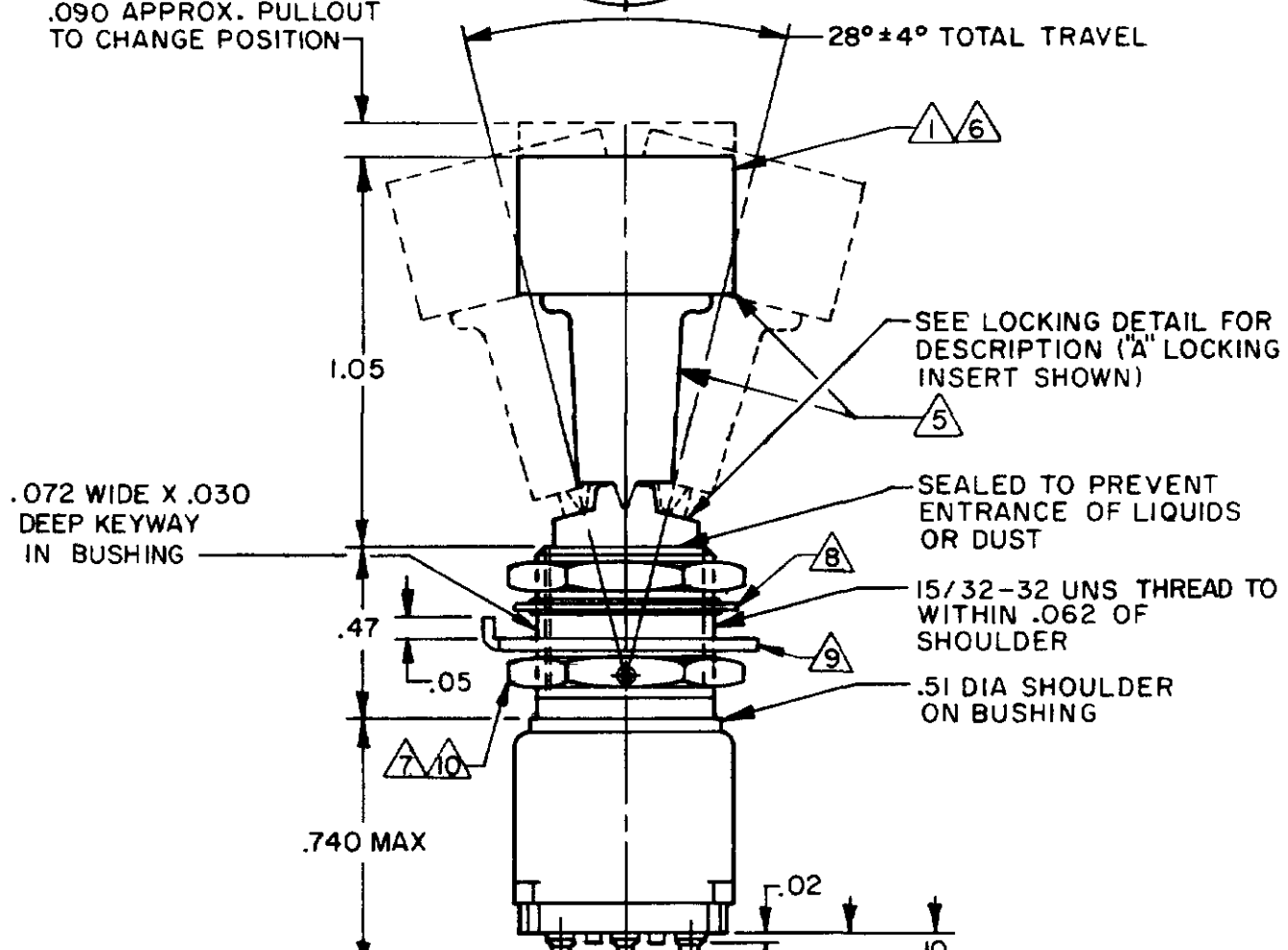
THIS DRAWING COVERS A PROPRIETARY ITEM AND IS THE PROPERTY OF MICRO SWITCH. A DIVISION OF HONEYWELL. THIS DRAWING IS NOT TO BE COPIED OR USED WITHOUT THE APPROVAL OF MICRO SWITCH

L117
5A-125 VAC
RJ Ⓢ



.090 APPROX. PULLOUT TO CHANGE POSITION

28°±4° TOTAL TRAVEL



SEE LOCKING DETAIL FOR DESCRIPTION ("A" LOCKING INSERT SHOWN)

SEALED TO PREVENT ENTRANCE OF LIQUIDS OR DUST

15/32-32 UNS THREAD TO WITHIN .062 OF SHOULDER

.51 DIA SHOULDER ON BUSHING

.072 WIDE X .030 DEEP KEYWAY IN BUSHING

THIRD ANGLE PROJECTION

SCALE 2:1

DO NOT SCALE PRINT

TOLERANCES

APPLY TO DESIGN UNITS. CONVERSIONS ARE ONLY FOR REFERENCE UNLESS NOTED TOLERANCES ARE ±

DESIGN UNITS	NO PLACES	ONE PLACE	TWO PLACES	THREE PLACES	ANGLES
SI METRIC	X	X	X	X	X
US CUSTOMARY	X	X	X	X	X

DESIGN UNITS

RAW MATERIAL-COMMERCIAL STANDARD

MICRO SWITCH STANDARDS APPLY

DIMENSIONS ARE TO BE MET BEFORE PROTECTIVE COATINGS ARE APPLIED

WEIGHT .045 LB. MAX

"A"	"B"	"D"	"E"	"F"
LOCKED IN THREE POSITIONS	LOCKED IN CENTER AND EXTREME POSITION (KEYWAY SIDE)	LOCKED OUT OF CENTER POSITION	LOCKED IN CENTER POSITION	LOCKED IN EXTREME POSITION (OPPOSITE KEYWAY)
"G"	"H"	"J"	"K"	"L"
LOCKED IN EXTREME POSITION (KEYWAY SIDE)	LOCKED OUT OF CENTER AND EXTREME POSITION (KEYWAY SIDE)	LOCKED OUT OF CENTER AND EXTREME POSITION (OPPOSITE KEYWAY)	LOCKED IN CENTER AND EXTREME POSITION (OPPOSITE KEYWAY)	LOCKED OUT OF EXTREME POSITION (KEYWAY SIDE)
"M"	"N"	"P"		
LOCKED OUT OF AND INTO EXTREME POSITION (OPPOSITE KEYWAY)	LOCKED OUT OF EXTREME POSITION (OPPOSITE KEYWAY)	LOCKED OUT OF AND INTO EXTREME POSITION (KEYWAY SIDE)		

NOTES

- ① FURNISHED UNASSEMBLED
- ② SUFFIX MUST BE ADDED FOR DESIRED TYPE TOGGLE LOCKING
- ③ - TERMINALS ARE PLATED FOR SOLDERING
- ④ APPLIES ONLY TO "ON" AND "MOMENTARY ON" POSITIONS
- ⑤ LUSTERLESS WHITE IN ACCORDANCE WITH FED. STD NO. 595 COLOR NO. 37875
- ⑥ REMOVABLE LEVER CAP HELD IN PLACE BY A PLASTIC LOCKING INSERT IN CAP THREADS
- ⑦ MATTE FINISH
- ⑧ CORROSION RESISTANT INTERNAL TOOTH LOCK WASHER .59 DIA X .018 REF THICK
- ⑨ CORROSION RESISTANT STEEL KEYING WASHER .72 DIA X .040 THICK, TAB .110 WIDE
- ⑩ HEX NUT .56 ACROSS FLATS X .078 THICK (2)

CATALOG LISTING 11TW93 SERIES CHART 1
 PAGE 1 OF 1
 ISSUE 2
 REVISIONS
 A 203868
 C.S.L.
 18 SEP 01
 DRAWN RASTER
 L.J.F. 10 JUN 94 CHECK K.H.G. 23 JUN 94
 11TW93 SERIES
 REPLACES NO CO-78465
 CHECK

MICRO SWITCH

FREEDPORT ILLINOIS U S A
A DIVISION OF HONEYWELL
FED MFG. CODE 91929

SWITCH-TOGGLE

CATALOG LISTING
11TW93 SERIES

CHART 1

CATALOG LISTING
②

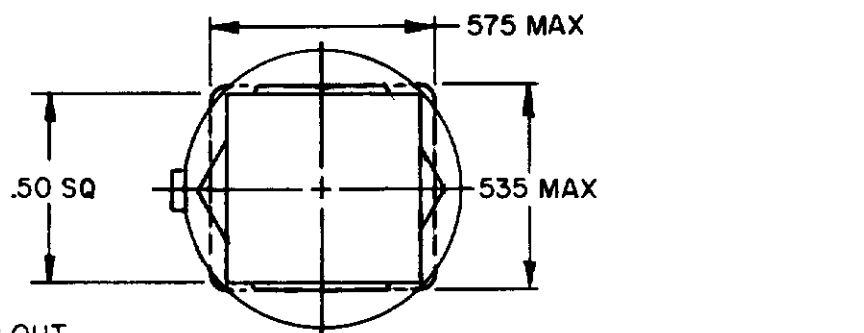
AVAILABLE LOCKING COMBINATIONS FOR CONFIGURATION SEE LETTERED DETAILS

CIRCUIT MADE WITH TOGGLE LEVER IN
KEYWAY SIDE (1-2, 4-5) CENTER (1-2, 4-5) OPPOSITE KEYWAY (2-3, 5-6)

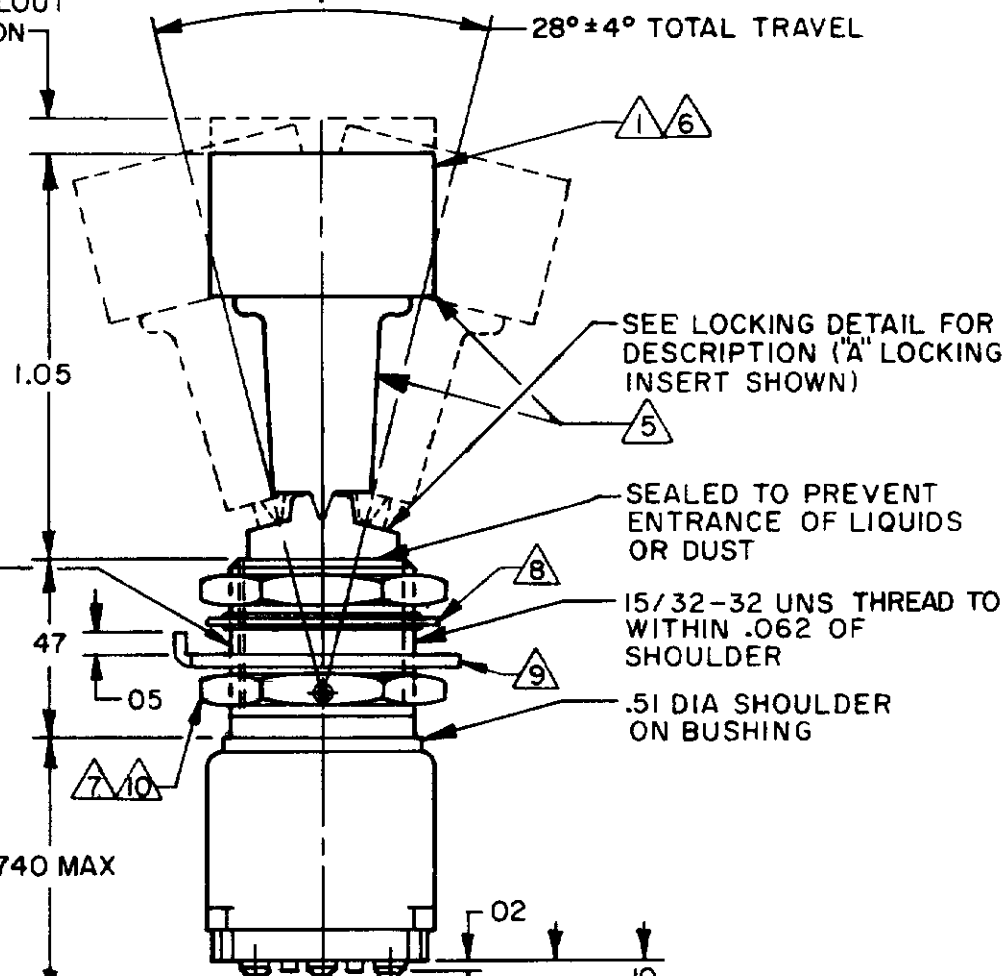
ELECTRICAL DATA

THIS DRAWING COVERS A PROPRIETARY ITEM AND IS THE PROPERTY OF MICRO SWITCH, A DIVISION OF HONEYWELL. THIS DRAWING IS NOT TO BE COPIED OR USED WITHOUT THE APPROVAL OF MICRO SWITCH

L117
5A-125 VAC
R1 Ⓢ

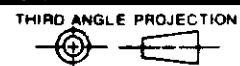


.090 APPROX. PULLOUT TO CHANGE POSITION



.072 WIDE X .030 DEEP KEYWAY IN BUSHING

15/32-32 UNS THREAD TO WITHIN .062 OF SHOULDER
.51 DIA SHOULDER ON BUSHING



SCALE 2:1

DO NOT SCALE PRINT

TOLERANCES

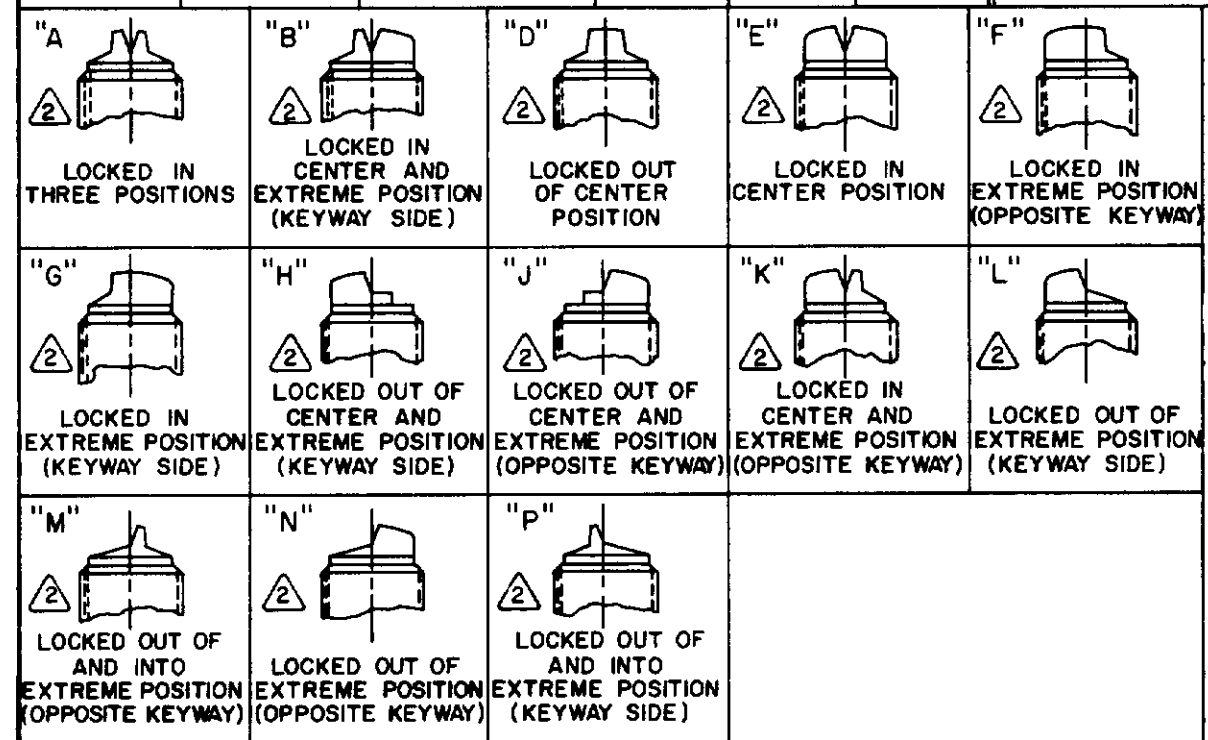
APPLY TO DESIGN UNITS. CONVERSIONS ARE ONLY FOR REFERENCE UNLESS NOTED TOLERANCES ARE 3

NO PLACES	DI	TOL.	DI	TOL.
	mm	mm/in	in	mm/in
ONE PLACE	X	1/64	X	0.003
TWO PLACES	X,X	0.4/018	X,X	0.001/018
THREE PLACES	X,XX	0.18/008	X,XX	0.0005/018
ANGLES				

DESIGN UNITS: SI METRIC, US CUSTOMARY
RAW MATERIAL—COMMERCIAL STANDARD
MICRO SWITCH STANDARDS APPLY
DIMENSIONS ARE TO BE MET BEFORE PROTECTIVE COATINGS ARE APPLIED

WEIGHT .045 LB. MAX

CATALOG LISTING	AVAILABLE LOCKING COMBINATIONS FOR CONFIGURATION SEE LETTERED DETAILS	KEYWAY SIDE (1-2, 4-5)	CENTER (1-2, 4-5)	OPPOSITE KEYWAY (2-3, 5-6)
11TW93-1	A,B,D,E,F,G,H,I,K,L,M,N,P	ON	OFF	ON
11TW93-2	D, F, G	OFF	NONE	ON
11TW93-3	D, F, G	ON	NONE	ON
11TW93-2I	E, F, K, M	NONE	OFF	ON
11TW93-3I	E	NONE	ON	ON
11TW93-4	F	MOM OFF	NONE	ON
11TW93-5	E, F, K, L, M, N	MOM ON	OFF	ON
11TW93-6	F	MOM ON	NONE	OFF
11TW93-7	E, L, N	MOM ON	OFF	MOM ON
11TW93-8	F	MOM ON	NONE	ON
11TW93-5I	E	NONE	ON	MOM ON
11TW93-6I	E	MOM ON	OFF	NONE



- NOTES**
- ① FURNISHED UNASSEMBLED
 - ② SUFFIX MUST BE ADDED FOR DESIRED TYPE TOGGLE LOCKING
 - ③ - TERMINALS ARE PLATED FOR SOLDERING
 - ④ APPLIES ONLY TO "ON" AND "MOMENTARY ON" POSITIONS
 - ⑤ LUSTERLESS WHITE IN ACCORDANCE WITH FED. STD NO. 595 COLOR NO. 37875
 - ⑥ REMOVABLE LEVER CAP HELD IN PLACE BY A PLASTIC LOCKING INSERT IN CAP THREADS
 - ⑦ MATTE FINISH
 - ⑧ CORROSION RESISTANT INTERNAL TOOTH LOCK WASHER .59 DIA X .018 REF THICK
 - ⑨ CORROSION RESISTANT STEEL KEYING WASHER .72 DIA X .040 THICK, TAB .110 WIDE
 - ⑩ HEX NUT .56 ACROSS FLATS X .078 THICK (2)

CATALOG LISTING 11TW93 SERIES CHART 1
 PAGE 1 OF 1
 ISSUE M
 1
 REVISIONS
 CHECK
 10 JUN 94
 LUF
 10 JUN 94
 CHECK KFG 23
 74
 REPLACES NO CO-78465
 DRAWN
 LUF