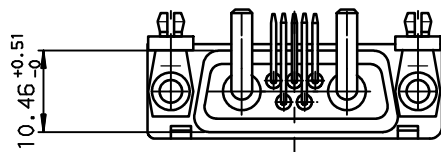
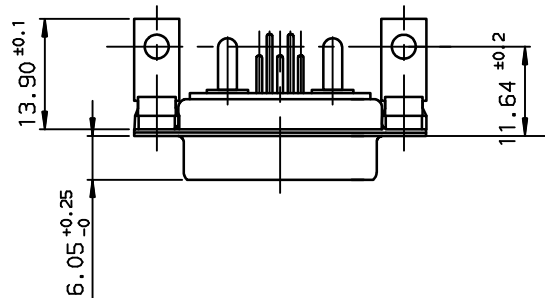
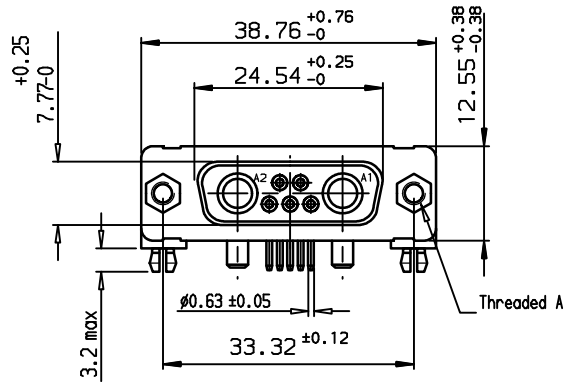


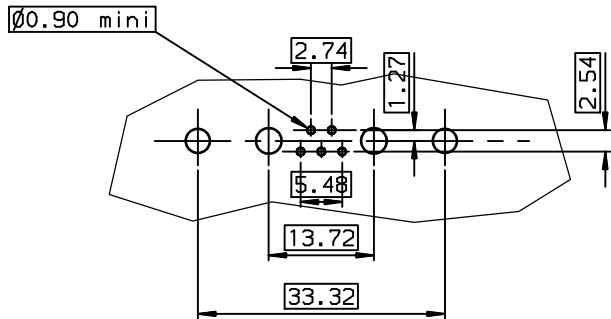


Copyright FCI.

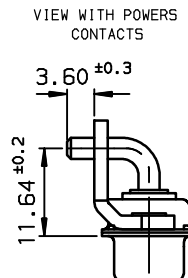
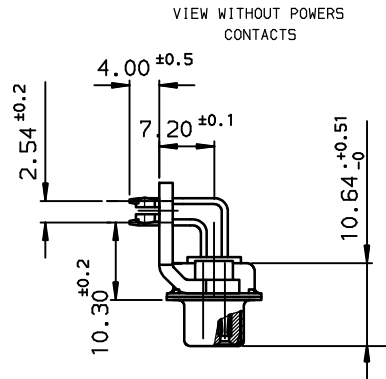
D



LAYOUT DIMENSIONS (after plating)
CONNECTOR SIDE VIEW



2



2

3

TIN LEAD PART NUMBER

DA07W2S500G30	UNC 4.40
DA07W2S500G40	UNC 4.40
DAL7W2S500G30	M3
DAL7W2S500G40	M3
PART NUMBER	Threaded A

LEAD FREE PART NUMBER

DA07W2S500G30LF	UNC 4.40
DA07W2S500G40LF	UNC 4.40
DAL7W2S500G30LF	M3
DAL7W2S500G40LF	M3
PART NUMBER	Threaded A

3

GENERAL CHARACTERISTICS AND ROHS INFORMATIONS:
SEE DRAWING C01-8639-0000

European Views

www.fciconnect.com		surface ISO 1302 ✓	tolerance std ISO 406 ISO 1101	projection mm
		TOLERANCES UNLESS OTHERWISE SPECIFIED		size A3
Dr	JARRY	1996/03/26	0.x ±0.1	Scale 1.5
Eng	PESSON	1996/03/26	0.xx ±0.1	ECN LS06-0095
Chr	LEGARE	1996/03/26	0.xxx ±0.1	Spec ref -
Appr	LEGARE	1996/03/26	Product family D-SUB	
		title SOCKET CONNECTOR RIGHT ANGLED WITH POWERS CONTACTS		Rev. D
catalog no		-		CUSTOMER sheet 1 of 1

A

B

C

D

1

4