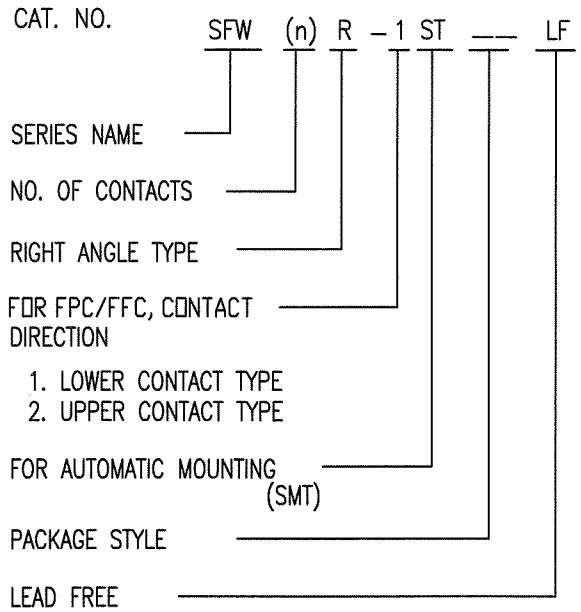




CAT. NO. & DIMENSIONS

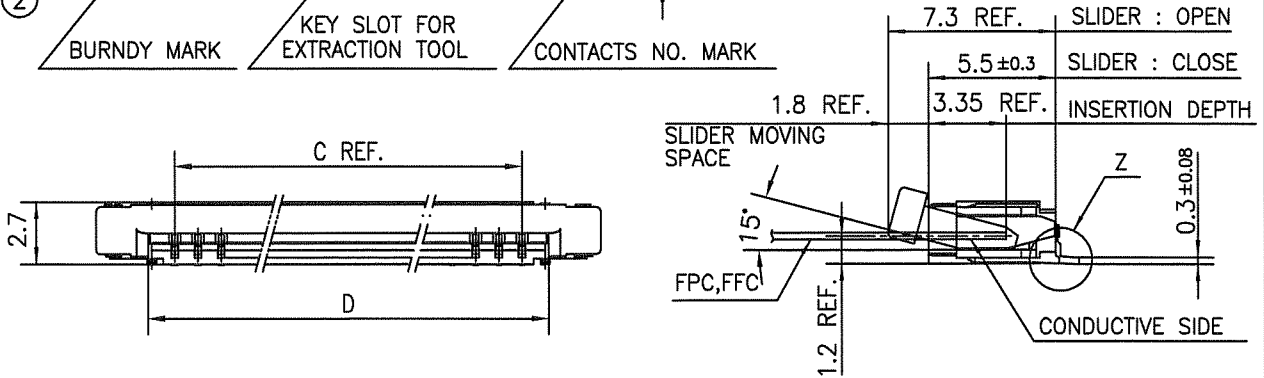
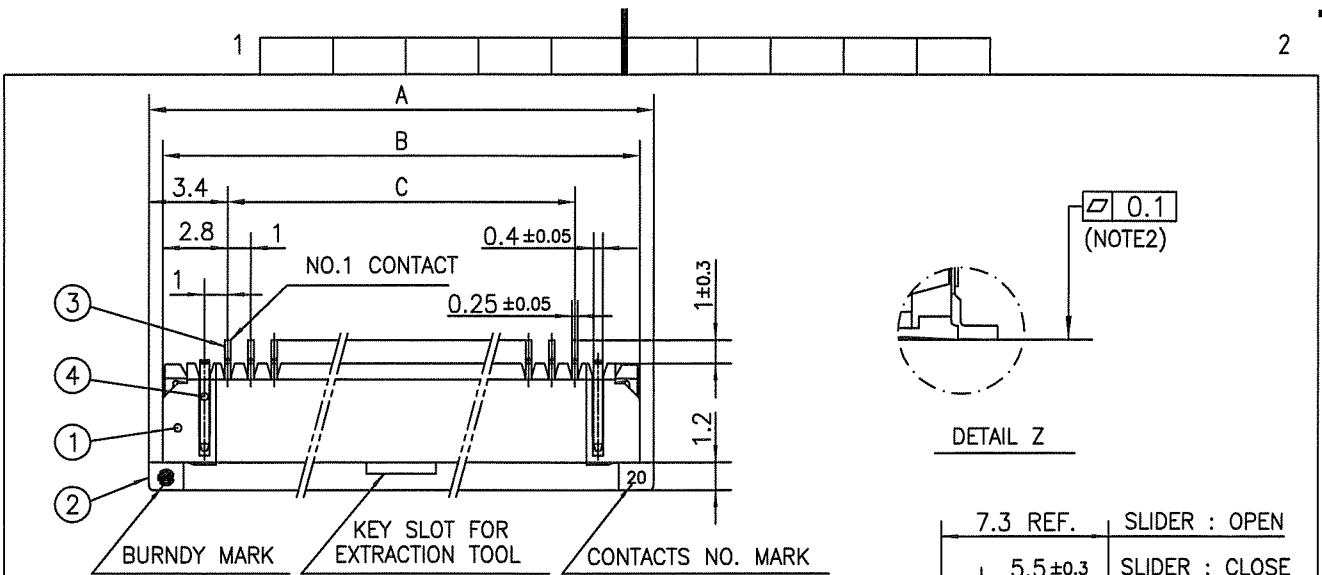
NO. OF CONTACTS (n)	CAT. NO.	DIMENSIONS (NOTE2)			
		A ± 0.2	B ± 0.2	C ± 0.2	D ± 0.1
4	SFW4R-1/2ST__LF	9.8	8.6	3.0	5.3
5	SFW5R-1/2ST__LF	10.8	9.6	4.0	6.3
6	SFW6R-1/2ST__LF	11.8	10.6	5.0	7.3
7	SFW7R-1/2ST__LF	12.8	11.6	6.0	8.3
8	SFW8R-1/2ST__LF	13.8	12.6	7.0	9.3
9	SFW9R-1/2ST__LF	14.8	13.6	8.0	10.3
10	SFW10R-1/2ST__LF	15.8	14.6	9.0	11.3
11	SFW11R-1/2ST__LF	16.8	15.6	10.0	12.3
12	SFW12R-1/2ST__LF	17.8	16.6	11.0	13.3
13	SFW13R-1/2ST__LF	18.8	17.6	12.0	14.3
14	SFW14R-1/2ST__LF	19.8	18.6	13.0	15.3
15	SFW15R-1/2ST__LF	20.8	19.6	14.0	16.3
16	SFW16R-1/2ST__LF	21.8	20.6	15.0	17.3
17	SFW17R-1/2ST__LF	22.8	21.6	16.0	18.3
18	SFW18R-1/2ST__LF	23.8	22.6	17.0	19.3
19	SFW19R-1/2ST__LF	24.8	23.6	18.0	20.3
20	SFW20R-1/2ST__LF	25.8	24.6	19.0	21.3
21	SFW21R-1/2ST__LF	26.8	25.6	20.0	22.3
22	SFW22R-1/2ST__LF	27.8	26.6	21.0	23.3
23	SFW23R-1/2ST__LF	28.8	27.6	22.0	24.3
24	SFW24R-1/2ST__LF	29.8	28.6	23.0	25.3
25	SFW25R-1/2ST__LF	30.8	29.6	24.0	26.3
26	SFW26R-1/2ST__LF	31.8	30.6	25.0	27.3
27	SFW27R-1/2ST__LF	32.8	31.6	26.0	28.3
28	SFW28R-1/2ST__LF	33.8	32.6	27.0	29.3
29	SFW29R-1/2ST__LF	34.8	33.6	28.0	30.3
30	SFW30R-1/2ST__LF	35.8	34.6	29.0	31.3



NOTES

1. THIS PRODUCT IS THE CONNECTOR USED FOR FPC/FFC AND COPEs WITH AUTOMATIC MOUNTING (SMT).
2. SEE PART DRAWINGS FOR DIMENSIONS A~D.

mat'l. code		surface 58 / ISO 1302		tolerance ISO 406 / ISO 1101		projection		product family 58RF		CODE JP	
ltr		ecn no		dr		date		title		CAT. NO. TABLE FOR 1mm SPACING SMT CONNECTOR (Cat. No. SFW__R-1/2ST__LF)	
c				angles		linear		mm		scale X	
dr		M. YAMASHITA		2009-10-27		enr		M. YAMASHITA		2009-10-27	
chr		S. Watabe		2009-10-27		appd		D. DeLorenzo		2009-10-27	
sheet index		revision sheet						dwg no 10101159		sheet 2 of 9 size A4	
								type Product Customer Drawing		Rev. C	



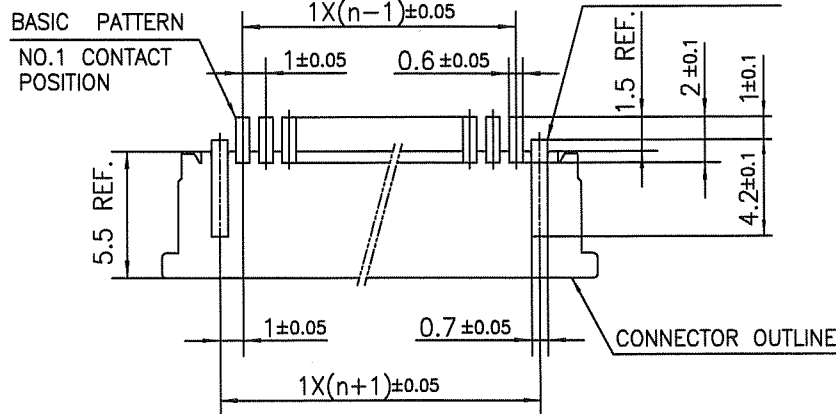
PT. NO.	PARTS NAME	MATERIAL	Q'TY	NOTE
1	HOUSING	PPS RESIN GLASS REINFORCED (UL94V-0)	1	COLOR : BROWN
2	SLIDER		1	COLOR : BLACK
3	CONTACT	PHOSPHOR BRONZE	n	PLATING : TIN
4	MOUNTING PLATE		2	

n : NO. OF CONTACTS

NOTES

1. THIS PRODUCT IS THE CONNECTOR USED FOR FPC/FFC AND COPES WITH AUTOMATIC MOUNTING (SMT).
2. FLATNESS FOR CONTACT TERMINAL HOUSING MUST BE WITHIN TOLERANCE IN Z PORTION DETAILED DRAWING.
3. THIS PRODUCT IS LOWER CONTACT TYPE CONNECTOR.
4. THIS PRODUCT MEETS EUROPEAN UNION DIRECTIVES AND OTHER?COUNTRY REGULATIONS AS DESCRIBED IN GS-22-008
5. THE HOUSING WILL WITHSTAND EXPOSURE TO 260°C PEAK TEMPERATURE FOR 10 SECONDS IN A REFLOW SOLDERING OVEN.

RECOMMENDED PC BOARD LAYOUT (COMPONENT SIDE)



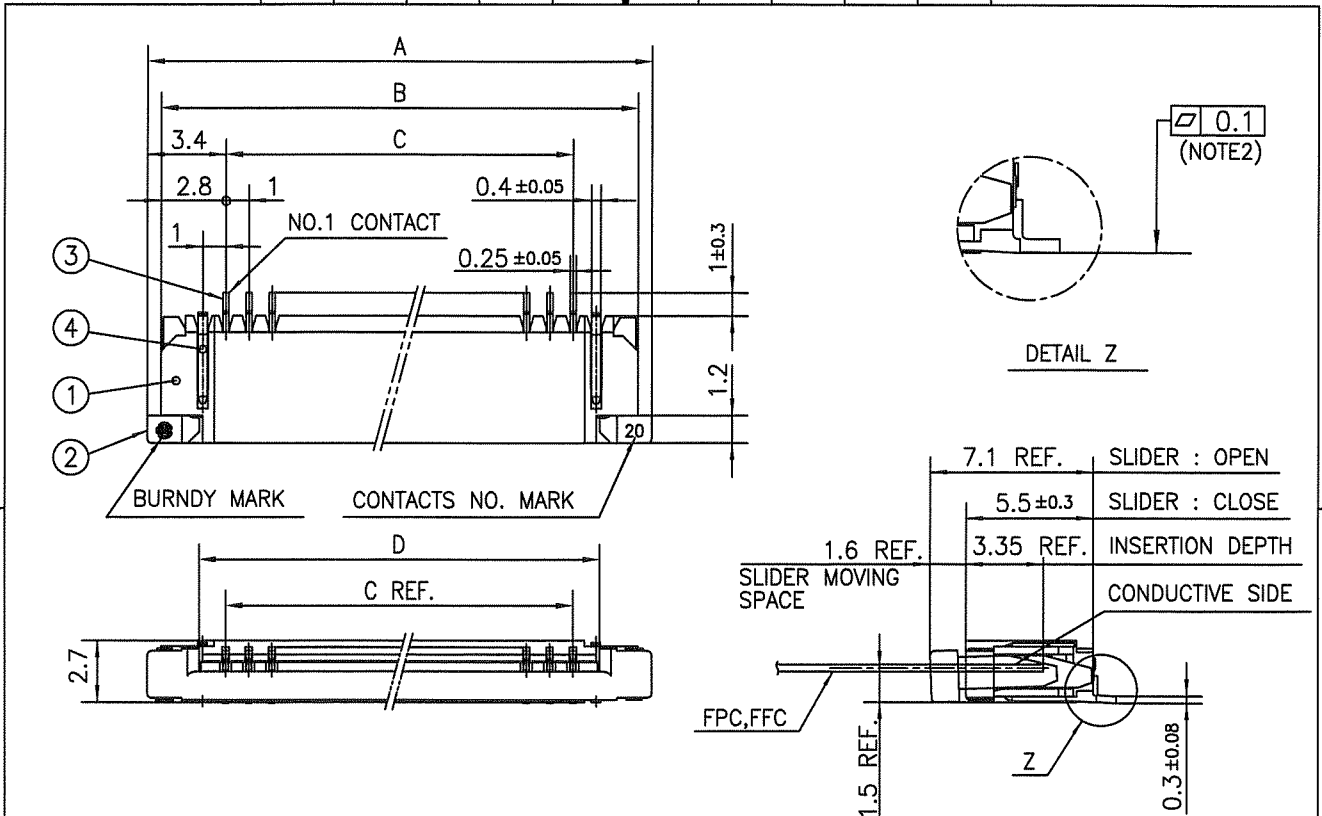
mat'l. code		surface 58 / ISO 1302		tolerance ISO 406 / ISO 1101		projection		product family 58RF		CODE JP	
ltr		ecn no		dr		date		title		1mm SPACING SMT CONNECTOR (Cat. No. SFW__R-1ST__LF)	
c				angles		linear ±0.2		mm		scale X	
sheet index		revision sheet		dr		M. YAMASUTA 2009-10-27		dwg no		sheet 3 of 9 size A4	
				enrg		M. YAMASUTA 2009-10-27		10101159			
				chr		S. W. H. 2008-10-27		type		Product Customer Drawing	
				appd		S. Chudam 2008-10-27				Rev. C	



FCIconnect.com

Copyright FCI.

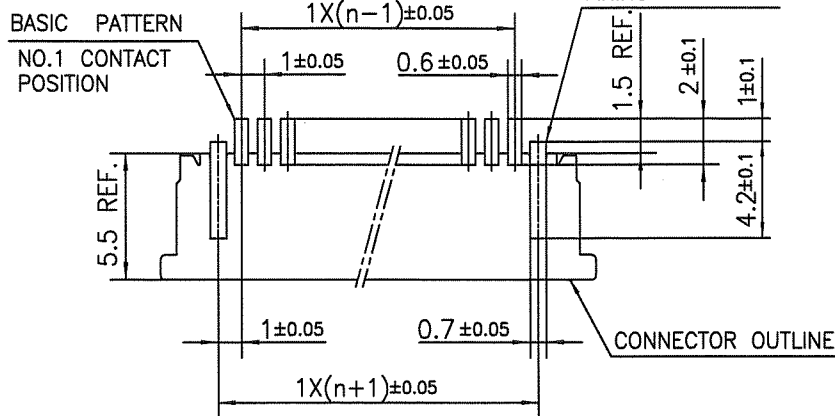




PT. NO.	PARTS NAME	MATERIAL	Q'TY	NOTE
1	HOUSING	PPS RESIN GLASS REINFORCED (UL94V-0)	1	COLOR : BROWN
2	SLIDER		1	COLOR : BLACK
3	CONTACT	PHOSPHOR BRONZE	n	PLATING : TIN
4	MOUNTING PLATE		2	

n : NO. OF CONTACTS

RECOMMENDED PC BOARD LAYOUT (COMPONENT SIDE)



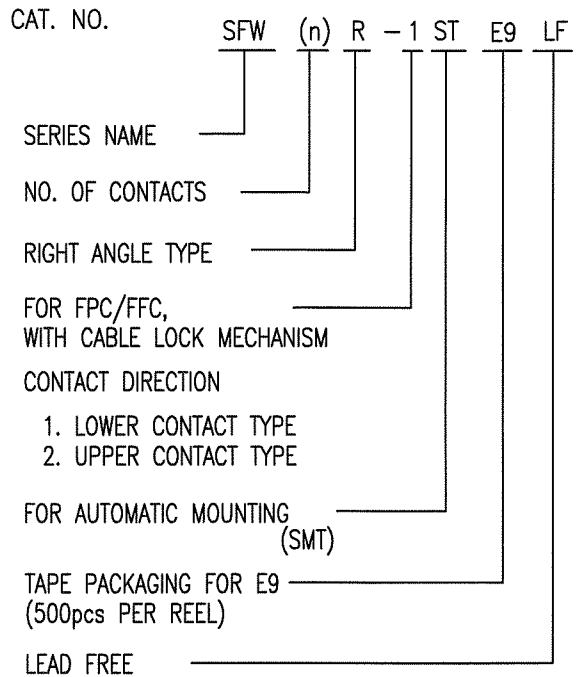
NOTES

1. THIS PRODUCT IS THE CONNECTOR USED FOR FPC/FFC AND COPES WITH AUTOMATIC MOUNTING (SMT).
2. FLATNESS FOR CONTACT TERMINAL HOUSING MUST BE WITHIN TOLERANCE IN Z PORTION DETAILED DRAWING.
3. THIS PRODUCT IS UPPER CONTACT TYPE CONNECTOR.
4. THIS PRODUCT MEETS EUROPEAN UNION DIRECTIVES AND OTHER COUNTRY REGULATIONS AS DESCRIBED IN GS-22-008
5. THE HOUSING WILL WITHSTAND EXPOSURE TO 260°C PEAK TEMPERATURE FOR 10 SECONDS IN A REFLOW SOLDERING OVEN.

mat'l. code		surface 58		tolerance ISO 406		projection		product family 58RF		CODE JP	
ltr	ecn no	dr	date	tolerances unless otherwise specified		mm		title			
C				angles	linear	mm		1mm SPACING SMT CONNECTOR (Cat. No. SFW__R-2ST__LF)			
						scale X		dwg no		sheet 4 of 9	
				dr	engr	chr	appd	10101159		size A4	
								type Product Customer Drawing			
sheet index	revision sheet										Rev. C

CAT. NO. & DIMENSIONS

NO. OF CONTACTS (n)	CAT. NO. (NOTE2)	DIMENSIONS (NOTE3)		
		E MAX.	F ± 0.3	G ± 0.1
4	SFW4R-1/2STE9LF	22.4	16	—
5	SFW5R-1/2STE9LF	30.4	24	—
6	SFW6R-1/2STE9LF	30.4	24	—
7	SFW7R-1/2STE9LF	30.4	24	—
8	SFW8R-1/2STE9LF	30.4	24	—
9	SFW9R-1/2STE9LF	30.4	24	—
10	SFW10R-1/2STE9LF	30.4	24	—
11	SFW11R-1/2STE9LF	30.4	24	—
12	SFW12R-1/2STE9LF	30.4	24	—
13	SFW13R-1/2STE9LF	38.4	32	28.4
14	SFW14R-1/2STE9LF	38.4	32	28.4
15	SFW15R-1/2STE9LF	38.4	32	28.4
16	SFW16R-1/2STE9LF	38.4	32	28.4
17	SFW17R-1/2STE9LF	50.4	44	40.4
18	SFW18R-1/2STE9LF	50.4	44	40.4
19	SFW19R-1/2STE9LF	50.4	44	40.4
20	SFW20R-1/2STE9LF	50.4	44	40.4
21	SFW21R-1/2STE9LF	50.4	44	40.4
22	SFW22R-1/2STE9LF	50.4	44	40.4
23	SFW23R-1/2STE9LF	50.4	44	40.4
24	SFW24R-1/2STE9LF	50.4	44	40.4
25	SFW25R-1/2STE9LF	50.4	44	40.4
26	SFW26R-1/2STE9LF	50.4	44	40.4
27	SFW27R-1/2STE9LF	50.4	44	40.4
28	SFW28R-1/2STE9LF	62.4	56	52.4
29	SFW29R-1/2STE9LF	62.4	56	52.4
30	SFW30R-1/2STE9LF	62.4	56	52.4



NOTES

1. THIS PRODUCT IS THE CONNECTOR USED FOR FPC/FFC AND COPEs WITH AUTOMATIC MOUNTING (SMT).
2. THIS CATALOG NO. INDICATES PLASTIC TAPE PACKAGED CONNECTOR.
3. SEE PART DRAWINGS FOR DIMENSIONS E~G.

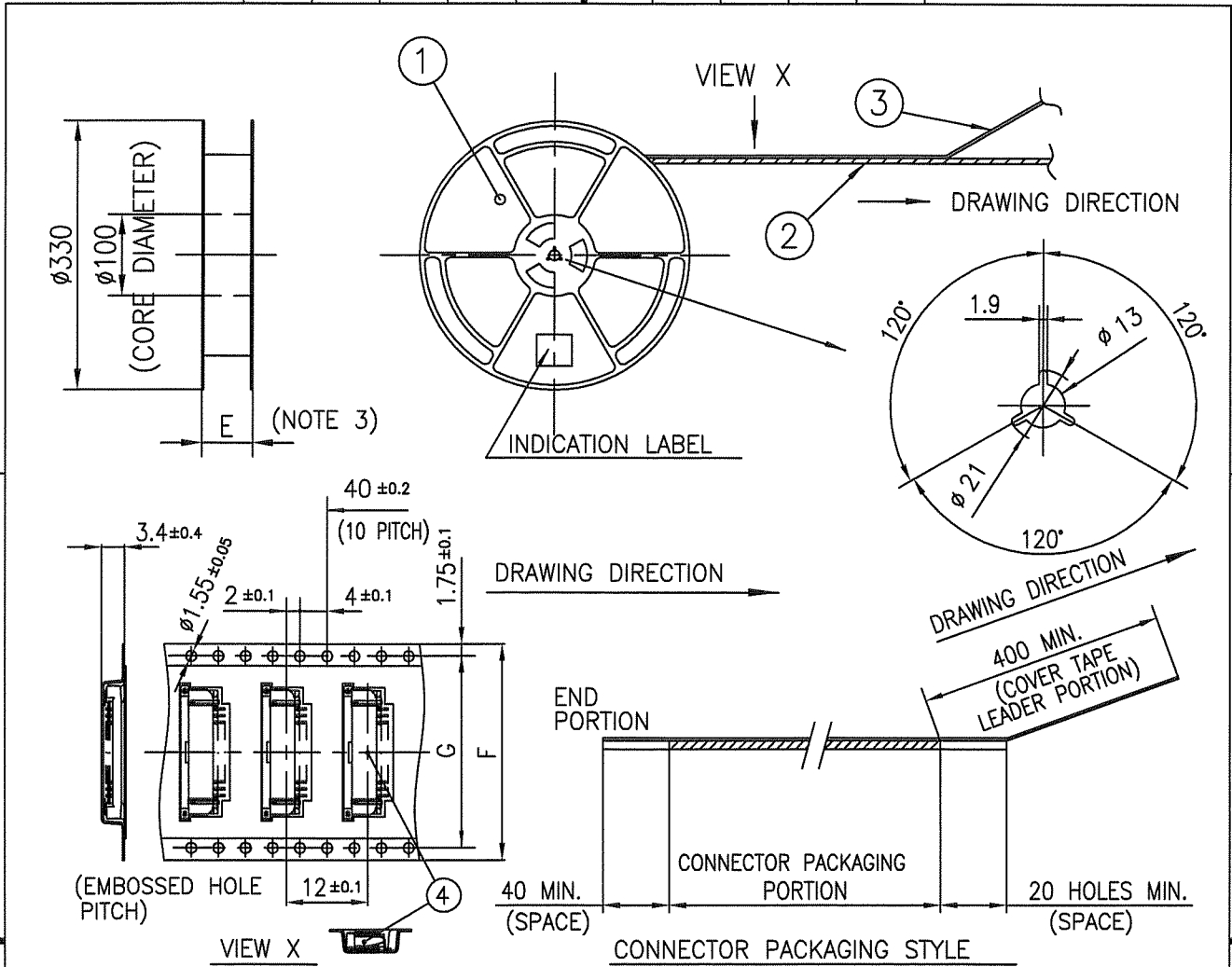
mat'l. code -				surface 58 / tolerance ISO 1302 / ISO 406 / ISO 1101		projection		product family 58RF		CODE JP	
ltr ecn no dr date				tolerances unless otherwise specified		mm		title CAT NO. TABLE FOR PLASTIC TAPE PACKAGED 1mm SPACING SMT CONNECTOR (Cat. No. SFW__R-1/2STE9LF)			
C				angles linear		scale X		dwg no sheet 5 of 9 size A4			
				dr H. YAMASHITA 2009-10-27		FCJ		type Product Customer Drawing			
				enr H. YAMASHITA 2009-10-27				10101159			
				chr J. W. K. 2009-10-27							
				appd J. Nuclan 2009-10-27							
sheet index		revision sheet								Rev. C	



FCIconnect.com

Copyright FCI.





PT. NO.	PARTS NAME	CAT. NO.	MATERIAL	Q'TY	NOTE
1	REEL	_____	POLYSTYRENE	1	COLOR : WHITE or BLACK
2	PLASTIC (EMBOSS) TAPE	_____	PET	_____	COLOR : TRANSPARENCY (CLEAR)
3	COVER	_____	POLYESTER	_____	COLOR : TRANSPARENCY (CLEAR)
4	CONNECTOR	SFW__R-1ST_LF	SEE ATTACHED DWG.	500	LOWER CONTACT TYPE

NOTES

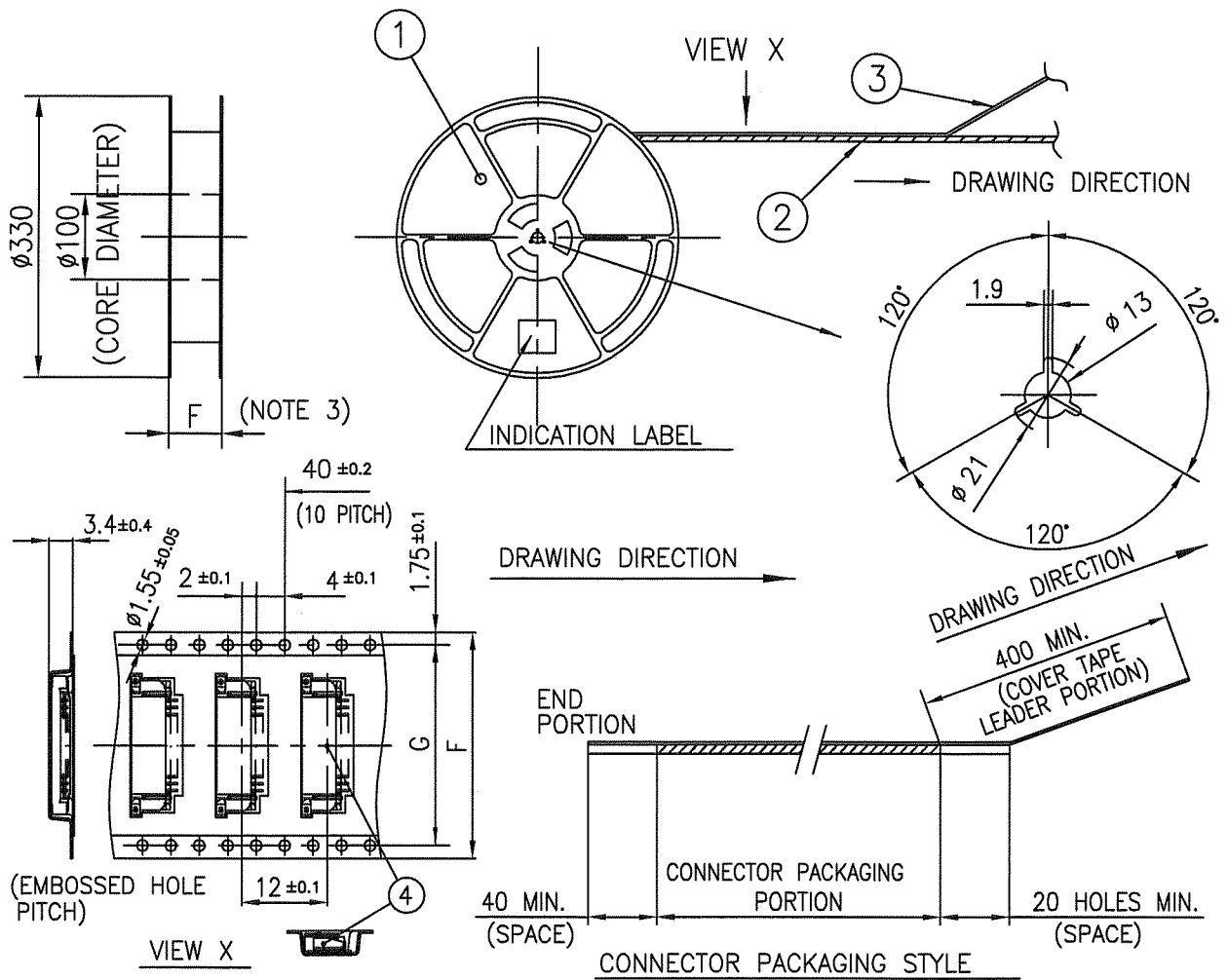
- THIS IS PLASTIC TAPE PACKAGED CONNECTOR USED FOR FPC/FFC AND COPES WITH AUTOMATIC MOUNTING (SMT).
- SEE JIS C 0806 (PACKING OF ELECTRONIC COMPONENTS ON CONTINUOUS TAPES (SURFACE MOUNTING DEVICES)) FOR SHAPE AND DIMENSIONS OF PLASTIC (EMBOSS) TAPE AND REEL.
- E DIMENSION IS PORTION OF THE CORE.

mat'l. code		surface ISO 1302 <input checked="" type="checkbox"/>		tolerance ISO 406 ISO 1101		projection		product family 58RF		CODE JP	
ltr	ecn no	dr	date		tolerances unless otherwise specified				title PLASTIC TAPE PACKAGED 1mm SPACING SMT CONNECTOR (Cat. No. SFW__R-1STE9LF)		
c			angles	linear	±5		scale X		dwg no 10101159		size A4
			±5°				FCJ		type Product Customer Drawing		
sheet index	revision sheet		dr	enr	chr	appd			sheet 6 of 9		
			11/11/2007	11/11/2007	B. W. White	J. D. Duda			Rev. C		



FCIconnect.com

Copyright FCI.



PT. NO.	PARTS NAME	CAT. NO.	MATERIAL	Q'TY	NOTE
1	REEL	_____	POLYSTYRENE	1	COLOR : WHITE or BLACK
2	PLASTIC (EMBOSS) TAPE	_____	PET	_____	COLOR : TRANSPARENCY (CLEAR)
3	COVER	_____	POLYESTER	_____	COLOR : TRANSPARENCY (CLEAR)
4	CONNECTOR	SFW_R-2ST_LF	SEE ATTACHED DWG.	500	UPPER CONTACT TYPE

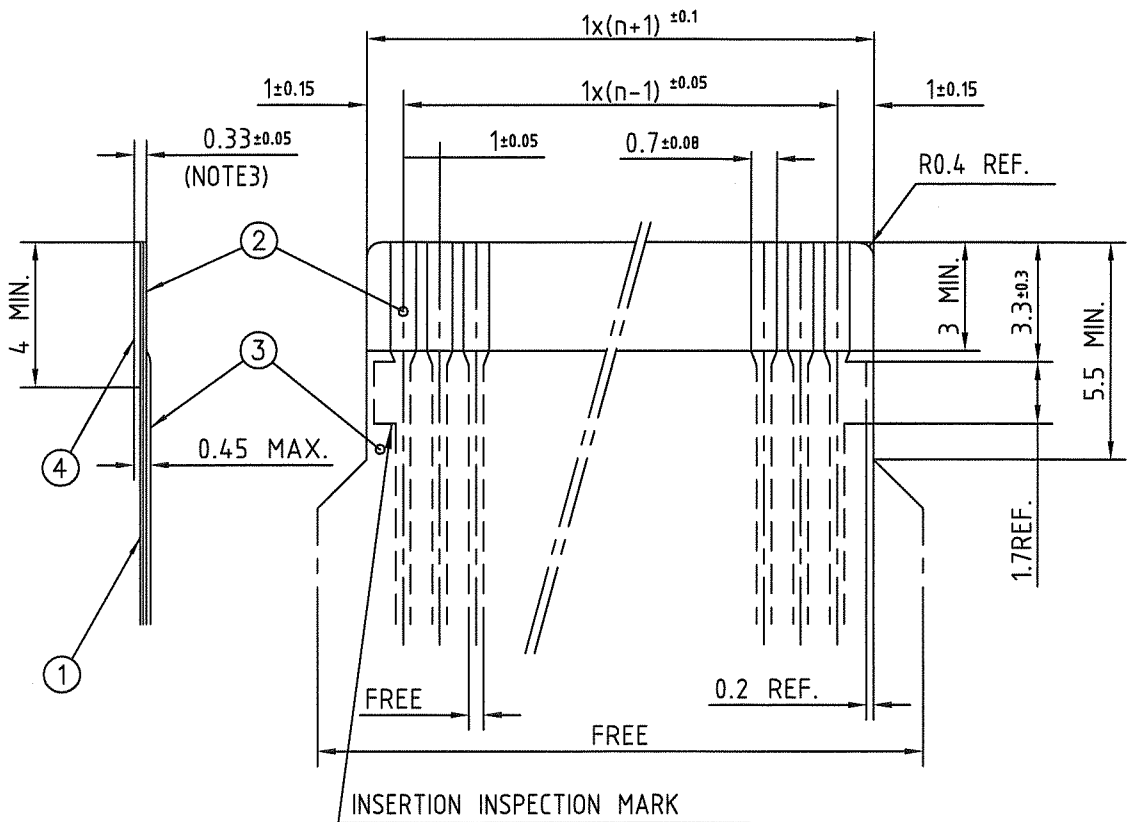
NOTES

- THIS IS PLASTIC TAPE PACKAGED CONNECTOR USED FOR FPC/FFC AND CYPES WITH AUTOMATIC MOUNTING (SMT).
- SEE JIS C 0806 (PACKING OF ELECTRONIC COMPONENTS ON CONTINUOUS TAPES (SURFACE MOUNTING DEVICES)) FOR SHAPE AND DIMENSIONS OF PLASTIC (EMBOSS) TAPE AND REEL.
- E DIMENSION IS PORTION OF THE CORE.

mat'l. code		surface ISO 1302 ✓		tolerance ISO 406 ISO 1101		projection		product family 58RF		CODE JP	
ltr	ecn no	dr	date	tolerances unless otherwise specified		mm		title PLASTIC TAPE PACKAGED 1mm SPACING SMT CONNECTOR (Cat. No. SFW_R-2STE9LF)			
c				angles	linear	±5		dwg no 10101159			
				±5°		scale X		sheet 7 of 9 size A4			
				dr	M. YAMAGUCHI	2009-10-27	FCJ	type Product Customer Drawing			
				enr	M. YAMAGUCHI	2009-10-27		Rev. c			
				chr	S. WITTEL	2009-10-27					
				appd	S. WITTEL	2009-10-27					
sheet index	revision sheet										

RECOMMENDED CABLE (FPC)

n : NO. OF CONDUCTOR



PT. NO.	PARTS NAME	MATERIAL	THICKNESS (um)
1	BASE FILM	POLYIMIDE OR POLYESTER OR EQUAL	25
2	CONDUCTOR	COPPER FOIL(PLATING:SOLDER 1um MIN.)	35
3	OVERLAY	POLYIMIDE OR POLYESTER OR EQUAL	—
4	SUPPORTING TAPE	POLYESTER OR POLYIMIDE OR EQUAL	188

NOTES

1. NO BURR AT EACH PORTION.
2. NO PEELING IN COMMON USE.
3. TOTAL THICKNESS LIMIT OF EACH MATERIAL (INCLUDING ADHESIVE AGENT) IS SPECIFIED.

mat'l. code		surface ISO 1302 58 ✓		tolerance ISO 406 ISO 1101		projection		product family 58RF		CODE JP	
ltr		ecn no		dr		date		title		RECOMMENDED CABLE	
C								title		(Cat. No. SFW__R-1/2__)	
				angles		linear		mm		scale X	
				dr		M. YAMASHITA 2009-10-27		dwg no		sheet 8 of 9 size	
				enr		M. YAMASHITA 2009-10-27		10101159		A4	
				chr		S. Nishida 2009-10-27		type		Product Customer Drawing	
				appd		S. DuJardin 2009-10-27					
sheet index		revision sheet								Rev. C	



FCIconnect.com

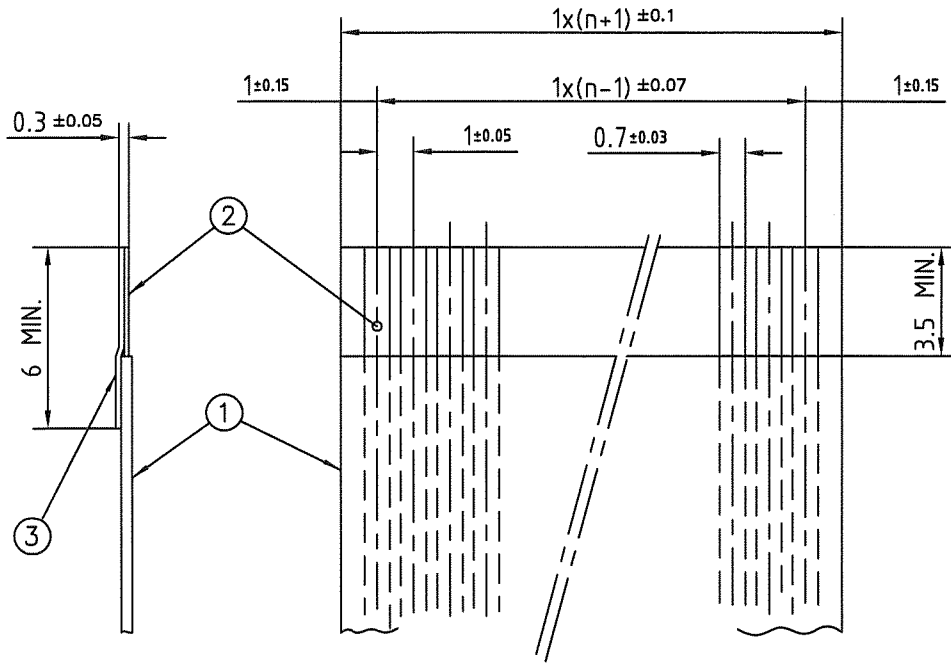
Copyright FCI.





RECOMMENDED CABLE (FFC)

n : NO. OF CONDUCTOR



PT. NO.	PARTS NAME	MATERIAL	NOTE
1	INSULATOR	FLAME RESISTING POLYESTER OR EQUAL	_____
2	CONDUCTOR	COPPER FOIL	PLATING:TIN OR SOLDER 1um MIN.
3	SUPPORTING TAPE	FLAME RESISTING POLYESTER OR EQUAL	_____

NOTES

1. NO BURR AT EACH PORTION.
2. NO PEELING IN COMMON USE.

mat'l. code				surface 58/ISO 1302		tolerance ISO 406 ISO 1101		projection		product family 58RF		CODE JP	
ltr				ecn no		dr		date		title		RECOMMENDED CABLE	
c										title		RECOMMENDED CABLE	
				angles		linear		mm		scale X		(Cat. No. SFW__R-1/2__)	
				dr		M. Yamashita		2009-10-27		dwg no		sheet 9 of 9 size	
				enr		M. Yamashita		2009-10-27		10101159		A4	
				chr		S. Watanabe		2009-10-27		type		Product Customer Drawing	
				appd		P. Dudman		2009-10-27					
sheet index		revision sheet										Rev. c	



FCIconnect.com

Copyright FCI.