



TAI-SAW TECHNOLOGY CO., LTD.

No. 3, Industrial 2nd Rd., Ping-Chen Industrial District,
Taoyuan, 324, Taiwan, R.O.C.

TEL: 886-3-4690038 FAX: 886-3-4697532

E-mail: tstsales@mail.taisaw.com Web: www.taisaw.com

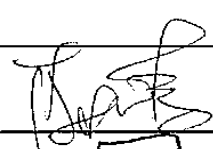
Product Specifications Approval Sheet

Product Name: 130.34 MHz 27MHz BW SMD 13.3 x 6.5 mm SAW IF Filter

TST Parts No.: TB1015A

Customer Parts No.: _____

Customer signature required
Company: _____
Division: _____
Approved by : _____
Date: _____

Checked by: _____ Kazuma Lee 

Approval by: _____ Francis Chen 

Date: _____ 09 / 06 / 2011

1. Customer signed back is required before TST can proceed with sample build and receive orders.
2. Orders received without customer signed back will be regarded as agreement on the specifications.
3. Any specifications changes must be approved upon by both parties and a new revision of specifications shall be released to reflect the changes.



TAI-SAW TECHNOLOGY CO., LTD.

No.3, Industrial 2nd Rd., Ping-Chen Industrial District, Taoyuan, Taiwan, R.O.C.

TEL: 886-3-4690038 FAX: 886-3-4697532

E-mail: tstsales3@mail.taisaw.com Web: www.taisaw.com

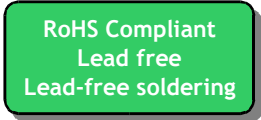
SAW Filter 130.34MHz 27MHz BW (SMD 13.3×6.5 mm)

MODEL NO.: TB1015A

REV. NO.1

A. MAXIMUM RATING:

1. Operating temperature range: -30°C to 65°C
2. Storage temperature range: -40°C to 85°C
3. Input Power Level : 10 dBm
4. Maximum DC Voltage : 10V



B. Characteristics :

Item	Unit	Min.	Type.	Max.
Center frequency, F_c	MHz	-	130.34	-
Insertion Loss, IL	dB	-	11.1	16.0
1dB Band Width	MHz	27.0	30.4	
Amplitude Ripple F_c±12.5MHz	dB	-	0.6	1.0
Attenuation (Reference level from typical Insertion loss)				
DC ~104 MHz	dB	40	50	
153 MHz ~ 800 MHz	dB	40	42	
Temperature Coefficient	ppm/°C	-	-94	-
Source Impedance	Ohm	-	50	-
Load Impedance	Ohm	-	50	-

C. Frequency Characteristics :

(1) Narrow band Response:(span 200MHz)

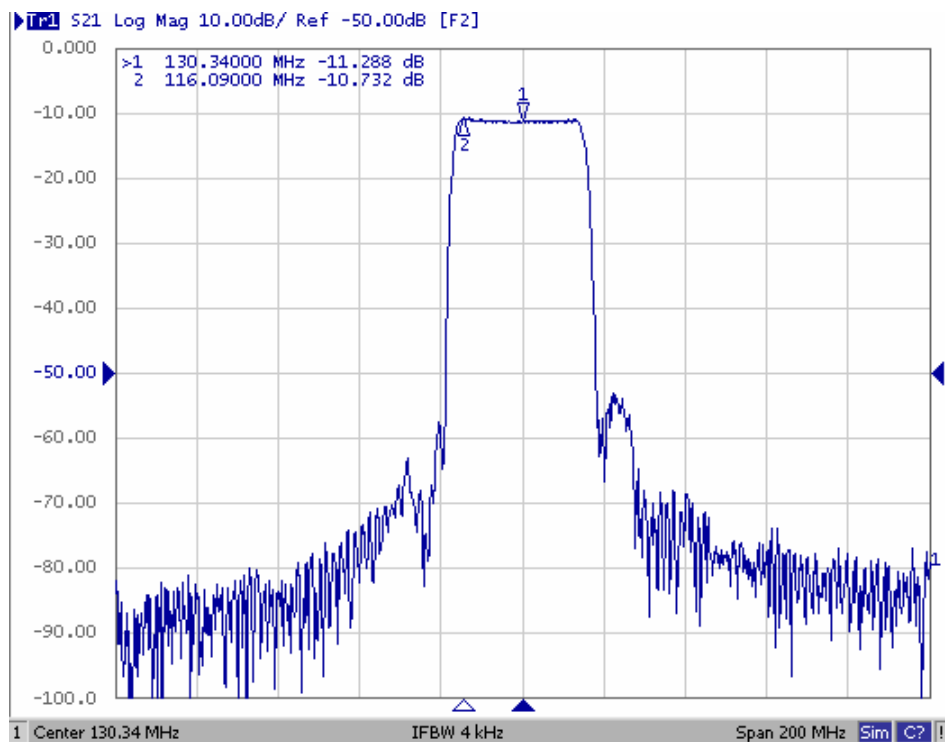


Fig1. Horizontal: 20MHz/Div Vertical: 10dB/Div

(2) Pass band Response and Group Time Delay response:

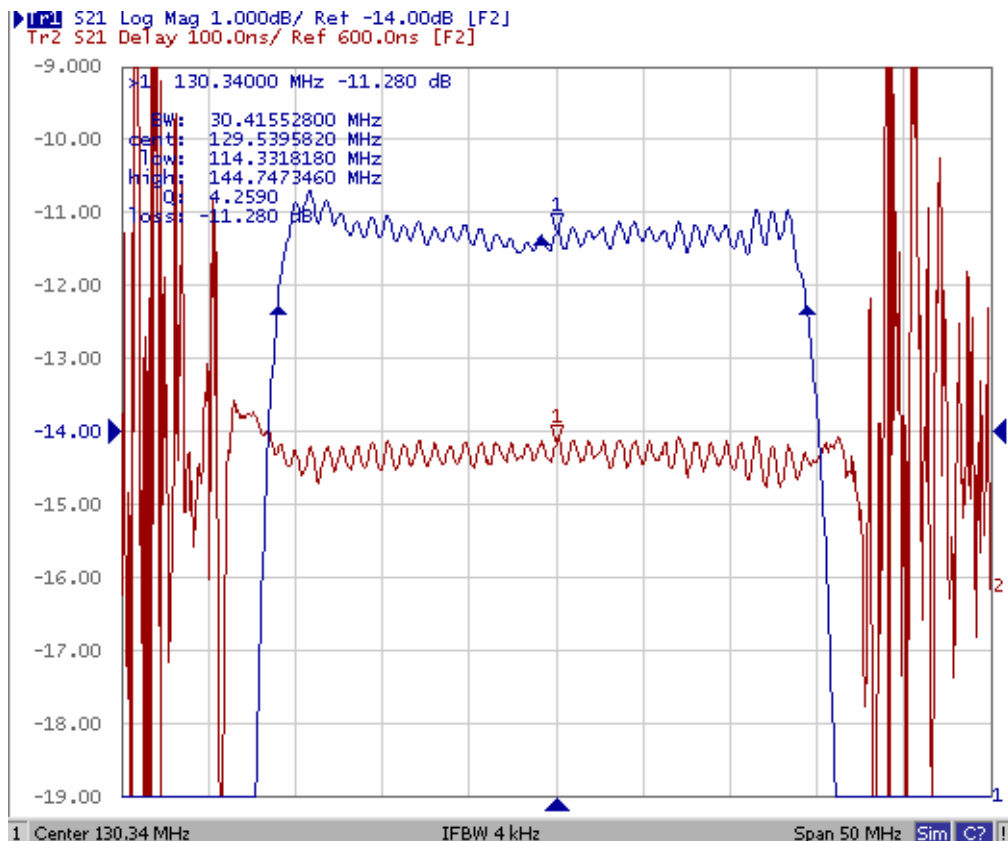


Fig2. Horizontal: 5MHz/Div Vertical: 1dB/Div
Vertical: 100ns/Div

(3) Wide band Response:(span 800MHz)

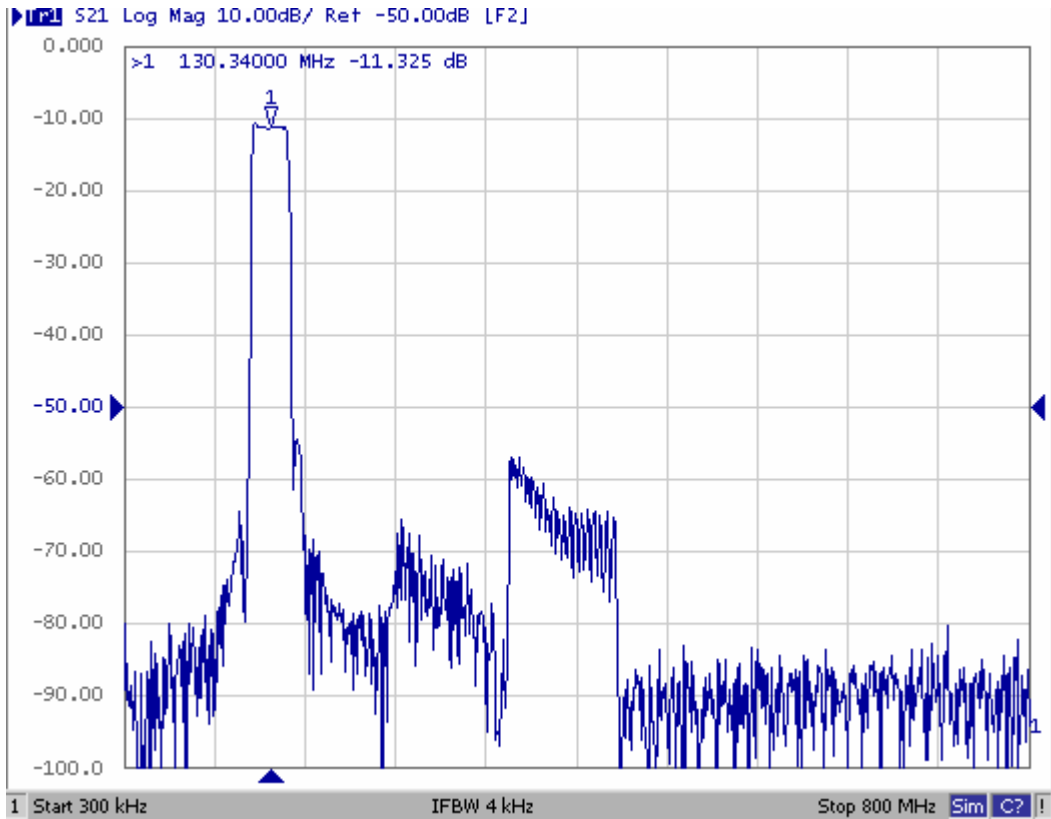
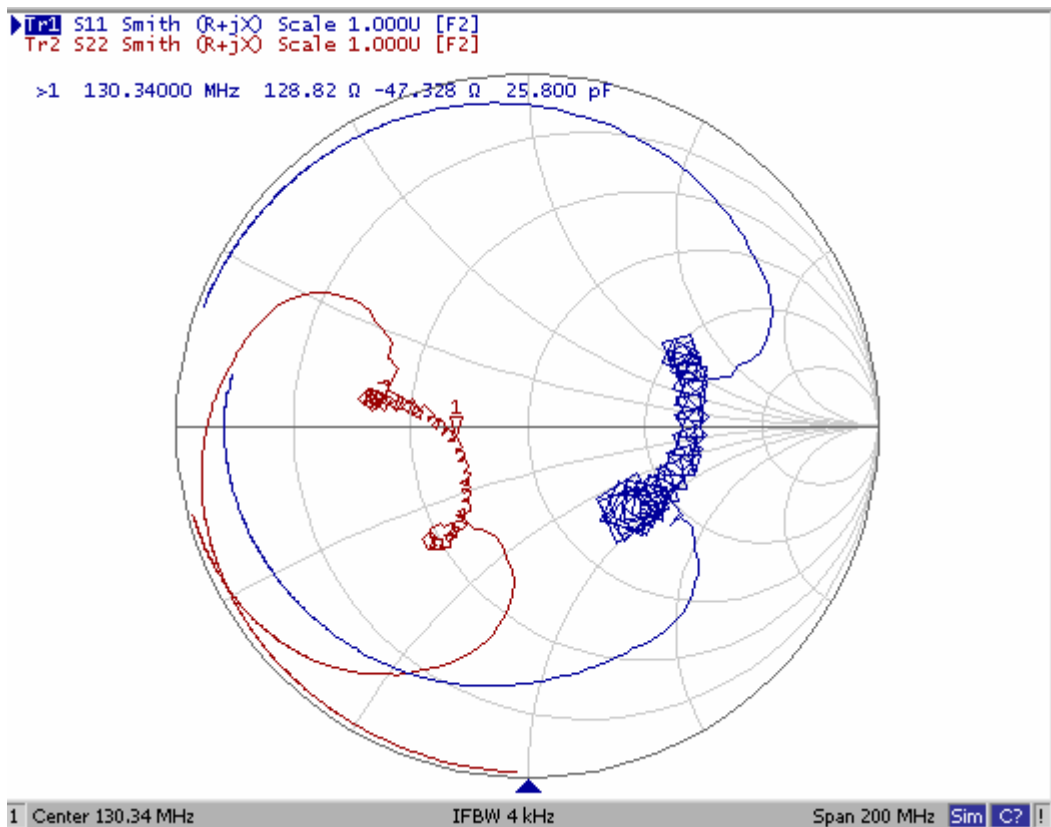
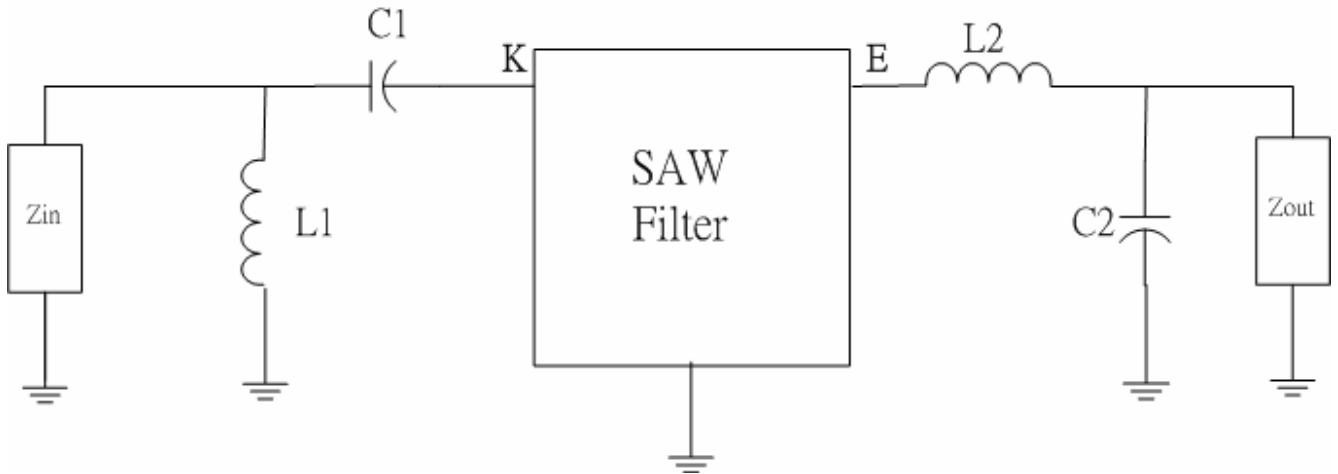


Fig3. Horizontal: 80MHz/Div Vertical: 10dB/Div

(4) Smith Chart

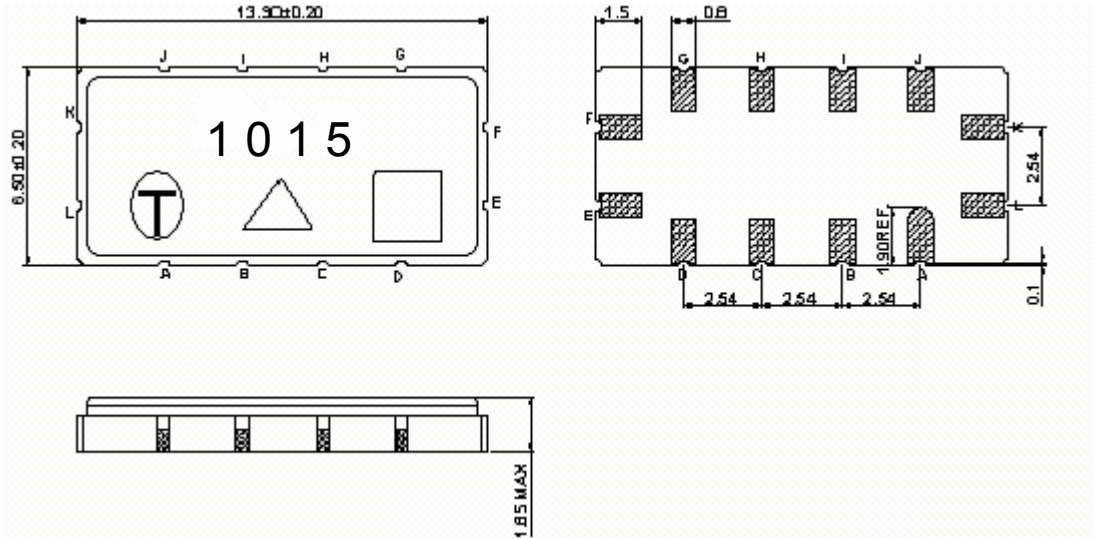


D. Matching Circuit:



L1=39nH C1=150pF L2=47nH C2=68pF

E. Outline Drawing:



#K : Input

#L : Input Ground

#E : Output

#F : Output Ground

#A,B,C,D,G,H,I,J : Ground

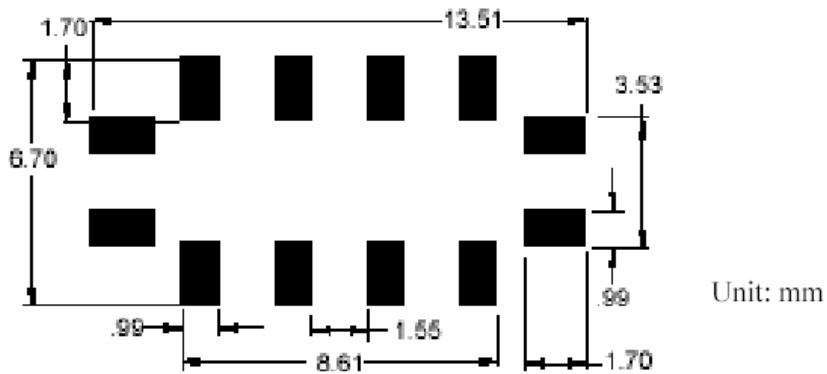
□: Week Code (Follow the table from planner each year)

Unit: mm

△ : Product / Year Code

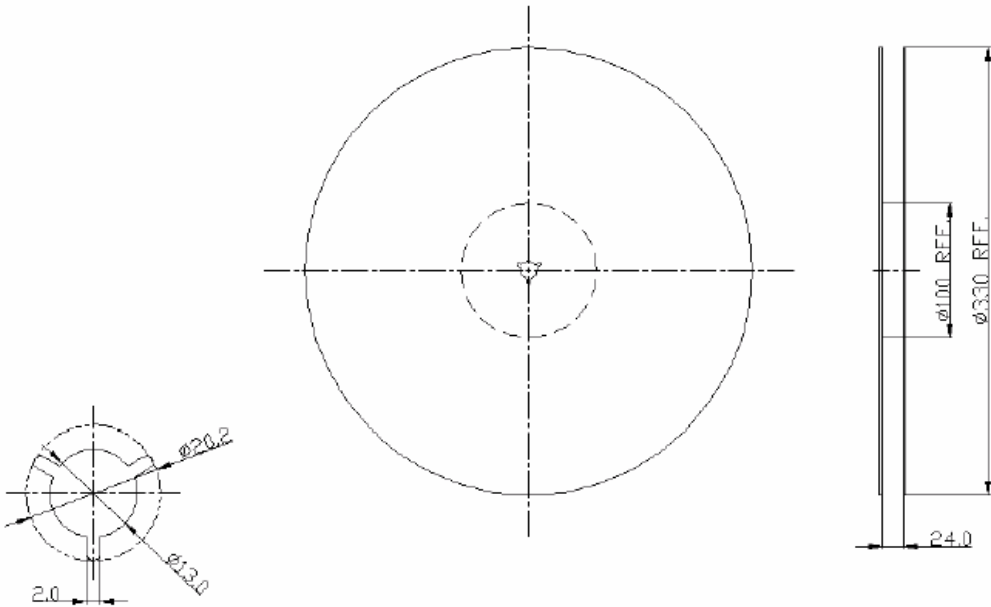
Year	2009 2013	2010 2014	2011 2015	2012 2016
Product Code	B	b	<u>B</u>	<u>b</u>

F. PCB Footprint:

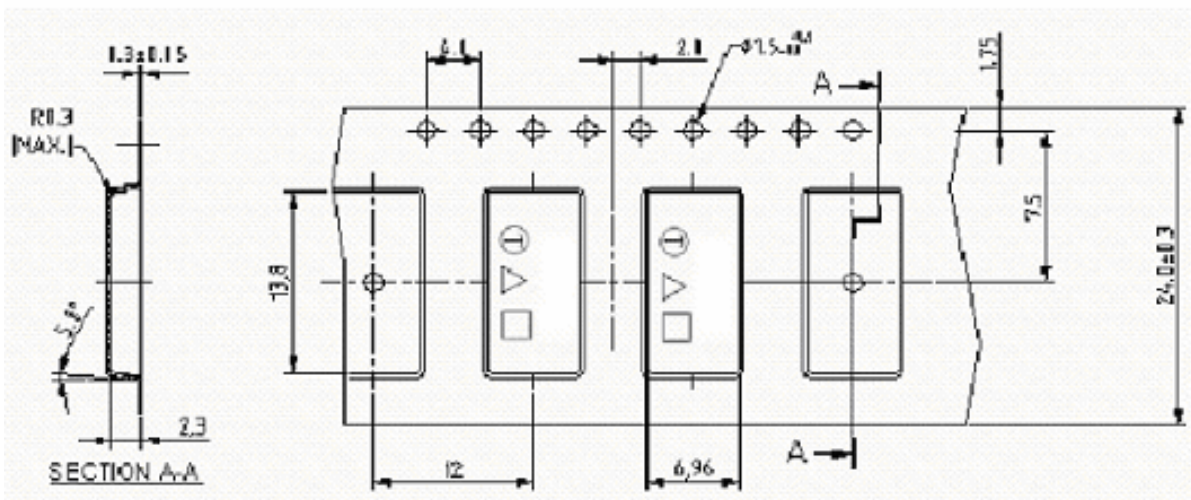


G. PACKING:

1. REEL DIMENSION



2. TAPE DIMENSION



H. RECOMMENDED REFLOW PROFILE :

