

**60**mm sq.

# San Ace 60

15mm thick (GA type), 15mm thick  
**20mm thick (GA type)**, 20mm thick  
 25mm thick (S type), 25mm thick (G type)  
 25mm thick, 25mm thick (San Cooler)  
 38mm thick (GA type), 38mm thick (GV type)  
 38mm thick (G type)



## General Specifications

- Material ..... Frame: Plastics (Flammability: UL94V-0),  
Impeller: Plastics (Flammability: UL94V-0)
- Expected Life ..... Refer to specifications (L10: Survival rate: 90% at 60°C ,  
rated voltage, and continuously run in a free air state)
- Lead Wire ..... ⊕red ⊖black (Sensor) yellow (Control) brown
- Storage Temperature ..... -30°C to +70°C (Non-condensing)

**60×60×20**mm (Mass : 70g) **GA type** **Low Power Consumption Fan**



## Specifications

The following nos. **have PWM controls, pulse sensors, and ribs.**

Model No.	Rated Voltage [V]	Operating Voltage Range [V]	PWM duty cycle <sup>Note1)</sup> [%]	Rated Current [A]	Rated Input [W]	Rated Speed [min <sup>-1</sup> ]	Max. Air Flow [m <sup>3</sup> /min] [CFM]	Max. Static Pressure [Pa] [inchH <sub>2</sub> O]	SPL [dB(A)]	Operating Temperature [°C]	Expected Life <sup>Note2)</sup> [h]
9GA0612P6G001	12	10.8 to 13.2	100	0.26	3.12	6,850	0.88 31.1	125 0.50	43	-20 to +70	40,000/60°C (70,000/40°C)
9GA0612P6S001			100	0.15	1.80	5,500	0.70 24.7	81 0.33	36		
9GA0624P6G001	24	21.6 to 26.4	100	0.12	2.88	6,850	0.88 31.1	125 0.50	43		
9GA0624P6S001			100	0.07	1.68	5,500	0.70 24.7	81 0.33	36		

Note 1: Fan does not rotate when PWM duty cycle is 0%.  
 Note 2: Expected life at 40°C ambient is just reference value.

※PWM Frequency : 25kHz

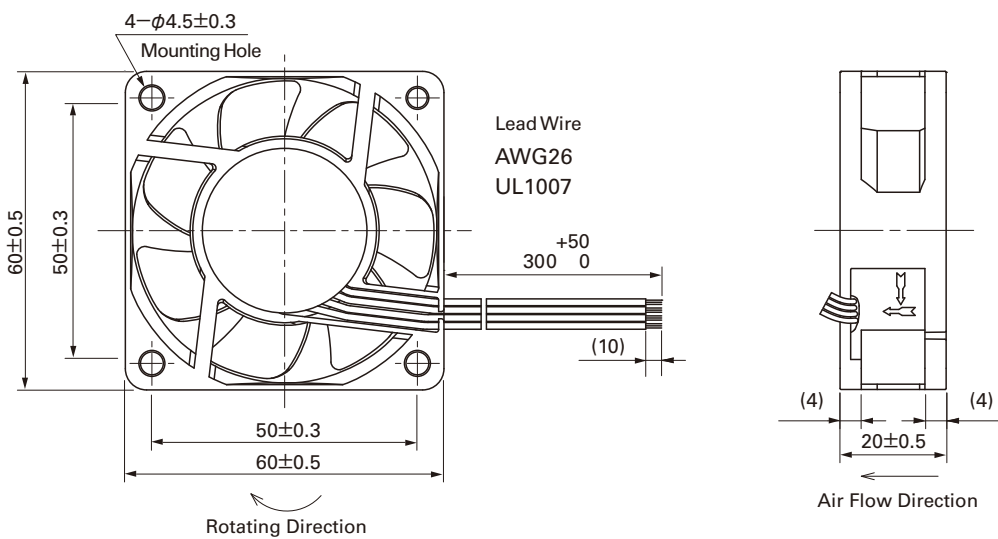
## The following nos. have pulse sensors and ribs.

Model No.	Rated Voltage [V]	Operating Voltage Range [V]	Rated Current [A]	Rated Input [W]	Rated Speed [min <sup>-1</sup> ]	Max. Air Flow [m <sup>3</sup> /min] [CFM]	Max. Static Pressure [Pa] [inchH <sub>2</sub> O]	SPL [dB(A)]	Operating Temperature [°C]	Expected Life [h]
9GA0612H6001	12	10.8 to 13.2	0.09	1.08	4,100	0.52 18.4	45 0.18	29	-20 to +70	60,000
9GA0612M6001			0.05	0.60	2,700	0.34 12.0	20 0.08	18		
9GA0624H6001	24	21.6 to 26.4	0.04	0.96	4,100	0.52 18.4	45 0.18	29		
9GA0624M6001			0.03	0.72	2,700	0.34 12.0	20 0.08	18		

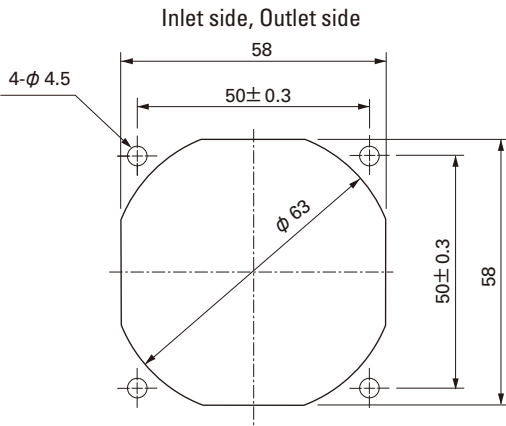
- Available options: ⇒ **Without Sensor** **Pulse Sensor**
- Please inquire as the availability of these functions depend on the model. ⇒ **PWM Control**

## Dimensions (Unit : mm)

(With PWM speed control function · With pulse sensor)



Reference dimension of mounting holes and vent opening (Unit : mm)



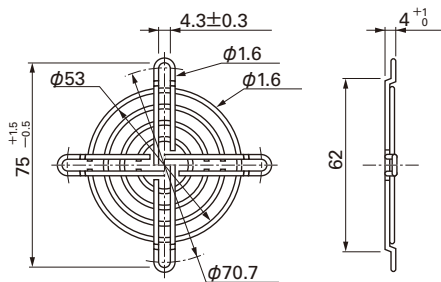
Options (Unit : mm)

Finger guards

Model : 109-139E Surface treatment : Nickel-chrome plating (silver)  
 : 109-139H : Cation electropainting (black)

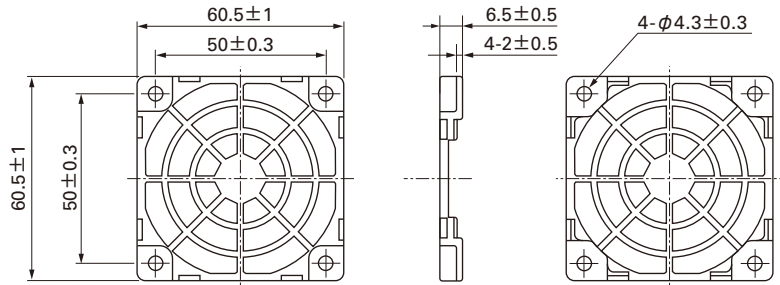
Color

Inlet side, Outlet side



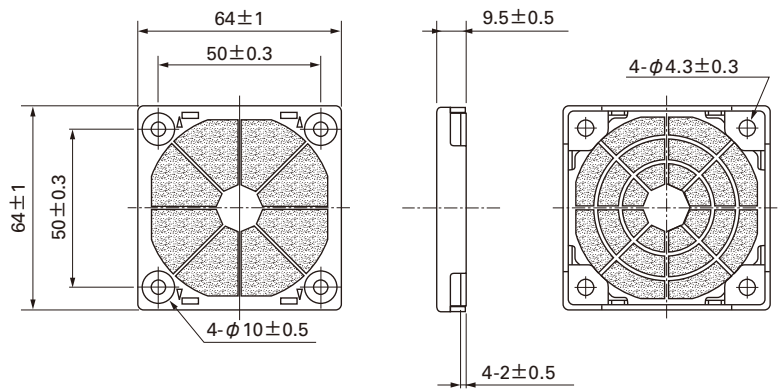
Resin finger guards

Model : 109-1003G



Resin filter kits

Model : 109-1003F13 (13PPI), 109-1003F20 (20PPI)  
 : 109-1003F30 (30PPI), 109-1003F40 (40PPI)



**60**mm sq.

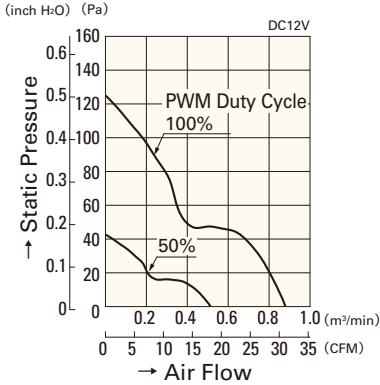
**San Ace 60**

**60×60×20mm** [Mass : 70g]

**Air Flow - Static Pressure Characteristics**

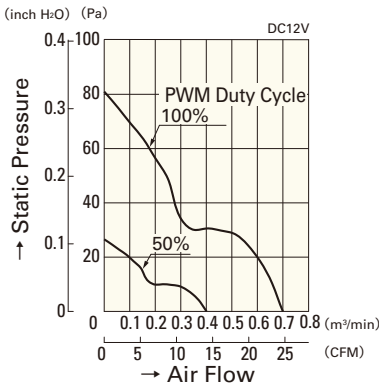
**PWM Duty Cycle**

With PWM speed control function · With pulse sensor



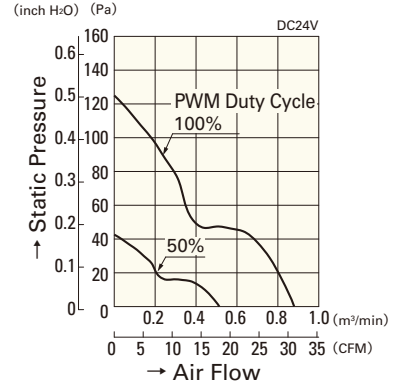
**9GA0612P6G001**

With PWM speed control function · With pulse sensor



**9GA0612P6S001**

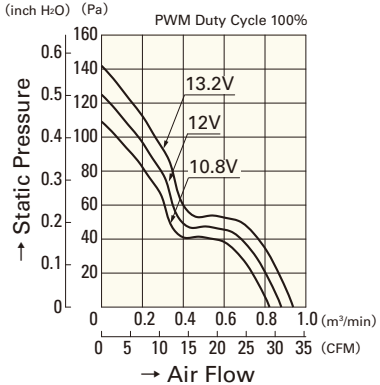
With PWM speed control function · With pulse sensor



**9GA0624P6G001**

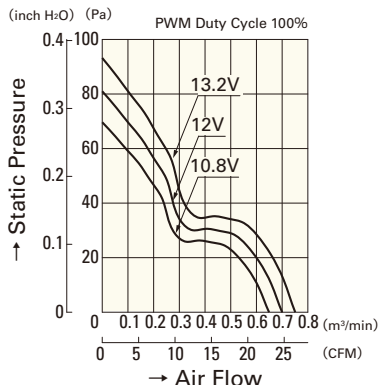
**Operating Voltage Range**

With PWM speed control function · With pulse sensor



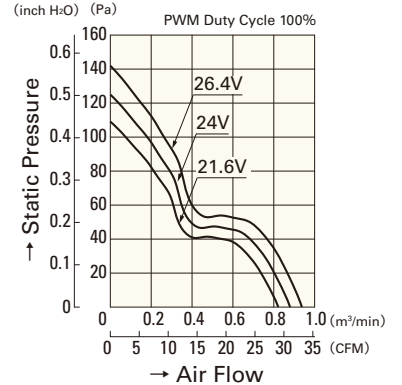
**9GA0612P6G001**

With PWM speed control function · With pulse sensor



**9GA0612P6S001**

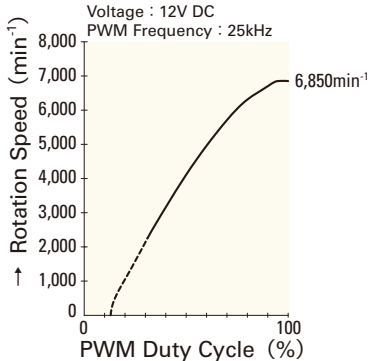
With PWM speed control function · With pulse sensor



**9GA0624P6G001**

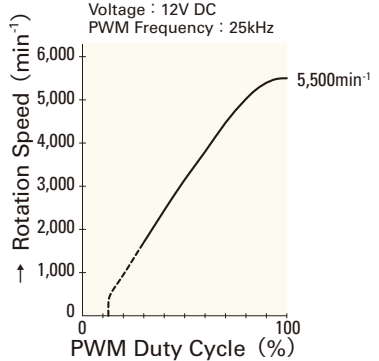
**PWM Duty - Speed Characteristics Example**

With PWM speed control function · With pulse sensor



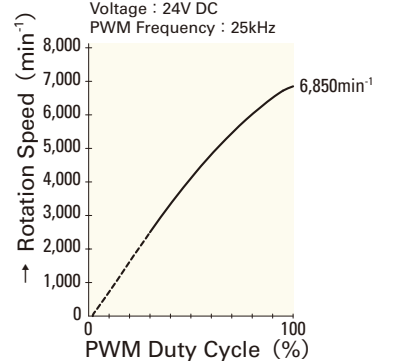
**9GA0612P6G001**

With PWM speed control function · With pulse sensor



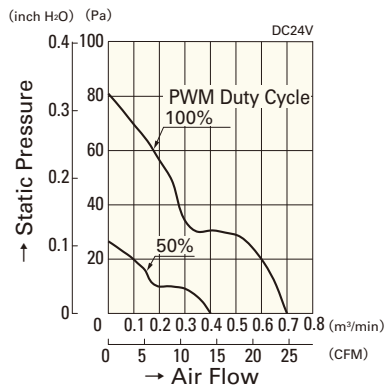
**9GA0612P6S001**

With PWM speed control function · With pulse sensor



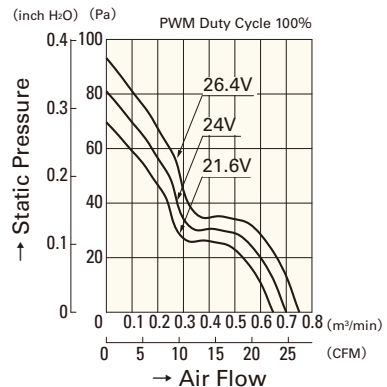
**9GA0624P6G001**

With PWM speed control function · With pulse sensor



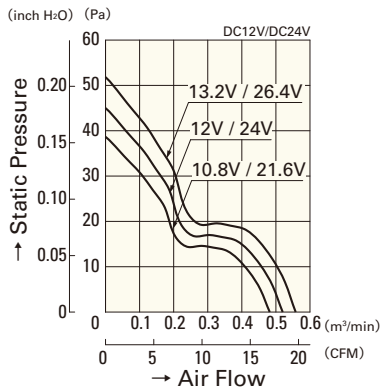
**9GA0624P6S001**

With PWM speed control function · With pulse sensor



**9GA0624P6S001**

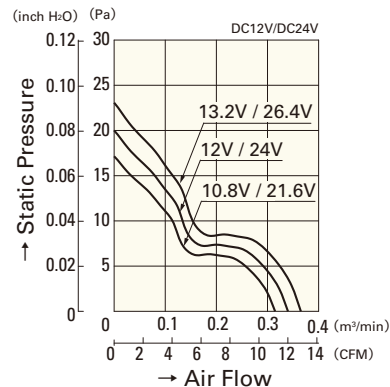
With pulse sensor



**9GA0612H6001**

**9GA0624H6001**

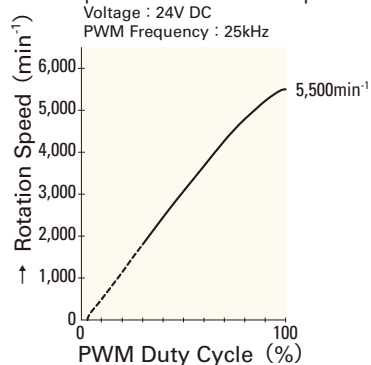
With pulse sensor



**9GA0612M6001**

**9GA0624M6001**

With PWM speed control function · With pulse sensor



**9GA0624P6S001**