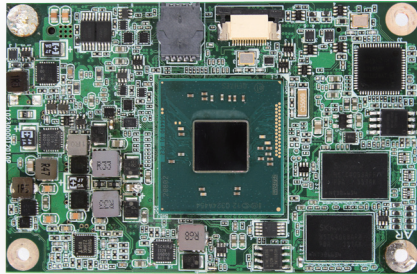


EmNANO-i2300

Intel® Atom E3800 series processor COM Express® Mini Type 10 CPU Module



Features

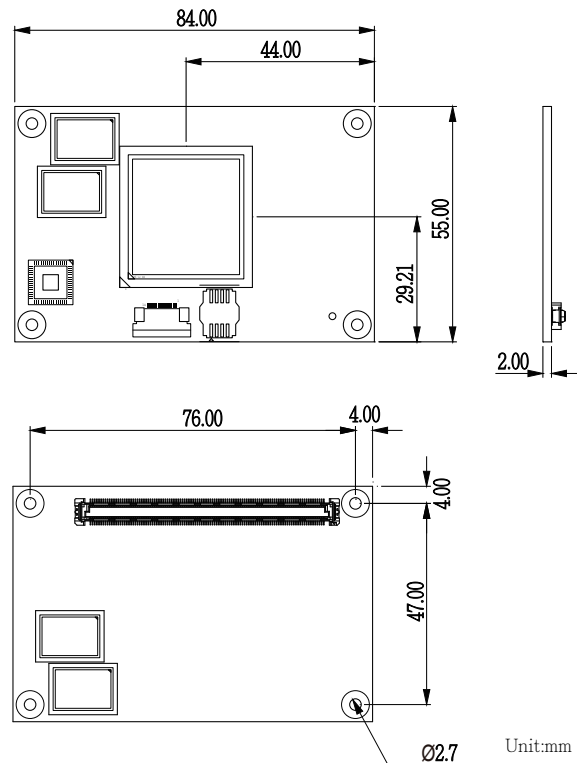
- Soldered onboard Intel® Atom E3800 series SoC processor
- Integrated Gigabit Ethernet
- 1 x DDI port, 1 x LVDS port
- 1 x USB 3.0 port, 8 x USB 2.0 ports, 1 x Serial port
- Support Dual Independent Displays
- Extended Operating Temp.: -20 ~ 70°C

System	
CPU	Intel® Atom E3825 1.33GHz or E3845 1.91GHz processor Intel® Atom E3826 1.46GHz or E3827 1.75GHz processor (BTO)
Memory	Soldered onboard 2GB DDR3L SDRAM
BIOS	Insyde UEFI BIOS
I/O	
USB Port	8 x USB 2.0 ports, 1 x USB 3.0 port
Serial Port	1 x Serial Port
Expansion Bus	3 x PCIe x1 Gen2 lanes SPI, and LPC (Low Pin Count) interface
Storage	2 x Serial ATA ports
Ethernet Chipset	1 x Intel i210IT PCIe GbE controller
SDIO	Supports SDIO
I2C	Supports I2C
AUDIO/ Interface	HD AUDIO link
Display	
Graphics Chipset	Integrated Intel® Gen 7 Graphics
Graphics Interface	Analog RGB supports by FPC connector (Optional) 1 x DDI port 1 x Single Channel 24-bit LVDS port

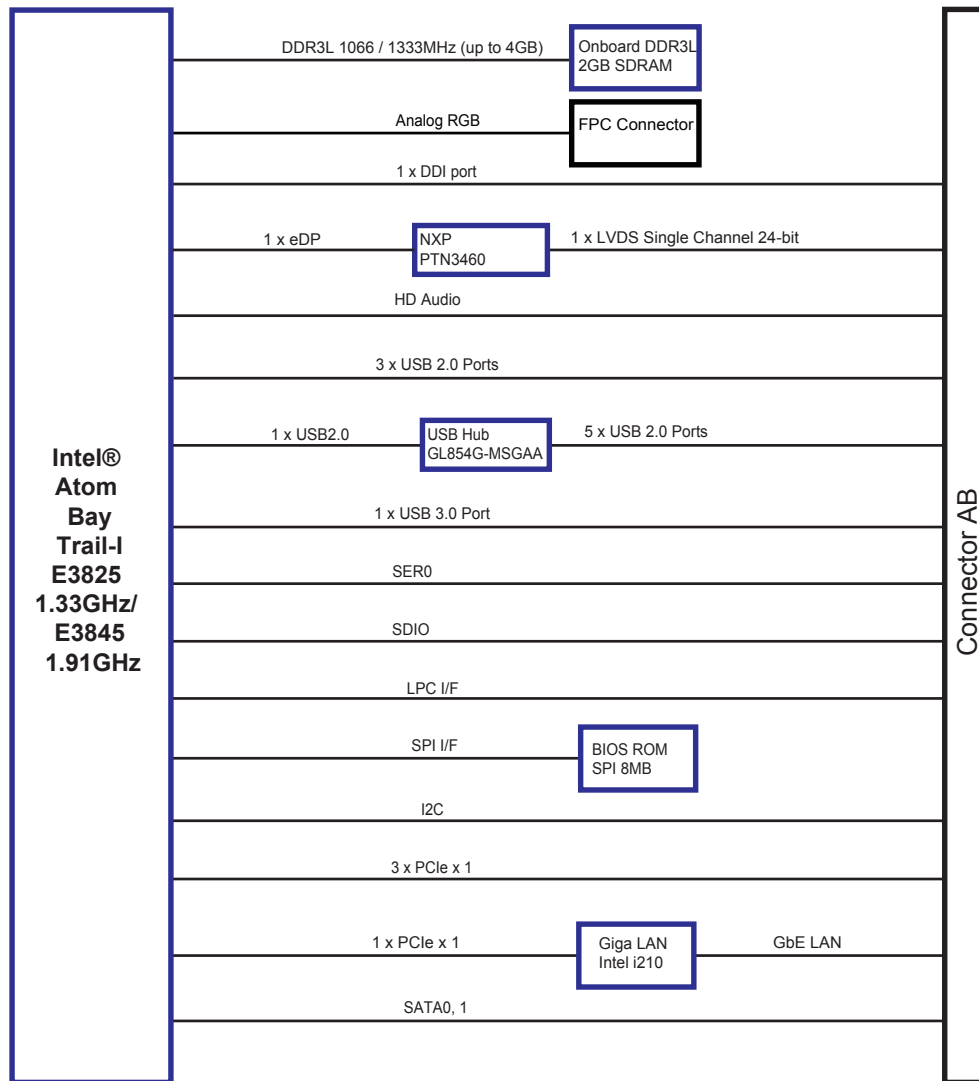
Mechanical & Environmental

Power Requirement	+12V or +5V (BOM Optional)
Power Consumption	1.05A@+12V with E3825 (Typical)
Operating Temp.	-20 ~ 70°C (-4 ~ 158°F)
Operating Humidity	0 ~ 90% (non-condensing)
Dimensions (L x W)	84 x 55 mm (3.30" x 2.17")

Dimensions



Block Diagram



Ordering Information

EmNANO-i2300-E3825	Intel Atom E3825 COM Express Type 10 CPU module
EmNANO-i2300-E3845	Intel Atom E3845 COM Express Type 10 CPU module
EmNANO-i2300-E3826(BTO)	Intel Atom E3826 COM Express Type 10 CPU module
EmNANO-i2300-E3827(BTO)	Intel Atom E3827 COM Express Type 10 CPU module
HS-0660-F1	Heat spreader
PBN-9007	COM Express® Mini evaluation carrier board (EPIC form factor)
CBK-05-9007-00	Cable Kit 1 x USB cable 1 x serial port cable 1 x SATA cable 1 x SATA power cable 1 x PS/2 cable