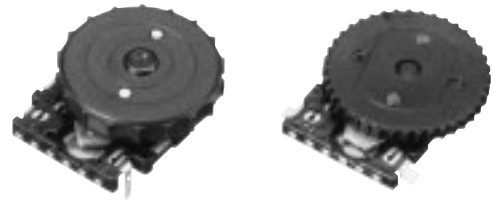


## Edge Drive Jog Encoders

Type: **EVQWK**



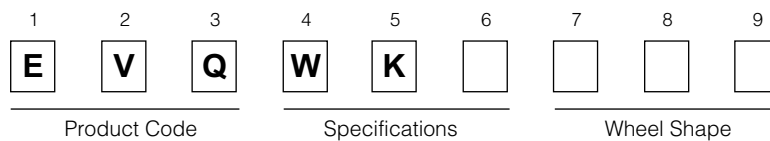
### ■ Features

- Tactile rotary operation and push operation
- Reflow soldering type available
- Anti-electrostatic measures available

### ■ Recommended Applications

- Memory paging and transmitting
- Menu selection and input for Portable Electronic Equipment

### ■ Explanation of Part Numbers

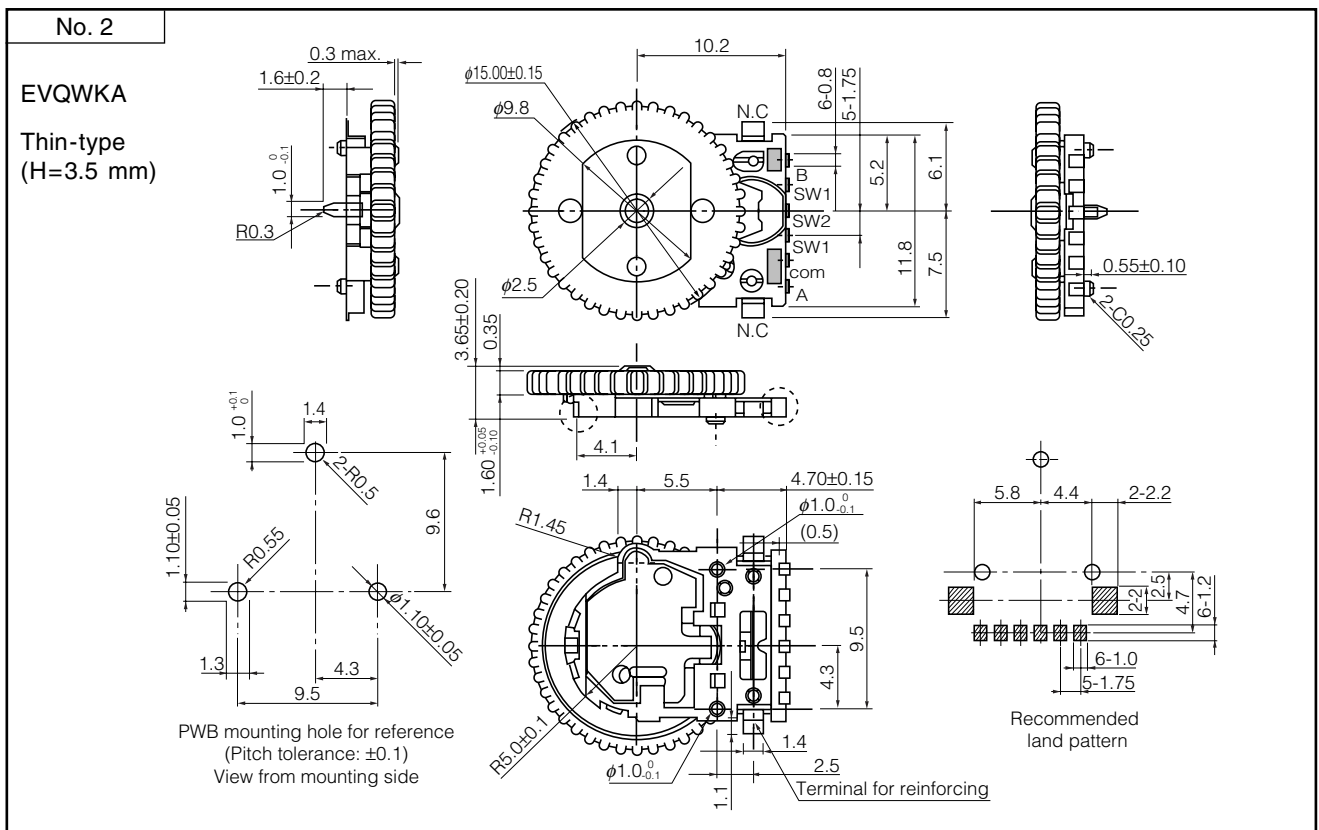
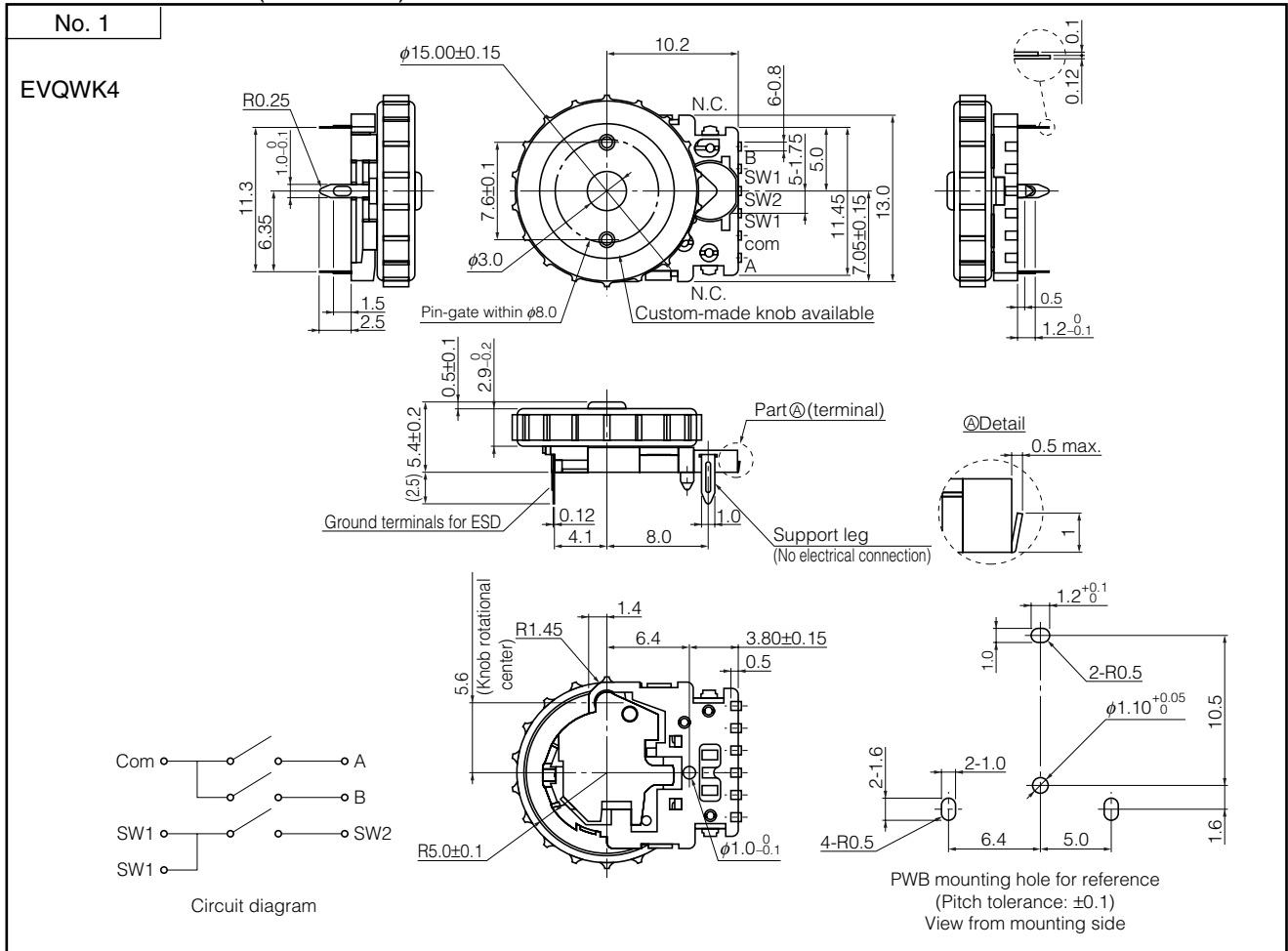


### ■ Specifications

|                               |                |                    |                                      |
|-------------------------------|----------------|--------------------|--------------------------------------|
| Mechanical                    | Encoder        | Detents            | 15 points                            |
|                               |                | Rotation Torque    | 1 mN·m to 10 mN·m                    |
|                               | Push-on Switch | Travel             | 0.3 mm (Thin-Type : 0.2 mm)          |
|                               |                | Operating Force    | 4.5 N±1.5 N                          |
| Electrical                    | Encoder        | Resolution         | 15 pulses/360 °                      |
|                               |                | Output Signals     | 2-Phases (A and B)                   |
|                               |                | Contact Resistance | 1 Ω max.                             |
|                               | Push-on Switch | Contact Resistance | 100 mΩ                               |
| Endurance                     | Encoder        | Rotation Life      | 100000 cycles min.                   |
|                               | Push-on Switch | Operating Life     |                                      |
| Minimum Quantity/Packing Unit |                |                    | 100 pcs. (Tray Pack)                 |
|                               |                |                    | 400 pcs. Embossed Taping (Reel Pack) |
| Quantity/Carton               |                |                    | 1000 pcs.                            |
|                               |                |                    | 1600 pcs.                            |

Design and specifications are each subject to change without notice. Ask factory for the current technical specifications before purchase and/or use. Should a safety concern arise regarding this product, please be sure to contact us immediately.

## ■ Dimensions in mm (not to scale)



Design and specifications are each subject to change without notice. Ask factory for the current technical specifications before purchase and/or use. Should a safety concern arise regarding this product, please be sure to contact us immediately.