



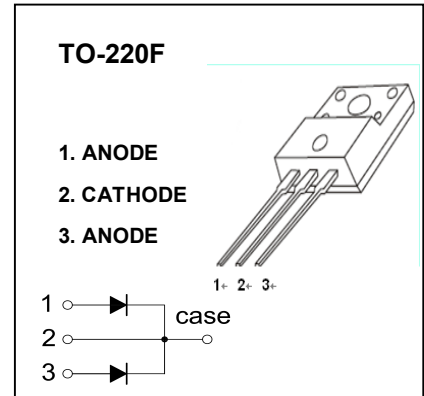
TO-220F Plastic-Encapsulate Diodes

MBRF1030,35,40,45,50CT

SCHOTTKY BARRIER RECTIFIER

FEATURES

- Schottky Barrier Chip
- Guard Ring Die Construction for Transient Protection
- Low Power Loss,High Efficiency
- High Surge Capability
- High Current Capability and Low Forward Voltage Drop
- For Use in Low Voltage, High Frequency Inverters,Free Wheeling, and Polarity Protection Applications



MAXIMUM RATINGS ($T_a=25^{\circ}\text{C}$ unless otherwise noted)

Symbol	Parameter	Value					Unit
		MBRF10 30CT	MBRF10 35CT	MBRF10 40CT	MBRF10 45CT	MBRF10 50CT	
V_{RRM}	Peak repetitive reverse voltage	30	35	40	45	50	V
V_{RWM}	Working peak reverse voltage						
V_R	DC blocking voltage						
$V_{R(RMS)}$	RMS reverse voltage	21	24.5	28	31.5	35	V
I_o	Average rectified output current	10					A
I_{FSM}	Non-Repetitive peak forward surge current 8.3ms half sine wave	120					A
P_D	Power dissipation	2					W
$R_{\theta JA}$	Thermal resistance from junction to ambient	50					$^{\circ}\text{C}/\text{W}$
T_j	Junction temperature	125					$^{\circ}\text{C}$
T_{stg}	Storage temperature	-55~+150					$^{\circ}\text{C}$

ELECTRICAL CHARACTERISTICS (T_a=25°C unless otherwise specified)

Parameter	Symbol	Device	Test conditions	Min	Typ	Max	Unit
Reverse voltage	V _(BR)	MBRF1030CT	I _R =0.1mA	30			V
		MBRF1035CT		35			
		MBRF1040CT		40			
		MBRF1045CT		45			
		MBRF1050CT		50			
Reverse current	I _R	MBRF1030CT	V _R =30V			0.1	mA
		MBRF1035CT	V _R =35V				
		MBRF1040CT	V _R =40V				
		MBRF1045CT	V _R =45V				
		MBRF1050CT	V _R =50V				
Forward voltage	V _{F(1)}	MBRF1030CT	I _F =5A			0.7	V
		MBRF1035CT					
		MBRF1040CT					
		MBRF1045CT					
		MBRF1050CT			0.8		
	V _{F(2)}	MBRF1030CT	I _F =10A			0.84	
		MBRF1035CT					
		MBRF1040CT					
		MBRF1045CT					
		MBRF1050CT			0.95		
Typical total capacitance	C _{tot}	MBRF1030-50CT	V _R =4V,f=1MHz		150		pF