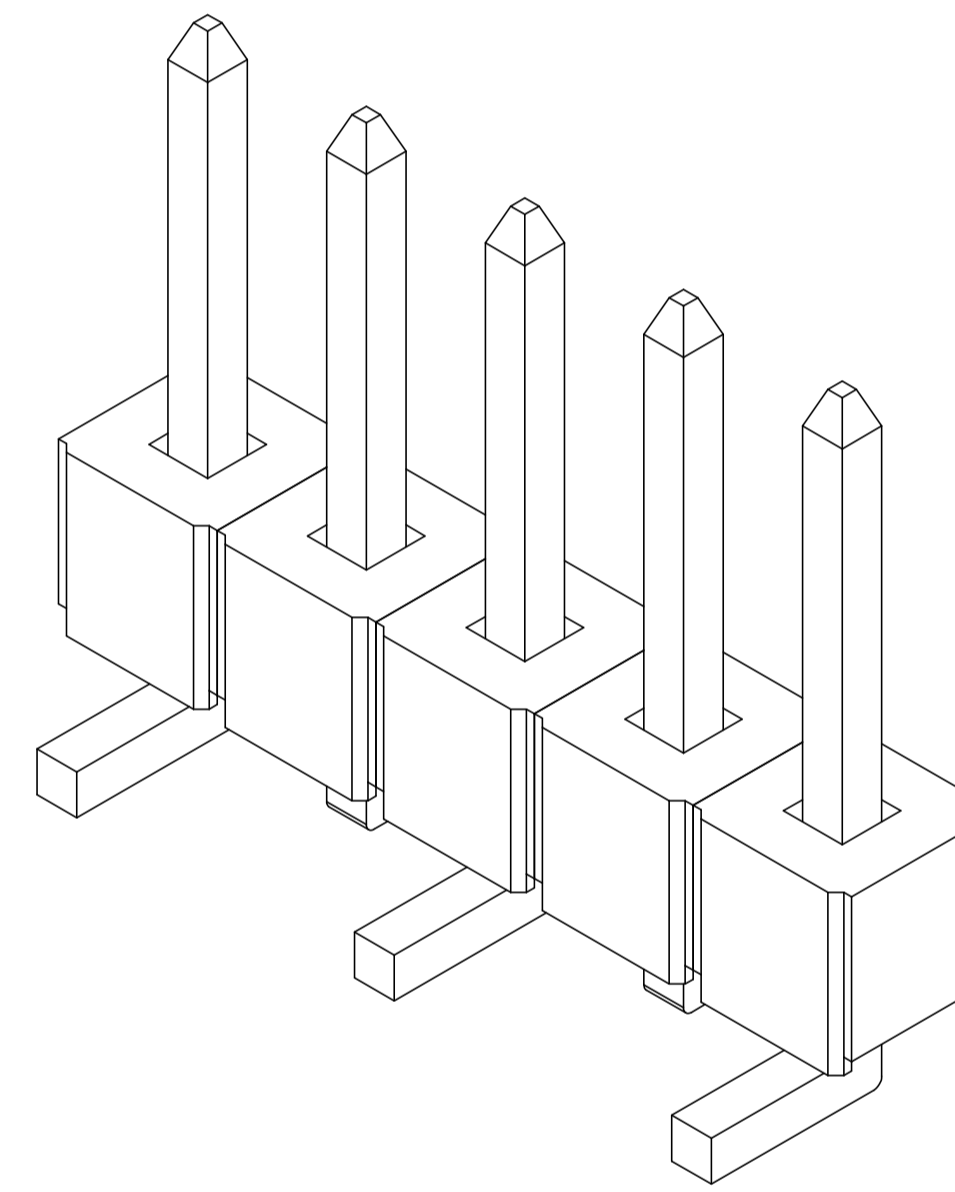
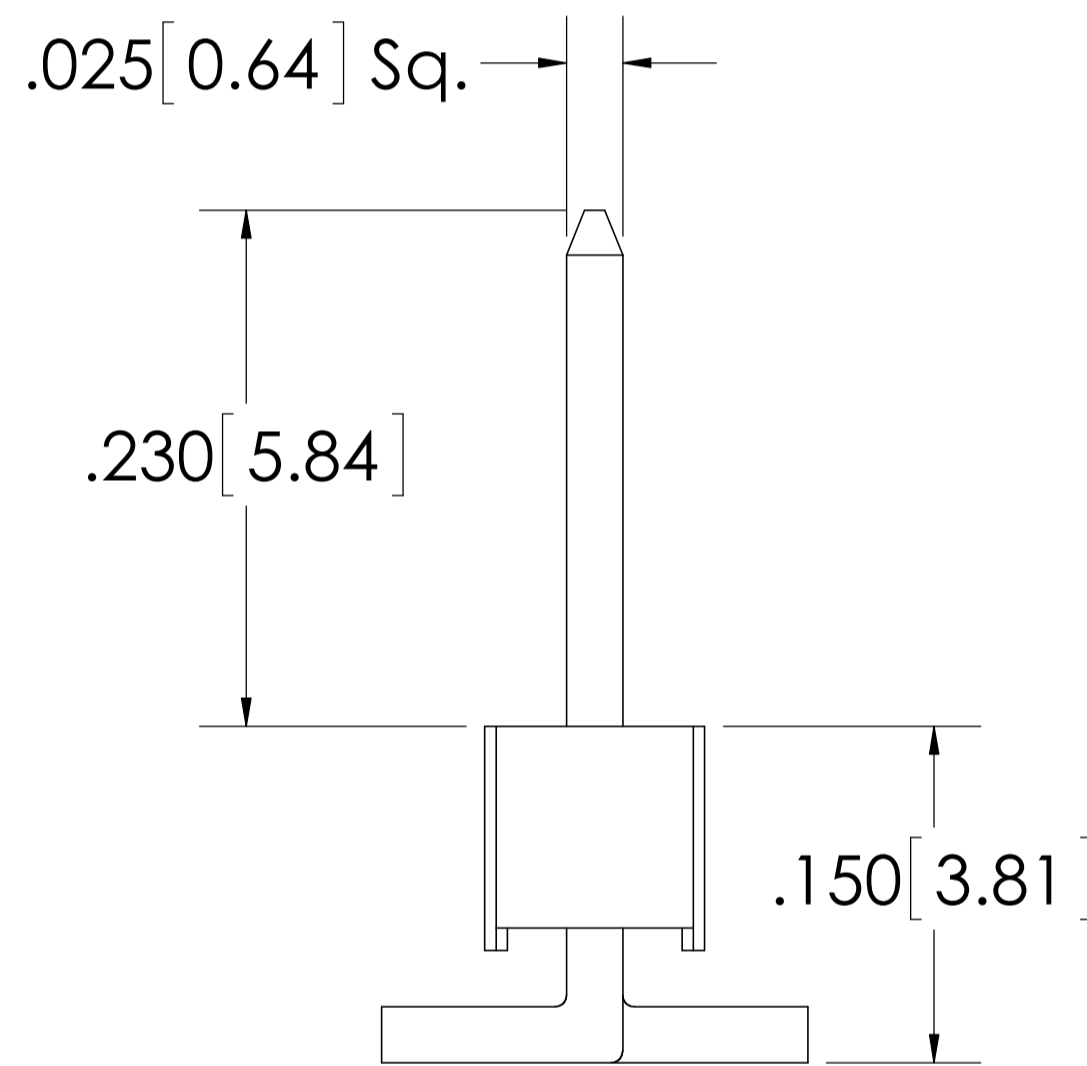
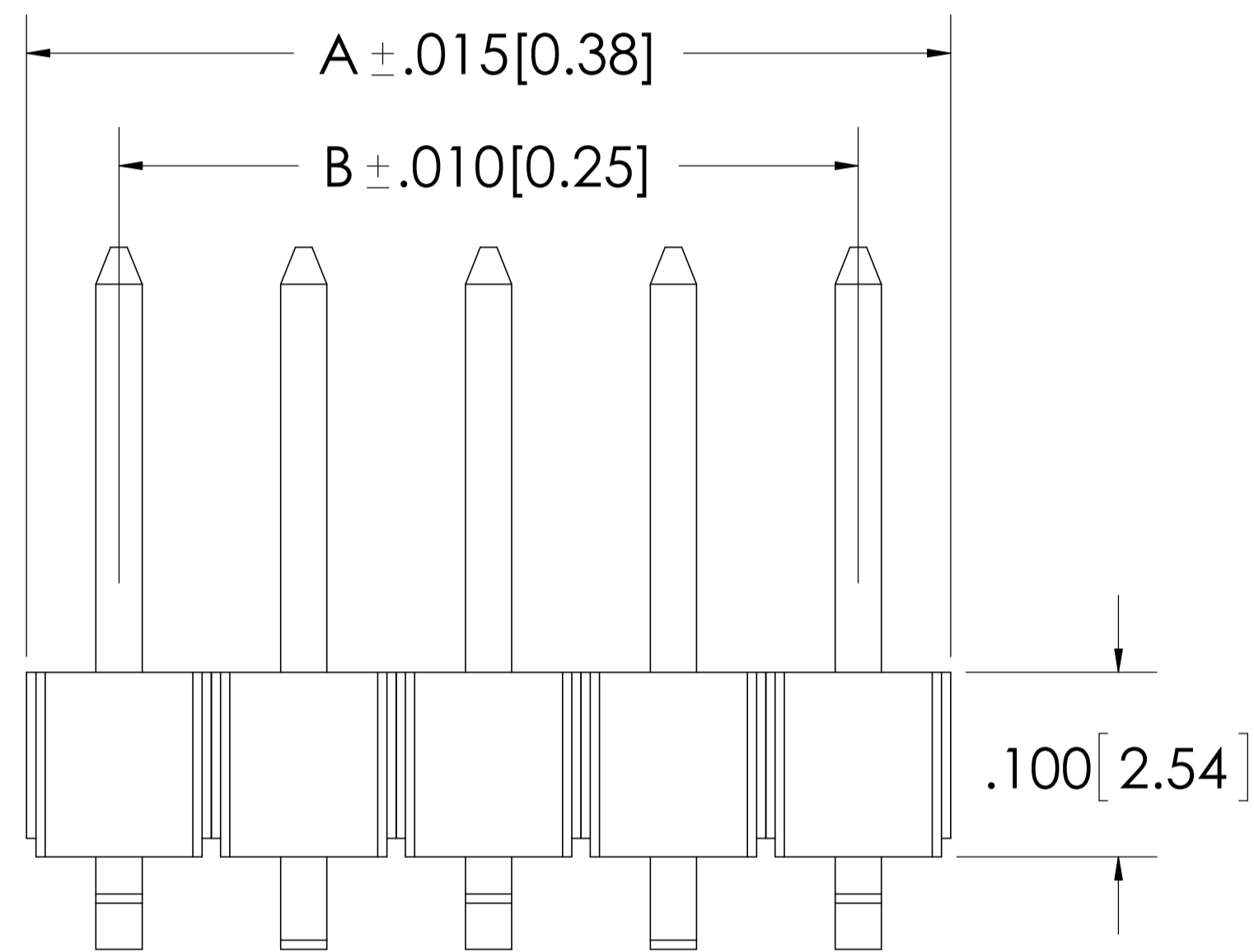
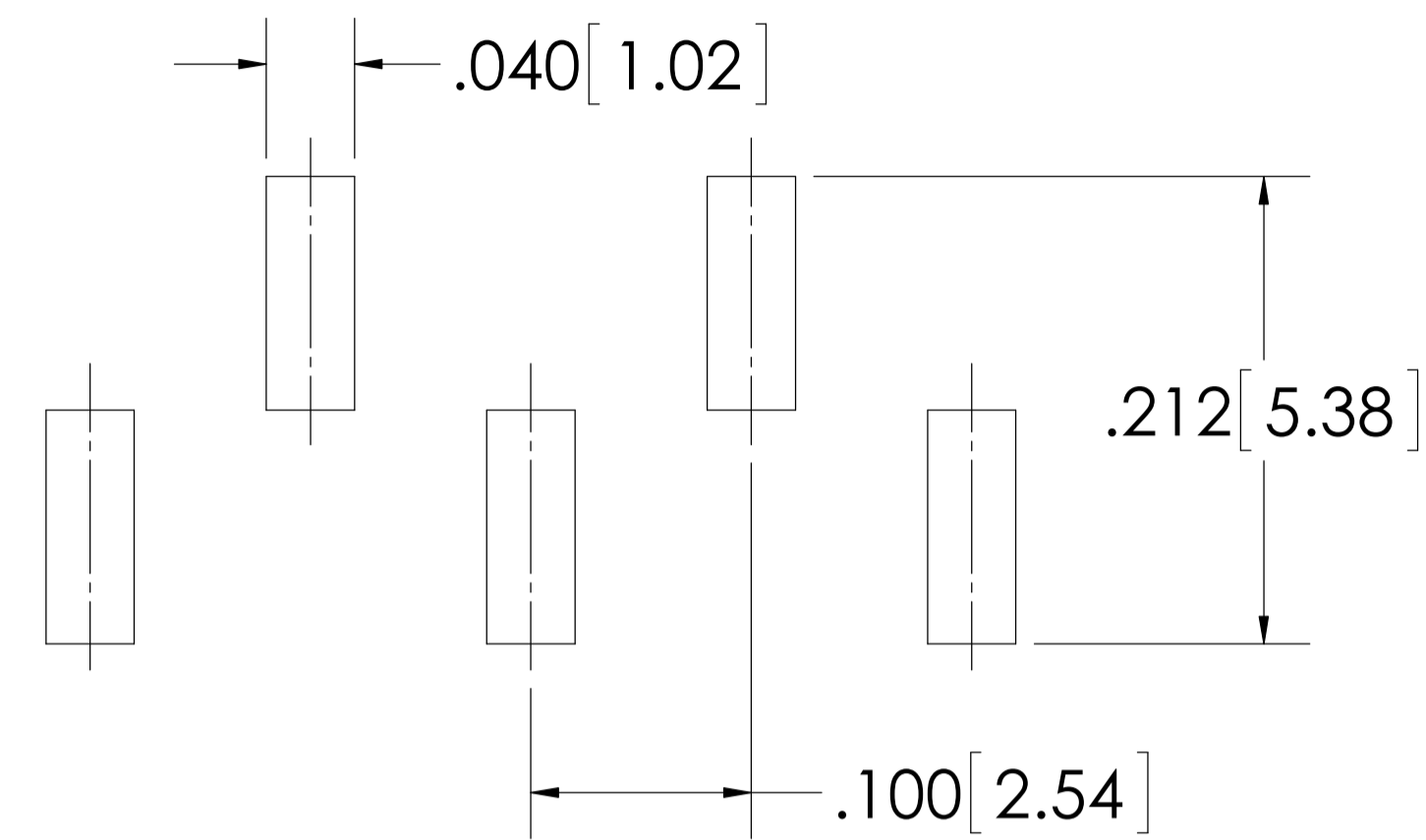
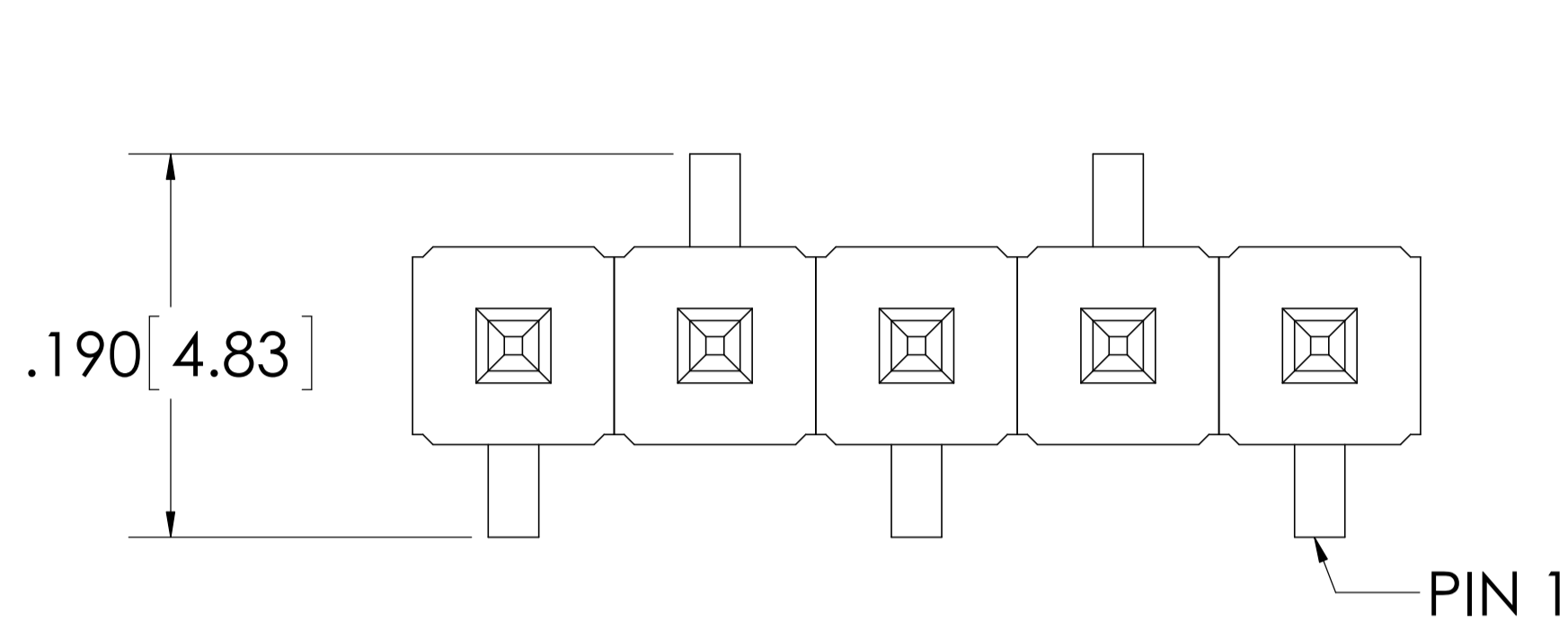


REVISIONS			
REV.	DESCRIPTION	DATE	APPROVED
A	Created Drawing	02/06/13	DC

RECOMMENDED PCB LAYOUT
General Tolerance .002[0.050]



Specifications:
 Current Rating: 3.0 Ampere
 Insulation Resistance: 1000M Ohms Min.
 Dielectric Withstanding: 600V AC
 Contact Resistance: 20m Ohms Max.
 Operating Temperature: -40°C to +105°C

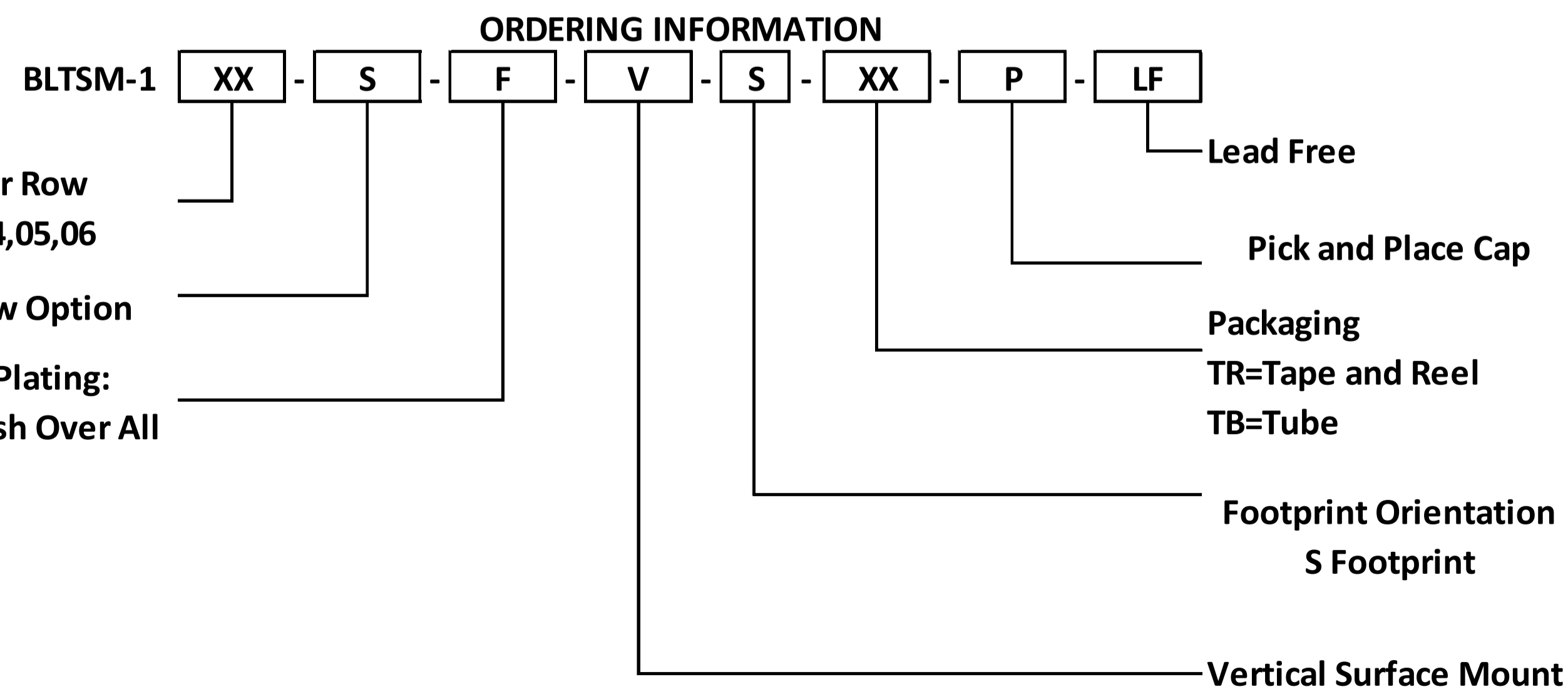
Materials:
 Contact Material: Brass
 Plating: Gold Flash over entire pin
 Insulator Material: Thermoplastic, UL94V-0, PBT
 Color: Natural

Max. Process Temperatures:
 Peak: 260°C up to 20 secs.
 Process: 230°C up to 60 secs.
 Wave: 260°C up to 6 Secs.
 Manual Solder: 350°C up to 5 secs.

All materials must meet Major League Electronics requirements for environmental protection.



CONTACTS	DIMENSIONS			
	A		B	
02	0.200	5.08	0.100	2.54
03	0.300	7.62	0.200	5.08
04	0.400	10.16	0.300	7.62
05	0.500	12.7	0.400	10.16
06	0.600	15.24	0.500	12.7
	Inches	MM	Inches	MM



UNLESS OTHERWISE SPECIFIED:		DATE	NAME
DIMENSIONS ARE IN INCHES TOLERANCES: ONE PLACE DECIMALS ±.100 TWO PLACE DECIMAL ±.010 THREE PLACE DECIMAL ±.005 FOUR PLACE DECIMAL ±.002		DRAWN 02/06/13	GWE
INTERPRET GEOMETRIC TOLERANCING PER:		CHECKED 02/06/13	DRC
MATERIAL	--	ENG APPR.	
FINISH	--	MFG APPR.	
		Q.A.	
		COMMENTS:	

Major League ELECTRONICS

4235 Earnings Way
New Albany, IN 47150
Phone: 812-944-7244 Fax: 812-944-7268
e-Mail: mle@mllelectronics.com

TITLE: BLTSM-1-SV-S

SIZE B	DWG. NO. Q:ASSEM/BL/BLTSM-1-SV-S	REV A
---------------	----------------------------------	--------------

SCALE: 8:1 WEIGHT: SHEET 1 OF 1

PROPRIETARY AND CONFIDENTIAL
 THE INFORMATION CONTAINED IN THIS DRAWING IS THE SOLE PROPERTY OF MAJOR LEAGUE ELECTRONICS. ANY REPRODUCTION IN PART OR AS A WHOLE WITHOUT THE WRITTEN PERMISSION OF MAJOR LEAGUE ELECTRONICS IS PROHIBITED.

