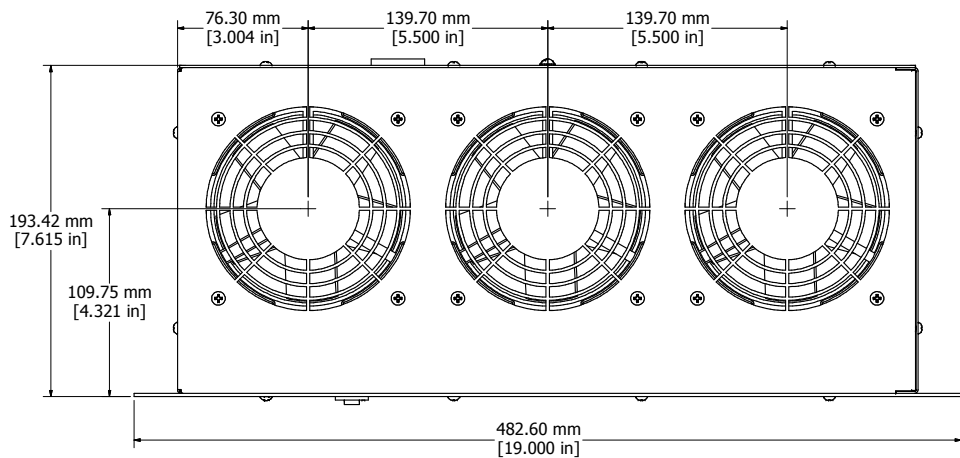
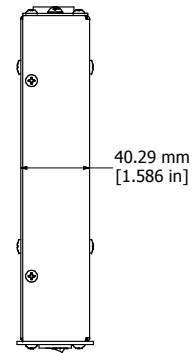


10A, 230V IEC 320 - C14
INLET RECEPTACLE

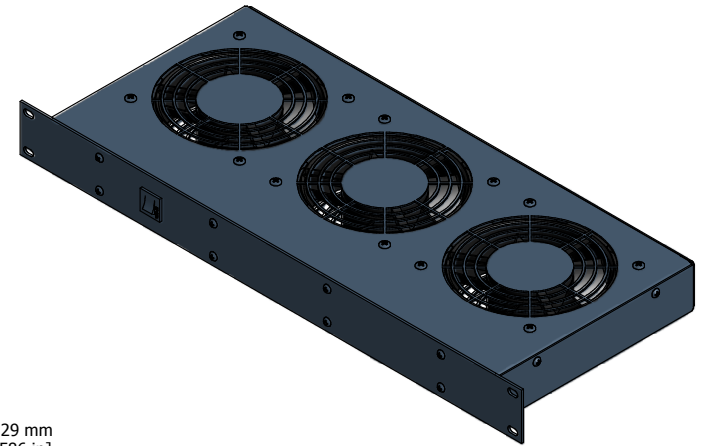
ASSEMBLY - VIEW FROM BACK



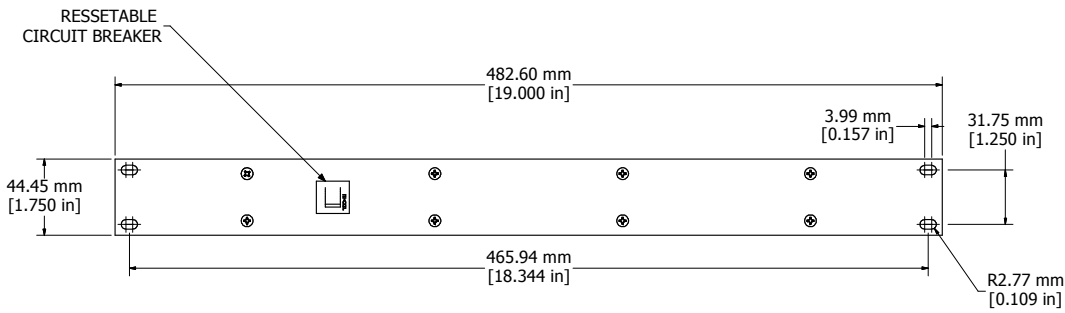
ASSEMBLY - VIEW FROM TOP



ASSEMBLY - VIEW FROM SIDE



ISOMETRIC VIEW



ASSEMBLY - VIEW FROM FRONT

FT300TA1220BK
Finish - Black Textured Powder Paint
Rated - 230 VAC, 50/60 Hz, 3 Amps
Free Flow Air Delivery - 300 CFM



**HAMMOND
MANUFACTURING™**

FT300TA1220BK

www.hammondmfg.com