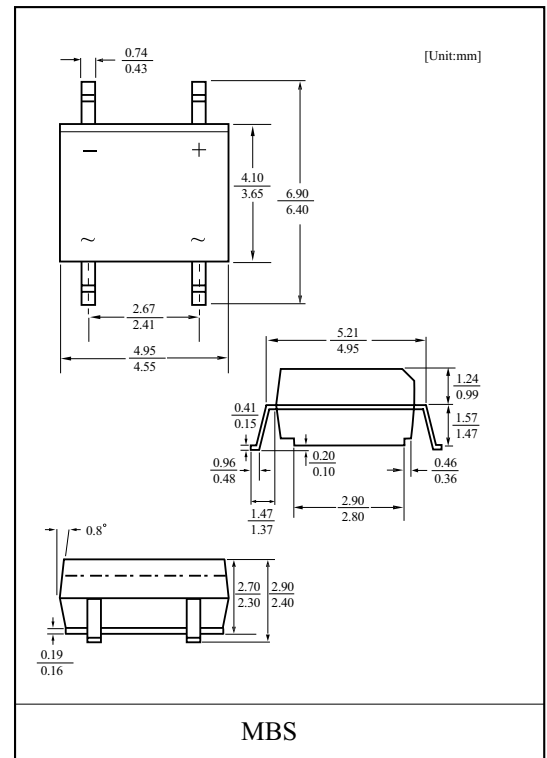


FEATURES

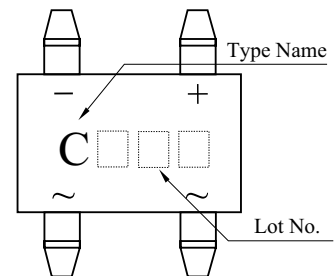
- Plastic package has Underwriters Laboratory flammability Classification 94V-0.
- Glass passivated chip junction.
- High surge overload rating : 35A peak.
- Saves space on printed circuit boards.
- High temperature soldering guaranteed : 260 °C/10 seconds.

MAXIMUM RATING (Ta=25 °C)

CHARACTERISTIC	SYMBOL	RATING	UNIT
repetitive peak reverse voltage	V_{RRM}	600	V
RMS voltage	V_{RMS}	420	V
DC blocking voltage	V_{DC}	600	V
Average forward output rectified current (see Fig.1) On glass-epoxy P.C.B on aluminum substrate.	$I_{F(AV)}$	0.5 (Note1) 0.8 (Note2)	A
Peak forward surge current	I_{FSM}	35.0	A
Rating for fusing (t<8.3ms)	I _t	5.0	A ² sec
Operating Junction and Storage Temperature Range	T _j , T _{stg}	-55~150	°C



Marking



ELECTRICAL CHARACTERISTICS (Ta=25 °C)

CHARACTERISTIC	SYMBOL	CONDITION	MIN	TYP	MAX	UNIT
Forward voltage	V_F	$I_F=0.4A$	-	-	1.0	V
Leakage current	I_R	$V_R=600V$	-	-	5.0	μA
					100	
Junction capacitance	C_j	$V_R=4.0V, f=1.0MHz$	-	13	-	pF
Typical thermal resistance	$R_{th(A)}$ (Note1)	Junction to ambient	-	-	85	$^{\circ}C/W$
	$R_{th(A)}$ (Note2)				70	
	$R_{th(L)}$ (Note1)	Junction to lead	-	-	20	

Note 1) on glass epoxy P.C.B mounted on 0.05 × 0.05" (1.3 × 1.3mm) Pads.

Note 2) on aluminum substrate P.C.B with an area of 0.8 × 0.8" (20 × 20mm) mounted on 0.05 × 0.05" (1.3 × 1.3mm) solder pad.

Fig.1 Derating Curve for Output Rectified Current

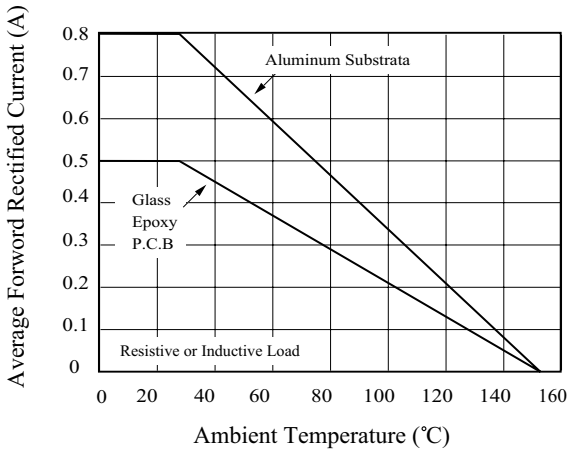


Fig.2 Maximum Non-Repetitive Peak Forward Surge Current Per Leg

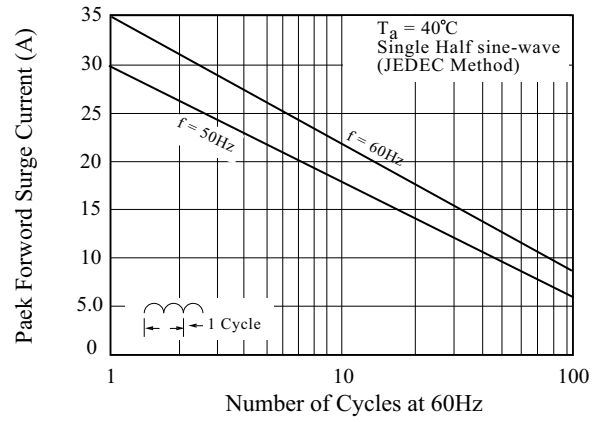


Fig.3 Typical Forward Characteristics Per Leg

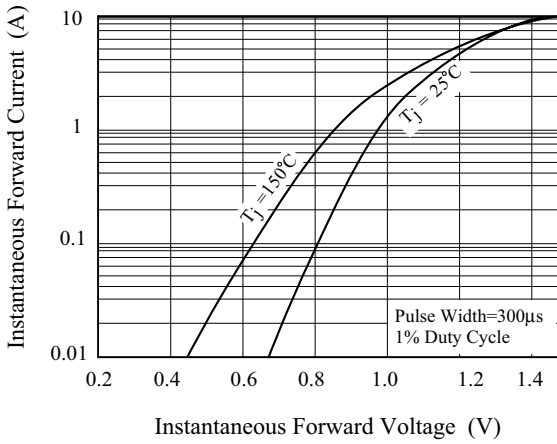


Fig.4 Typical Reverse Leakage Characteristics Per Leg

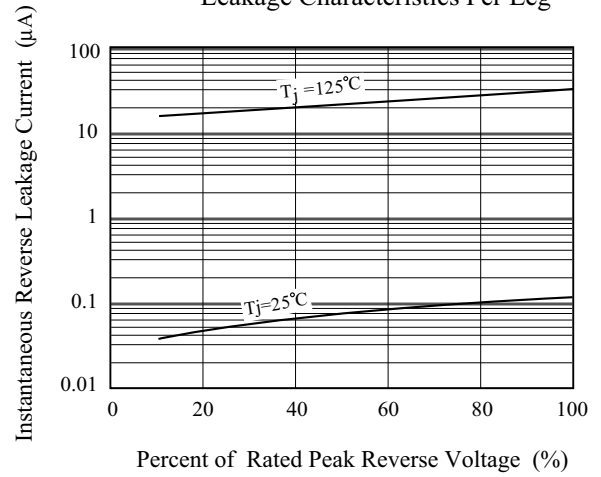


Fig.5 Typical Junction Capacitance Per Leg

