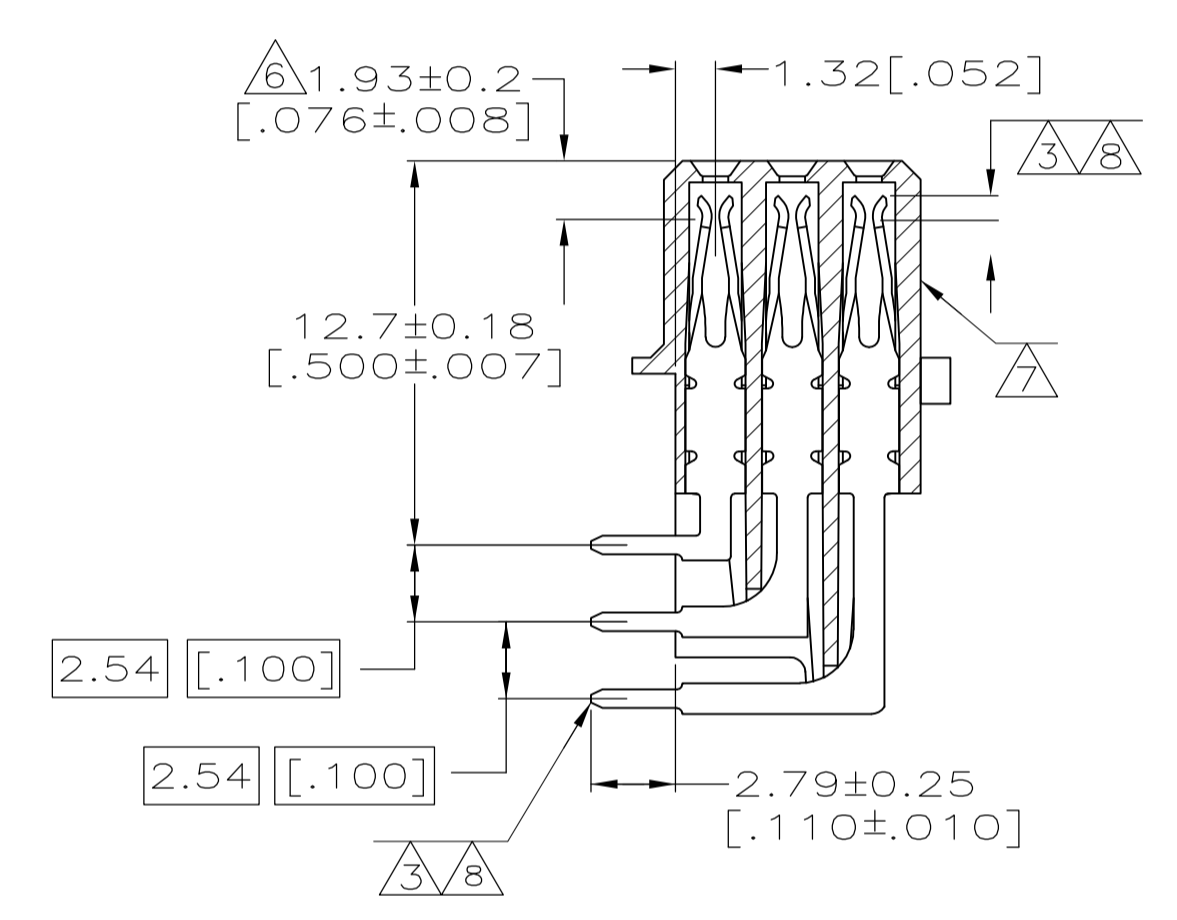
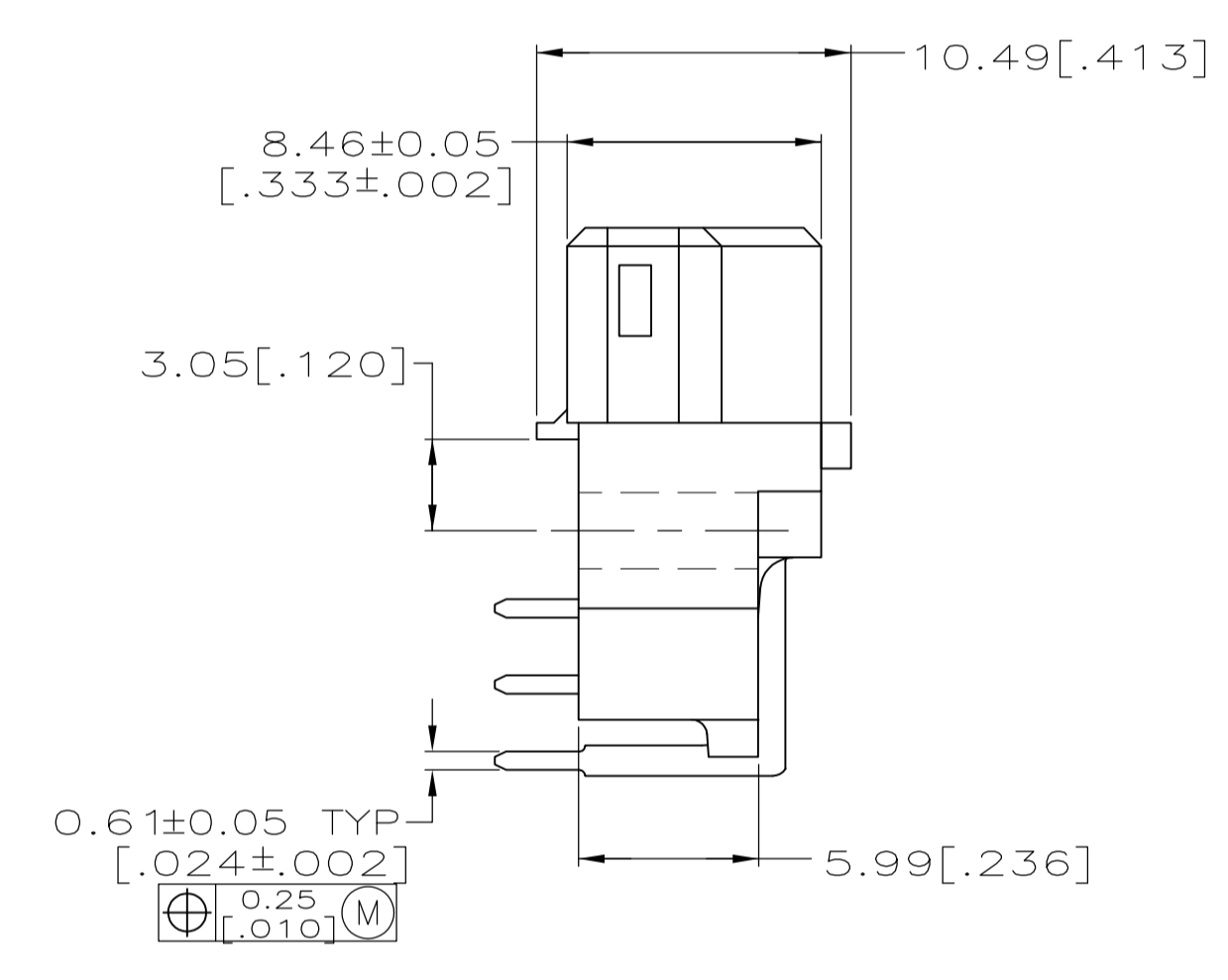
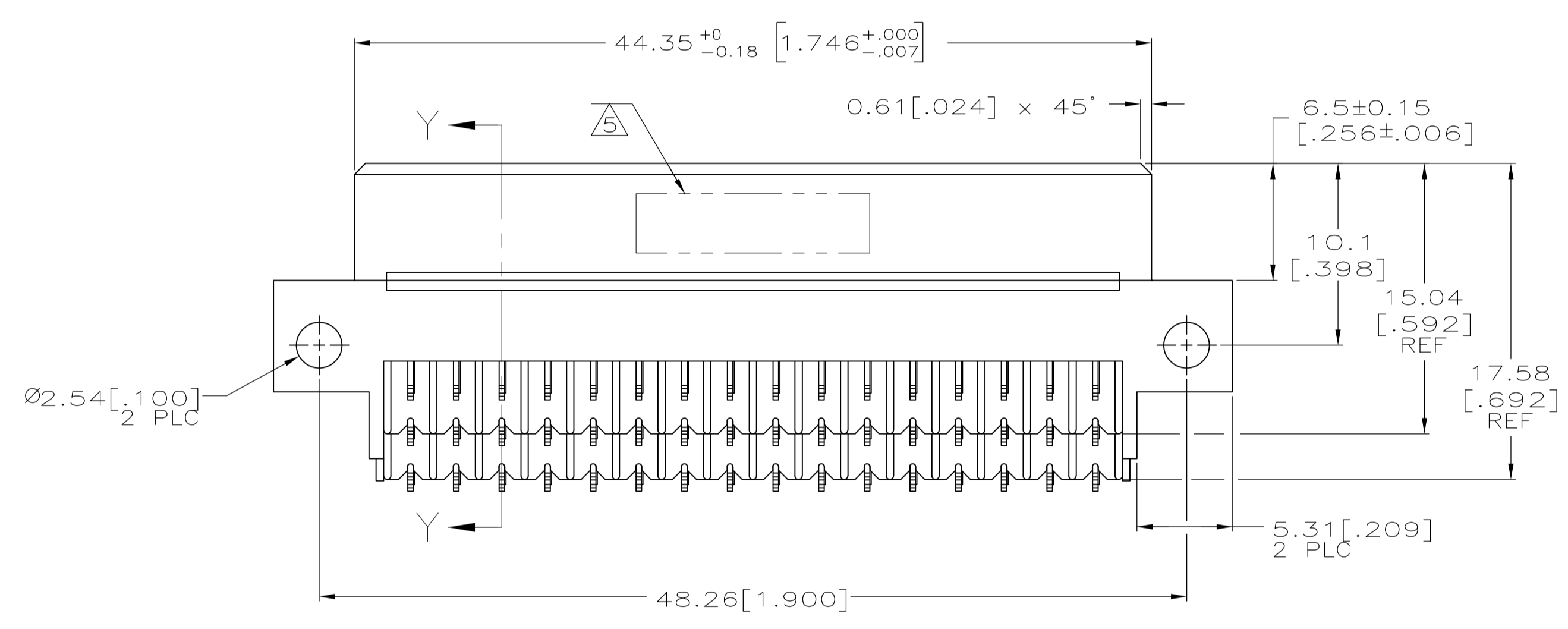
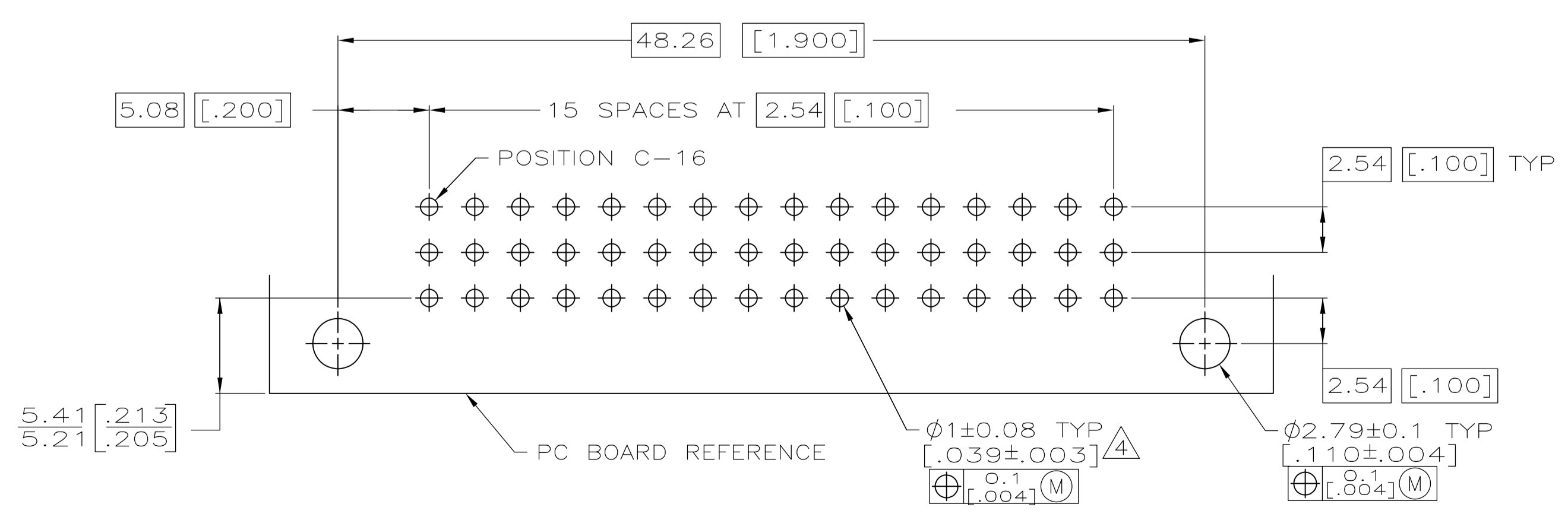
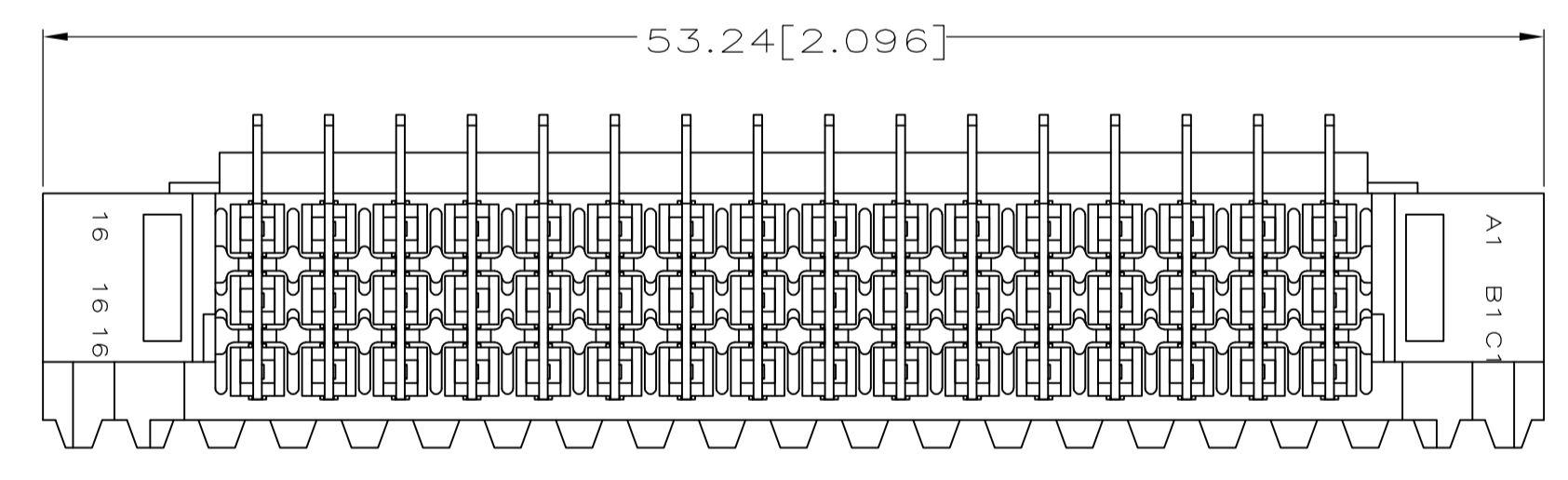


- ① HOUSING MATERIAL: GLASS-FILLED POLYMER.
- ② CONTACT MATERIAL: COPPER ALLOY.
- ③ CONTACT FINISH: DIN 41612 CLASS 2 IN CONTACT AREA. TIN PLATE ON POSTS.
- ④ RECOMMENDED HOLE SIZE FOR MANUAL APPLICATION OF CONNECTOR ONTO PC BOARD.
- ⑤ PART NUMBER, DATE CODE IDENTIFICATION, CSA LOGO, THIS APPROXIMATE AREA.
- ⑥ CONTACT POINT.
- ⑦ MARKING ON THIS SIDE.
- ⑧ CONTACT FINISH: DIN 41612 CLASS 3 IN CONTACT AREA. TIN PLATE ON POSTS.



SECTION Y-Y



NOTES	POSITIONS LOADED	C	B	A	NO. OF LOADED POSITION	ASSY PART NUMBER
⑤	1 THRU 16	X	X	X	48	5650868-9
③	1 THRU 16	X	X	X	48	5650868-5
③	1 THRU 16	X	X	X	48	5650868-4

THIS DRAWING IS A CONTROLLED DOCUMENT.

DIMENSIONS: mm [INCHES]	TOLERANCES UNLESS OTHERWISE SPECIFIED:	DIN J. POLIGNONE	03JUN05	TE Connectivity ASSEMBLY, RECEPTACLE, EUROCARD, TYPE 1/2R, LEAD-FREE, 48 POSITION 2.79[.110] SOLDER POSTS
0 PLC ± - 1 PLC ± - 2 PLC ± - 3 PLC ± 0.1[.005] 4 PLC ± - ANGLES ± -	0.1 [.004] (M)	A. SHARPE PRODUCT SPEC	03JUN05 A. SHARPE APPLICATION SPEC	
MATERIAL	FINISH	WEIGHT	SIZE	A1 00779 C=5650868 CUSTOMER DRAWING

SCALE: 4:1 SHEET 1 of 1 REV P