



15mm Bayonet Based LED Lamps

For aftermarket use. May not comply with SAE or DOT standards.

LED brake/tail lamps may not work with some older thermal flasher units. An LED brake/tail lamp will require an electronic flasher/blinker unit which is commonly available at your auto parts store.

Features

- Easily replaces standard 1157 & 2057 bulb types
- LED bulbs have greater durability than incandescent bulbs
- LED bulbs turn on to full intensity in nanoseconds, providing following drivers 19 extra feet of stopping distance at 65mph
- Low power (Wattage) draw, puts less load on the motorcycle electrical system, like alternator & battery
- LED last for 100,000 hours
- Little-or-no heat, always cool to the touch
- Three-year lamp warranty

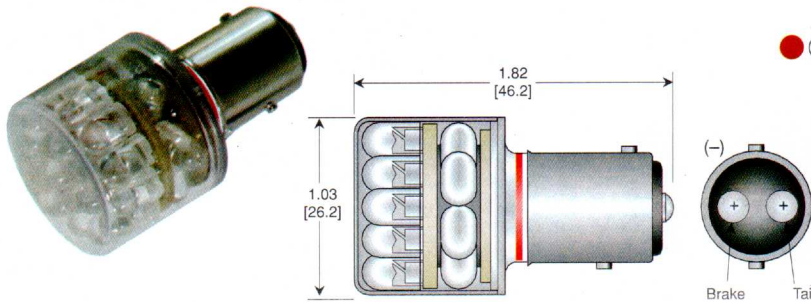
Custom Options

(for qualified applications)

- Other voltages available
- Other bases available
- Other colors available

Applications

- Stop, tail light and license plate lights
- Motorcycles



Patent pending

● ○ **Brake / Tail / License Plate Light** for 12/14 Volt Applications
AUT1157M-ORW-014V
 Other Voltages: 36V, 48V

Replacement for: Incandescent number 1157, 2057 & European P21/5W bulbs

Base Size: 15mm

Base Type: Index Dual Contact (DC) Bayonet

Output Colors: Taillight; Super Red 633nm
License; Cool White 8000K

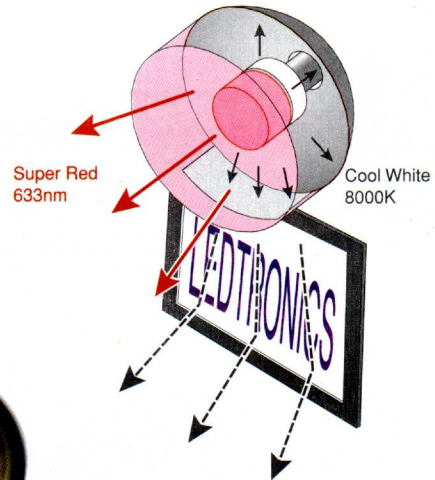
Operating Voltage: 12-14VDC

Red Brake Light Mode, Total Light Output
(End Lumens/End Footcandles): 75

Red Tail Light Mode, Total Light Output
(End Lumens/End Footcandles): 6

Cool White, Total Light Output
(End Lumens/End Footcandles): 36

Number of LEDs: 18 Red, 6 White



Log # 137D Rev 2-2002

Motorcycle

- Three-Year Lamp Warranty

Specifications subject to change without notice.

LEDTRONICS, INC.
THE FUTURE OF LIGHT



23105 Kashiwa Court, Torrance, CA 90505
 Phone: (800) 579-4875 or (310) 534-1505
 Fax: (310) 534-1424
 E-mail: webmaster@ledtronics.com
 Website: www.ledtronics.com