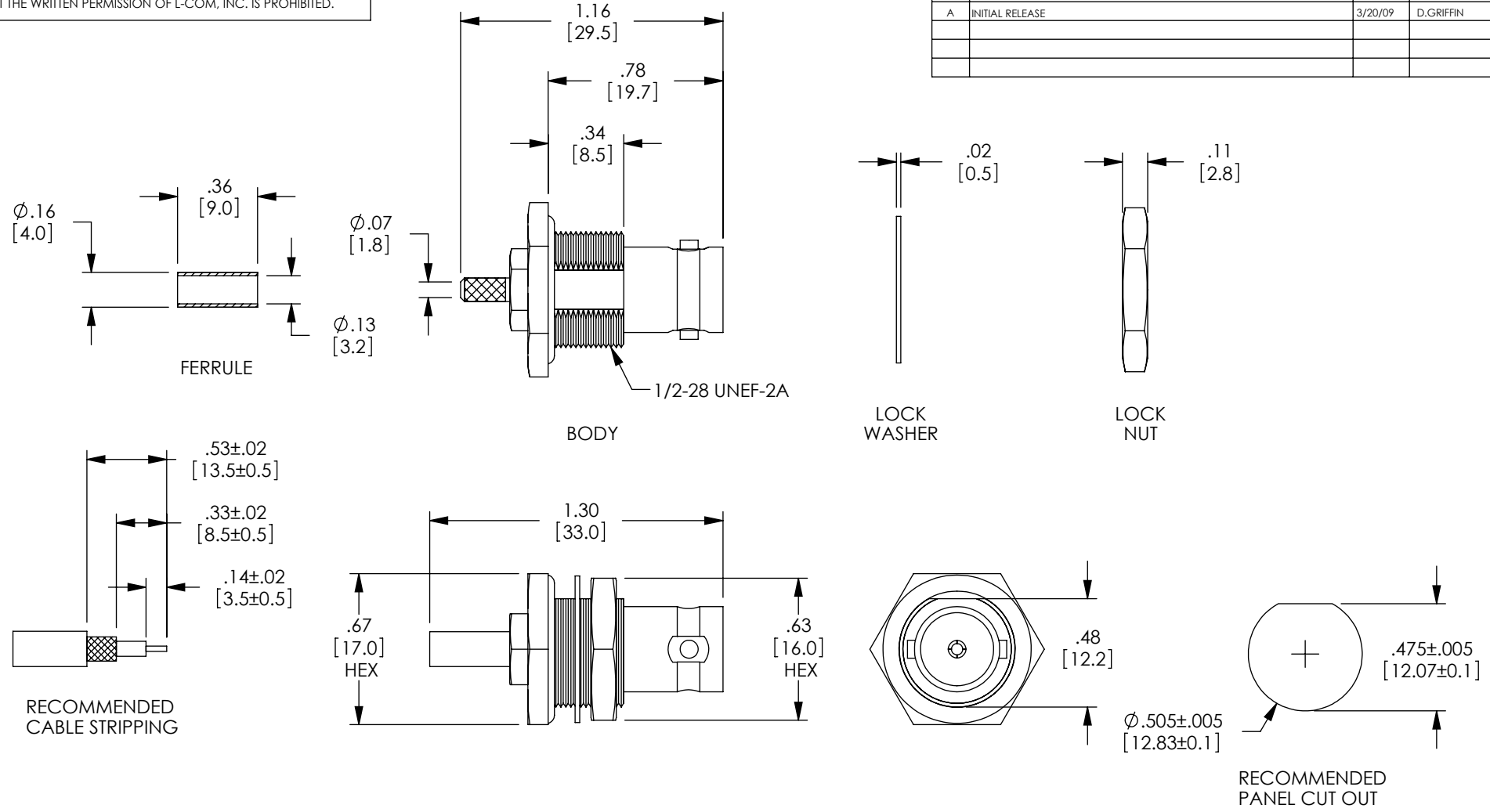


THE INFORMATION CONTAINED IN THIS DRAWING IS THE SOLE PROPERTY OF L-COM, INC. ANY REPRODUCTION IN PART OR WHOLE WITHOUT THE WRITTEN PERMISSION OF L-COM, INC. IS PROHIBITED.

REVISIONS			
REV	DESCRIPTION	DATE	APPROVED
A	INITIAL RELEASE	3/20/09	D.GRIFFIN



**RoHS Compliant** ✓

NOTES:  
 IMPEDANCE: 50 OHM  
 APPLICATION: RG174/U  
 RECOMMENDED HEX CRIMP TOOL SIZE: .133 IN [3.38mm]  
 ALL DIMENSIONS ARE FOR REFERENCE ONLY.  
 COMPONENT SHALL BE INDIVIDUALLY PACKAGED IN A POLY BAG.

UNLESS OTHERWISE SPECIFIED, DIMENSIONS ARE IN INCHES [mm] OVERALL CABLE LENGTH TOLERANCE: $\leq 12$ [305] = +1 [25] / -0 $>12$ [305] $\leq 60$ [1524] = +2 [51] / -0 $>60$ [1524] $\leq 120$ [3048] = +4 [102] / -0 $>120$ [3048] $\leq 300$ [7620] = +6 [152] / -0 $>300$ [7620] = +5% / -0% ALL OTHER DIMENSIONAL TOLERANCES: .X = ±.3 .XX = ±.15 PROJECTION 	APPROVALS DRAWN BY D.FRISIELLO CHECKED BY D.CASTRO APPROVED BY D.DOLCE	DATE 3/18/09 3/18/09 3/18/09	45 BEECHWOOD DRIVE NORTH ANDOVER, MA 01845		
	CATEGORY <b>COAXIAL</b>			PRODUCT DESCRIPTION <b>BNC, FEMALE, BULKHEAD, RG174</b>	
	CONFIGURATION DETAILS OF UNDIMENSIONED FEATURES MAY VARY COLOR VARIATIONS MAY OCCUR	SIZE <b>A</b>	FSCM NO. <b>43321</b>		DWG. NO. <b>BAC540</b>
	SCALE: NONE		CAD FILE: BAC540.SLDDRW		SHEET 1 OF 1