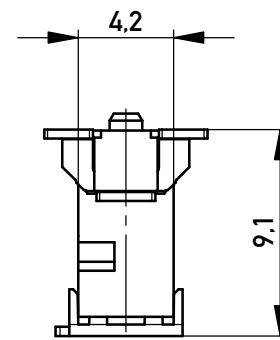
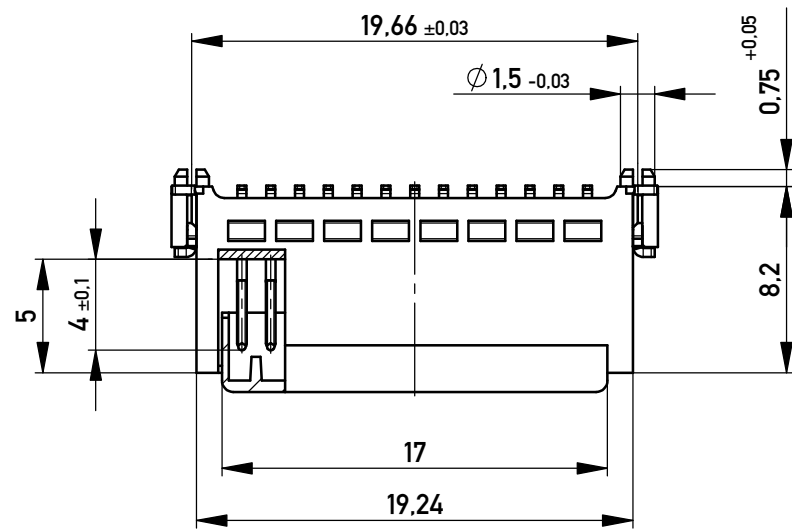
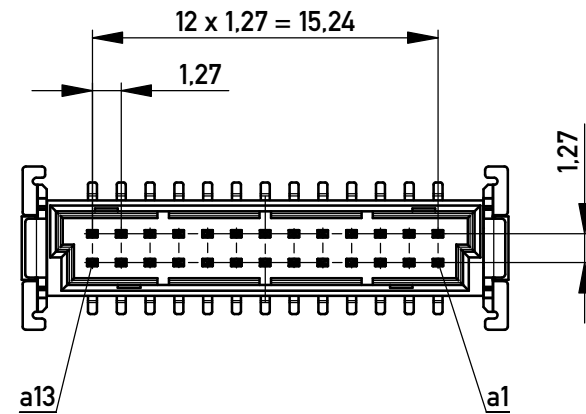
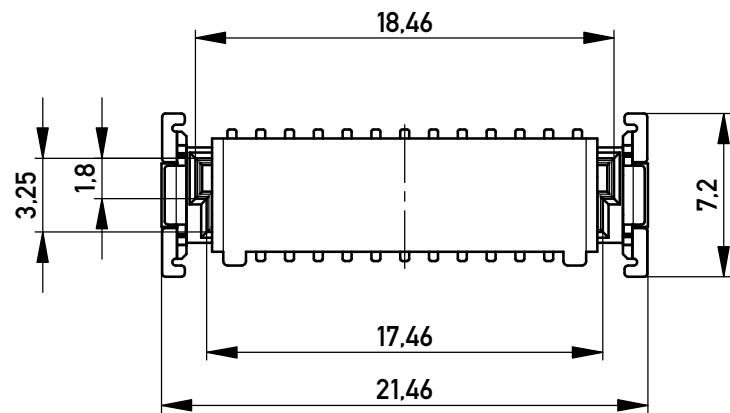
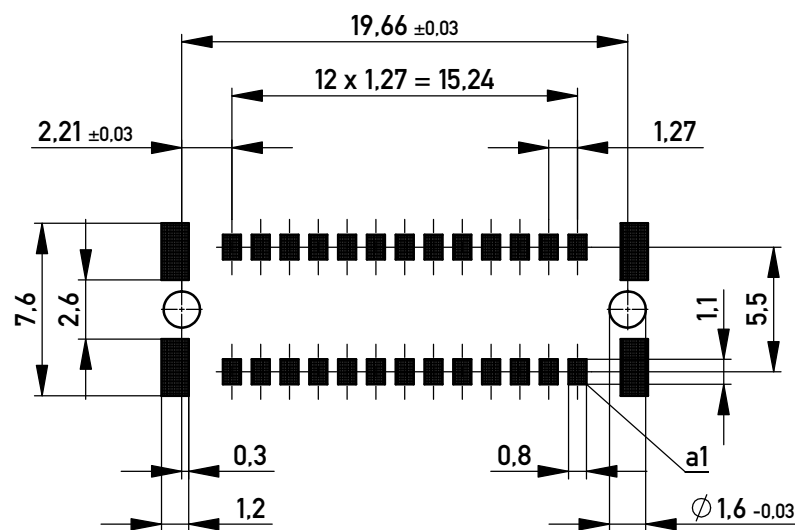


ohne Ansaughaube - without hood



Leiterplatten-Layout Vorschlag für SMT
PCB-Layout Proposal for SMT



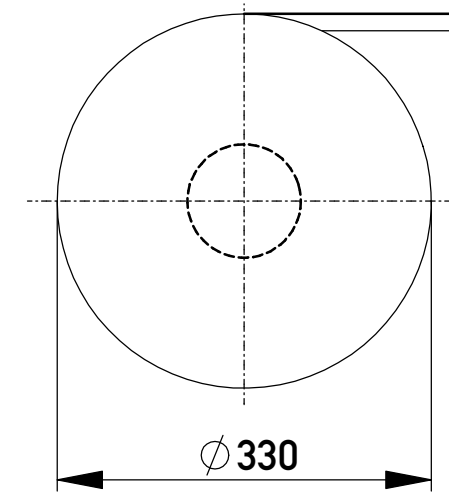
Anforderungsstufe 1
Performance Level 1

Kontaktbereich vergoldet
Mating Area gold plating

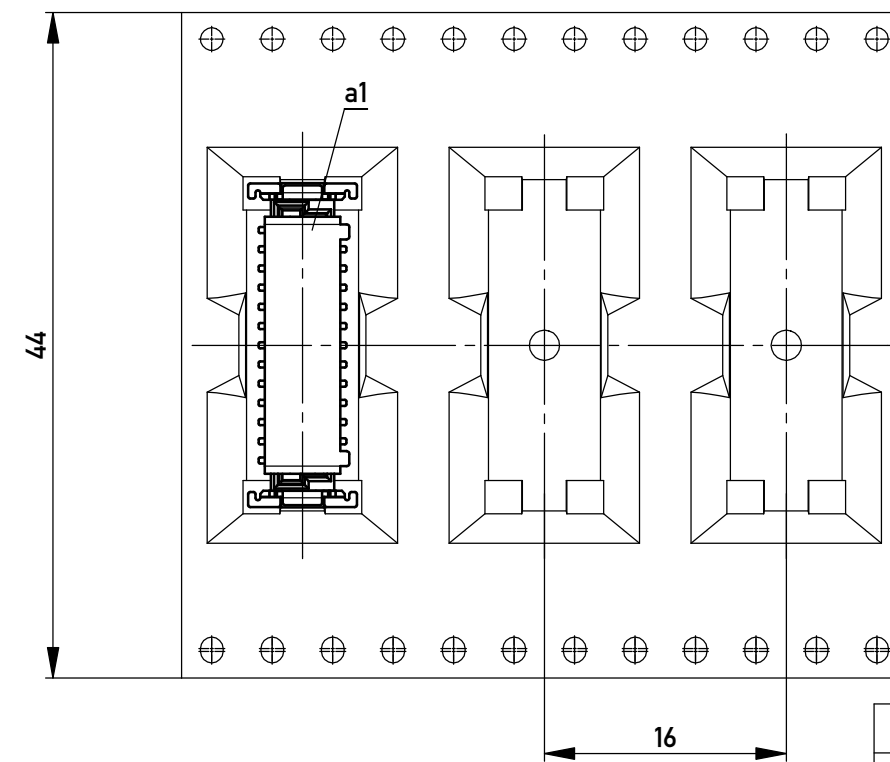
Anschlussbereich verzinkt 4-6 µm
Terminal Area 4-6 µm tin plating

Koplanarität der Anschlüsse ≤ 0,1 mm
Coplanarity Area of Termination ≤ 0,1 mm

Verpackt im Gurt nach DIN IEC 60286-3
Tape on Reel Packaging according to DIN IEC 60286-3
Vorlaufband 200 mm / Nachlaufband 200 mm
Leader 200 mm / Trailer 200 mm
Verpackungseinheit: 280 Stück
Packaging unit: 280 pcs



Abspulrichtung - Reel off Direction



BA 3-03 - Standard Bauhöhe
type 3-03 - Standard Assembly Height

| | | | |
|--|------------|----------------------|---|
| Information: | | Tolerances | Scale 3:1 |
| All rights reserved. Only for Information. To ensure that this is the latest version of this drawing, please contact one of the ERNI companies before using. | | All Dimensions in mm | Designation |
| Subject to modification without prior notice. Drawing will not be updated. | | www.ERNI.com | Messerrl. SMC-Q-26-SMD-BA3-03 Male SMC-Q 26-SMT-type3-03 |
| e | 24.02.2014 | 100203440002 | K |
| Index | Date | | A3 |
| | | Class | SMCQ |

Copyright by ERNI GmbH
Proprietary notice pursuant to ISO 16016 to be observed.