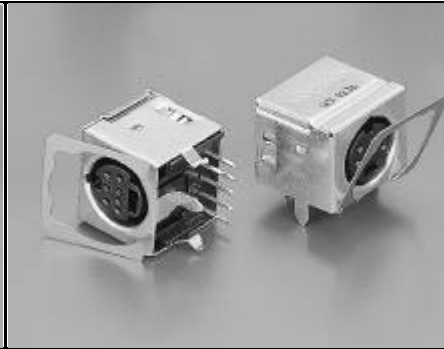
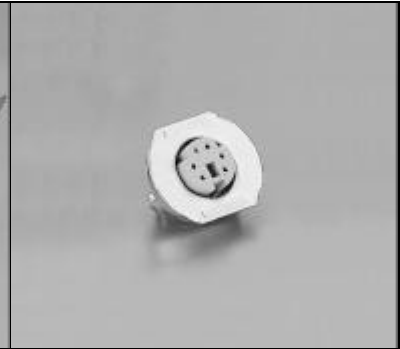


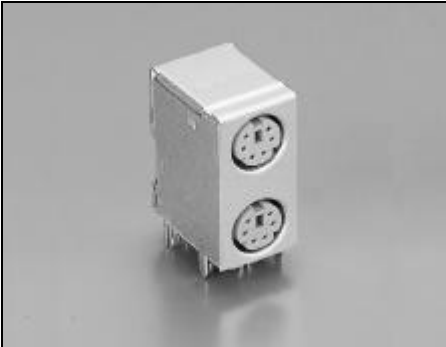
WITH HOOK



WITH GROUNDING- SINGLE



STRAIGHT



STACK



WITH GROUNDING- STACK



WITH SCREW HOLE

MATERIALS/FINISHES

INSULATOR
THERMOPLASTIC (UL 94V-0)

CONTACT
COPPER ALLOY
CONTACT AREA:
GOLD OVER Ni (50u" MIN.)
SOLDER AREA:
TIN/LEAD (100u" MIN.) OVER Ni (50u" MIN.)

SHELL
COPPER ALLOY
TIN PLATING

SPECIFICATION

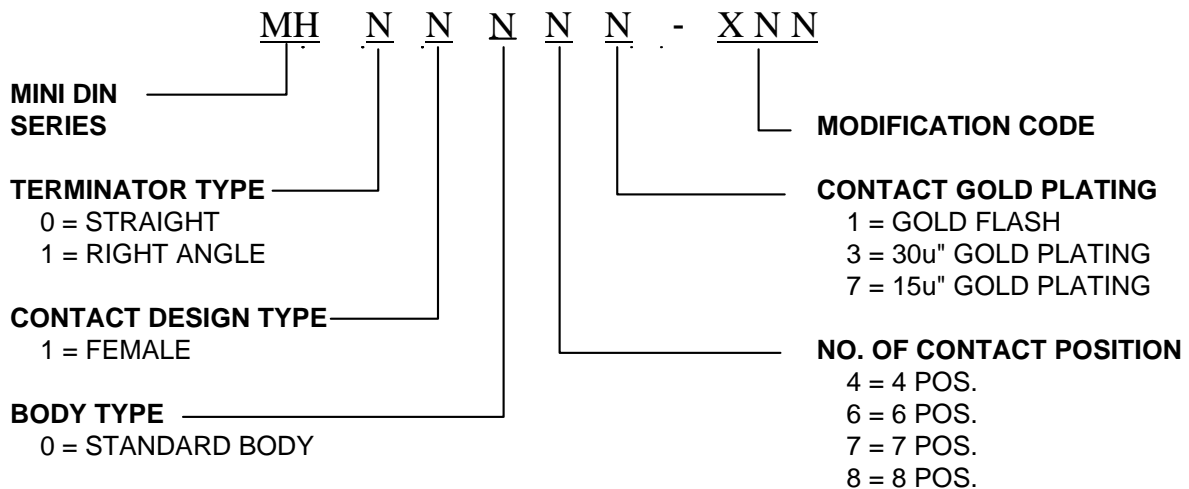
ELECTRICAL CHARACTERISTICS :

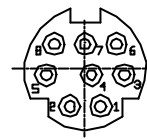
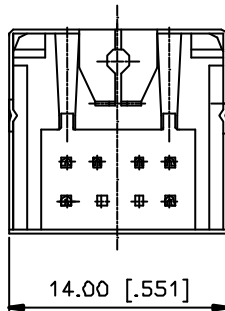
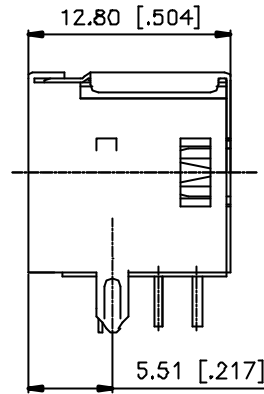
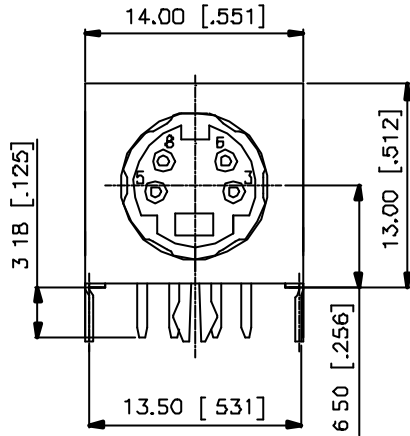
- * LOW LEVEL CONTACT RESISTANCE : 30 m MAX.
- * DIELECTRIC WITHSTANDING VOLTAGE : 750 VAC MIN.
- * INSULATION RESISTANCE : 1000 M MIN.
- * CONTACT CURRENT RATING : 1000 VAD 1 Amp. MAX.
12 VDC 2 Amp. MAX.

MECHANICAL CHARACTERISTICS :

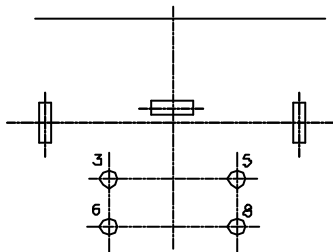
- * CONNECTOR INSERTION FORCE : 4.5kgf MAX.
- * CONNECTOR EXTRACTION FORCE : 0.9kgf MIN.
- * CONTACT RETENTION FORCE : 1.36Kg MIN.
- * DURABILITY : 500 CYCLES
- * OPERATING TEMPERATURE : -55 TO +105

ORDER INFORMATION

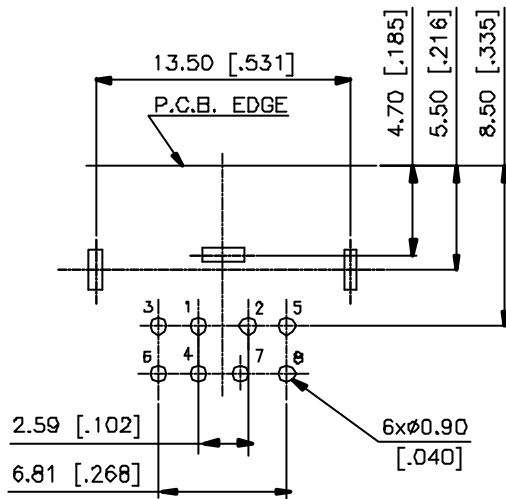




8 POS.



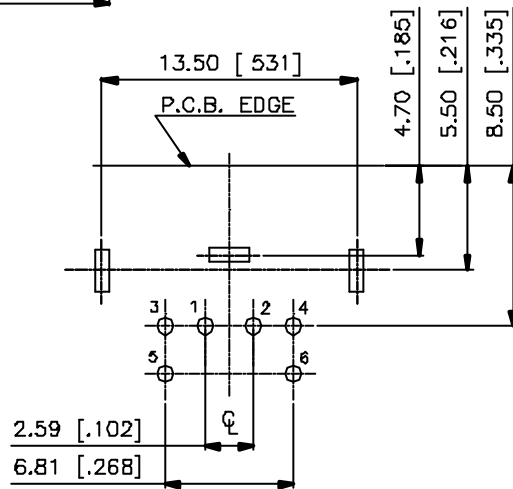
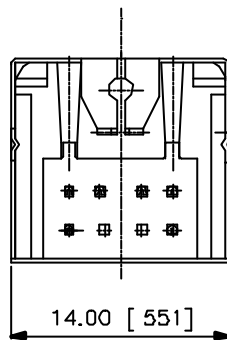
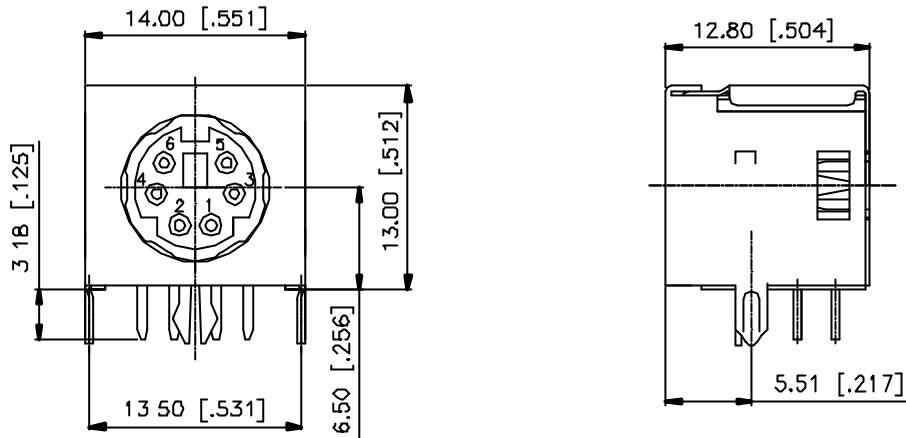
4 POS.



8 POS.

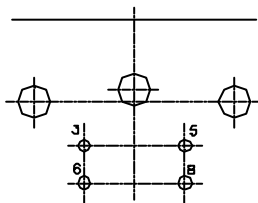
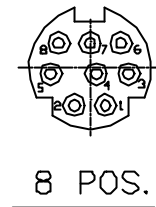
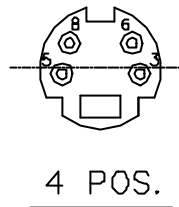
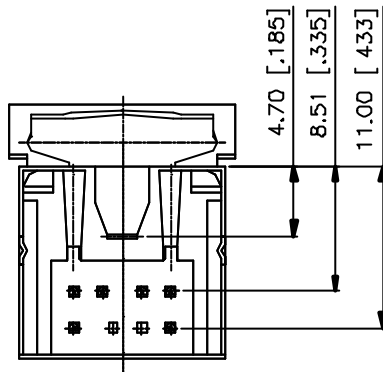
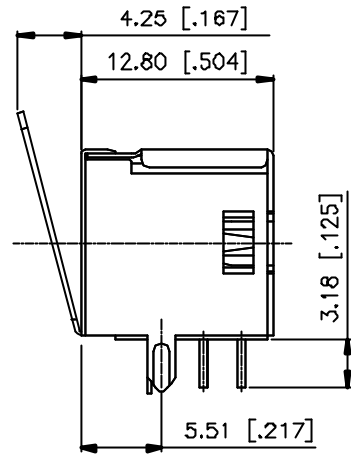
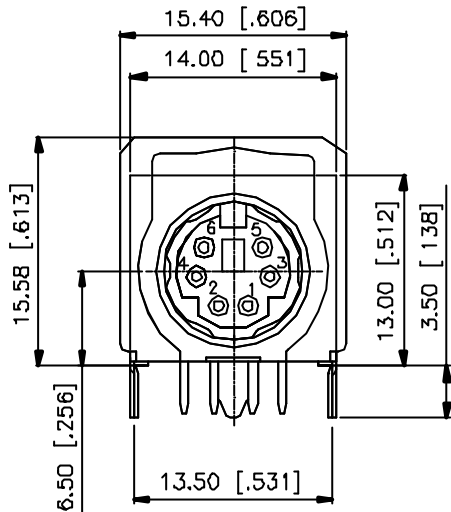
RECOMMENDED P.C.B LAYOUT
(TOP VIEW)

ME1108*-H1	8 POS.
ME1104*-H1	4 POS.
PROD. NO.	NO. OF POS.

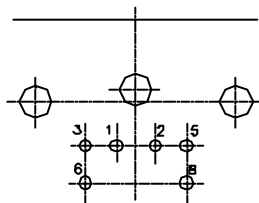


RECOMMENDED P.C.B LAYOUT
(TOP VIEW)

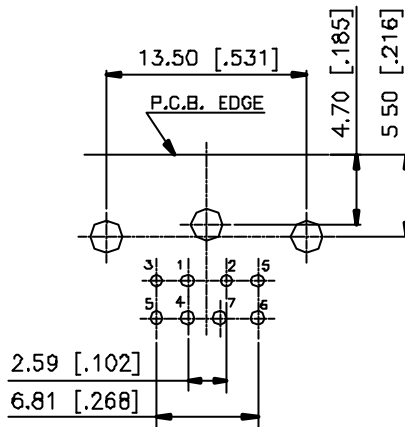
ME1106*-PE2	PURPLE 2715C
ME1106*-PE1	GREEN 3395C
ME1106*-H1	BLACK
PROD. NO.	COLOR



4 POS.



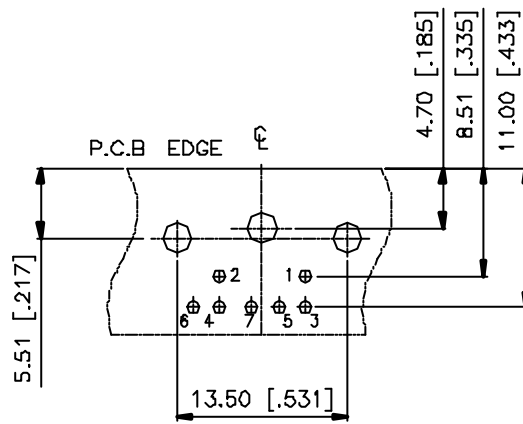
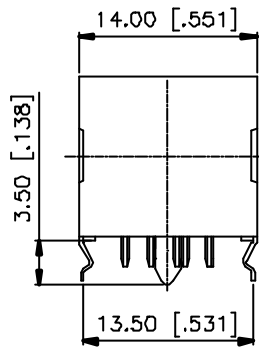
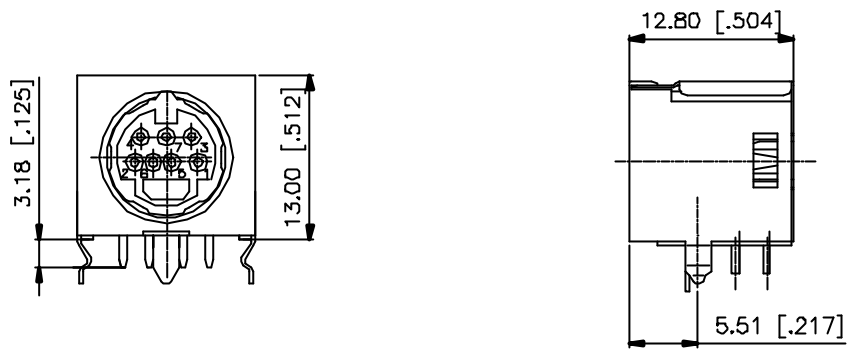
6 POS.



8 POS.

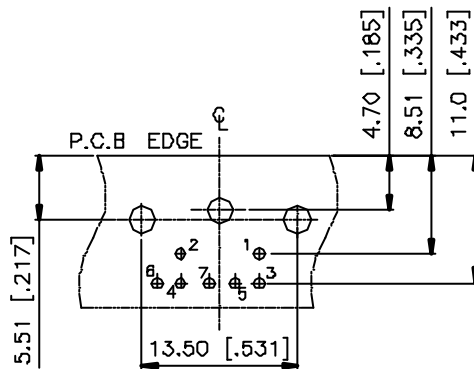
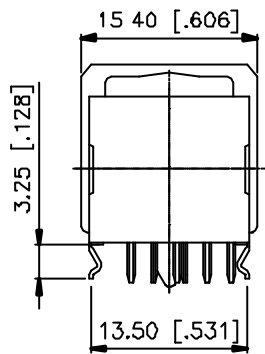
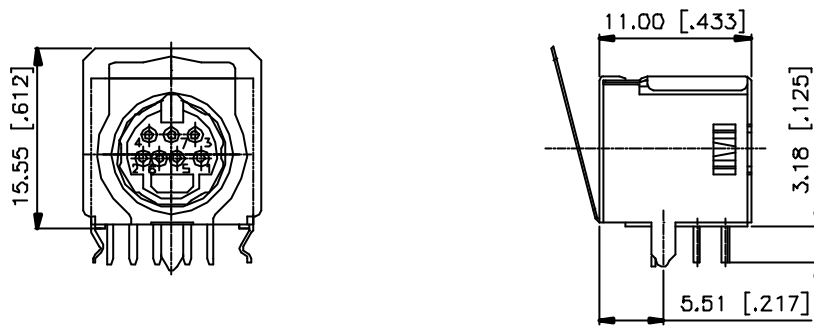
**RECOMMENDED P.C.B LAYOUT
(TOP VIEW)**

MH1108*-K5	8 POS.
MH1106*-K5	6 POS.
MH1104*-K5	4 POS.
PROD. NO.	NO. OF POS.



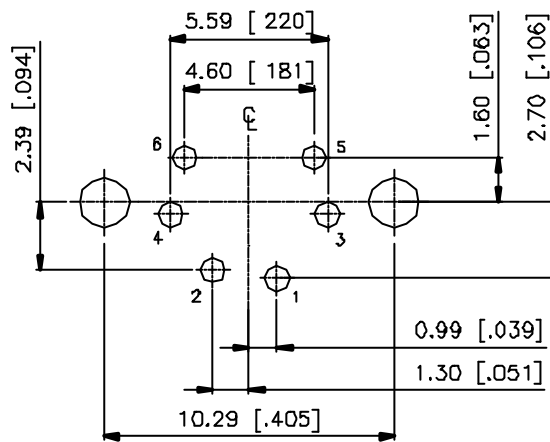
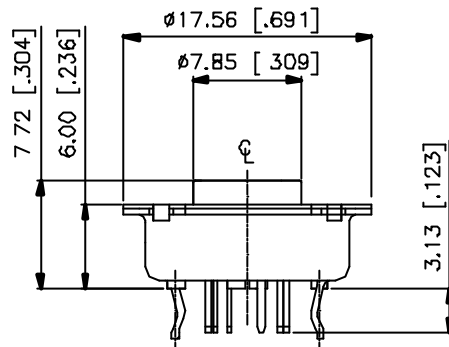
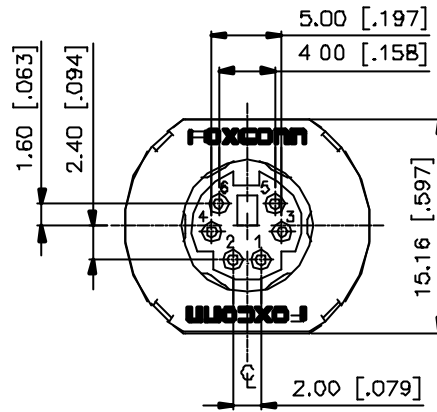
RECOMMENDED P.C.B LAYOUT
(TOP VIEW)

MH1107*-H9	7 POS.
PROD. NO.	NO. OF POS.



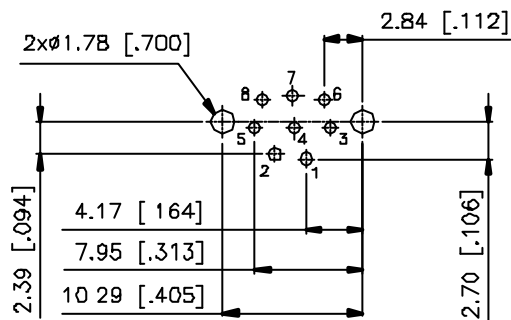
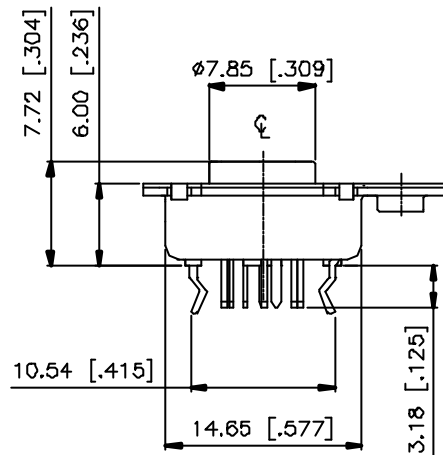
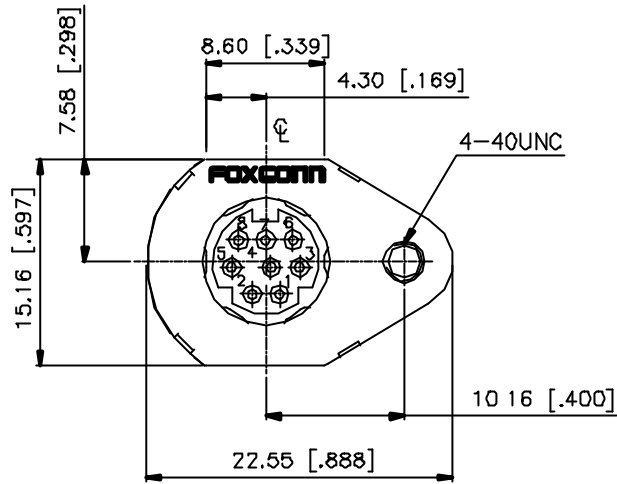
RECOMMENDED P.C.B LAYOUT
(TOP VIEW)

MH1107*-K9	7 POS.
PROD. NO.	NO. OF POS.



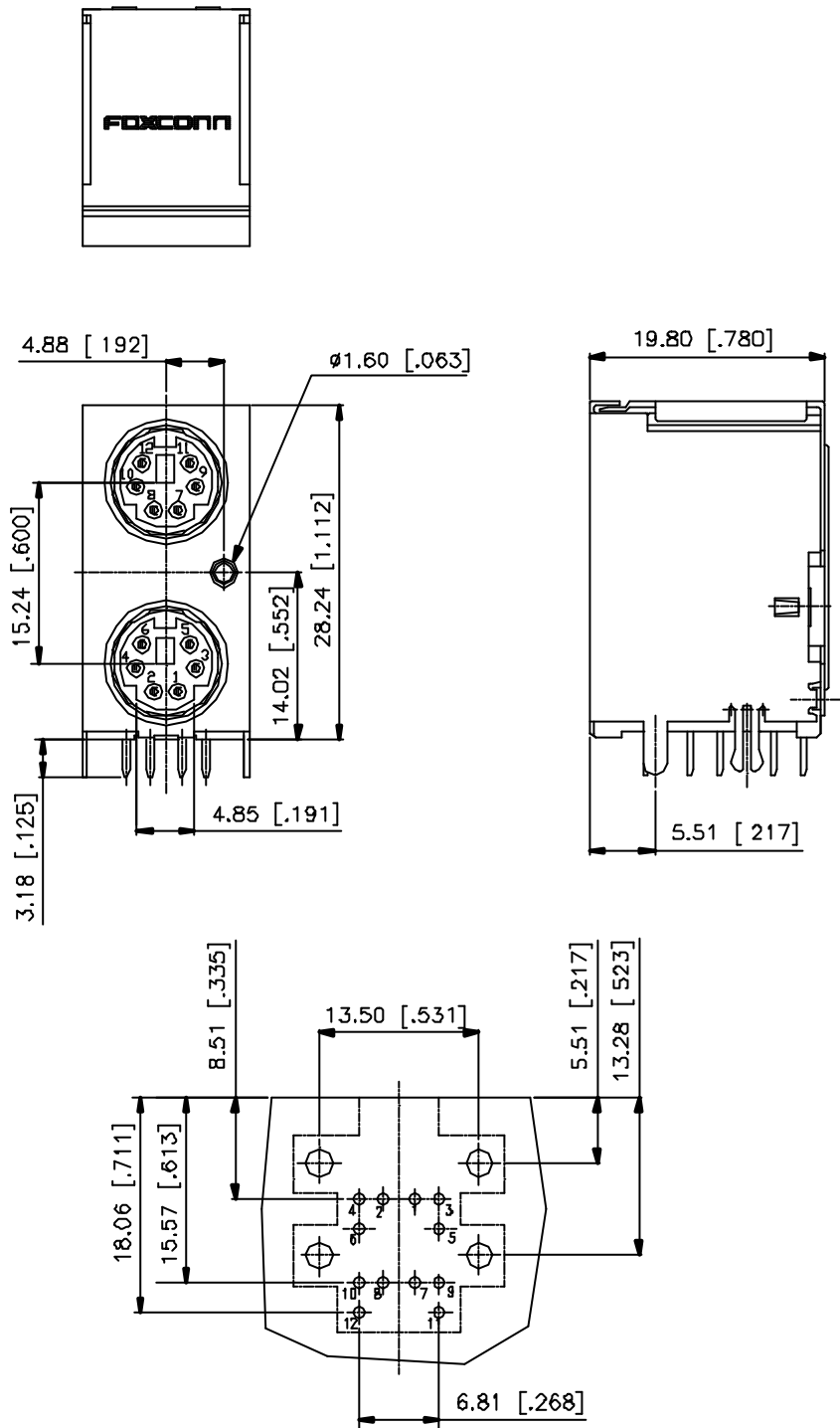
RECOMMENDED P.C.B LAYOUT
(TOP VIEW)

MH0106*-PS2	GREEN 3395C
MH0106*-PS1	PURPLE 2715C
MH0106*-S1	BLACK
PROD. NO.	COLOR



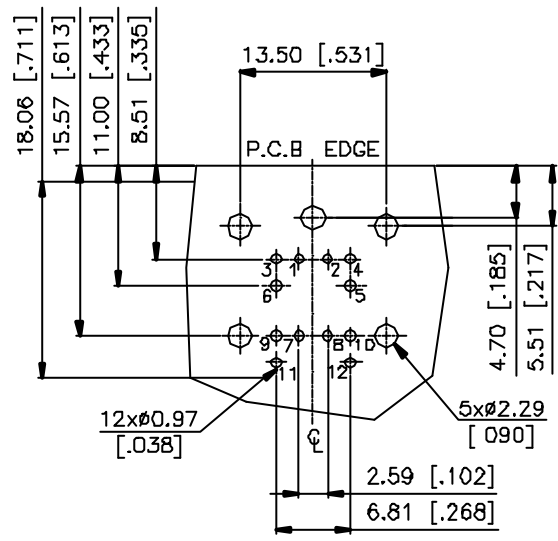
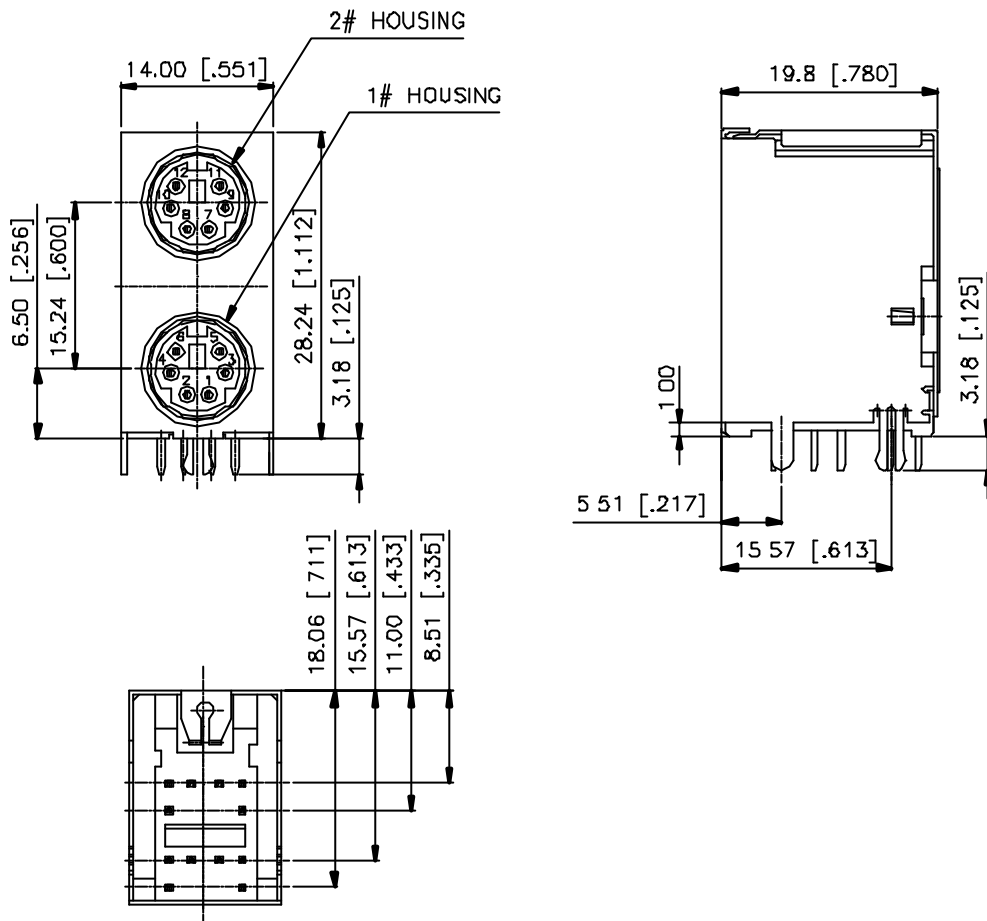
RECOMMENDED P.C.B LAYOUT
(TOP VIEW)

MH0108*-S2	8 POS.
PROD. NO.	NO. OF POS.



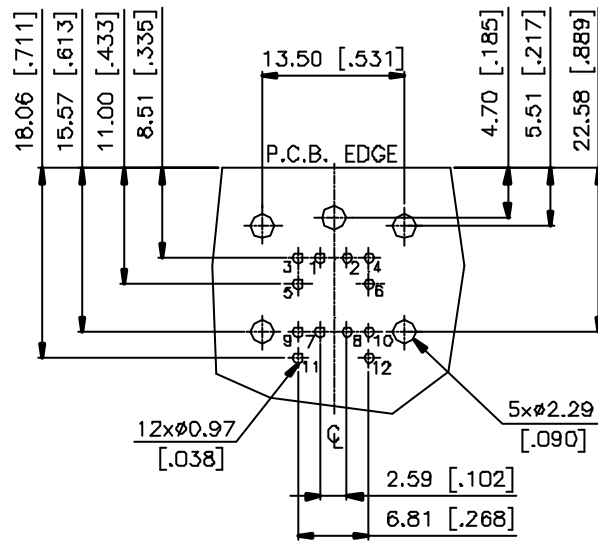
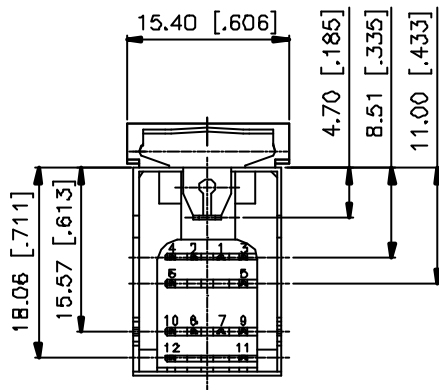
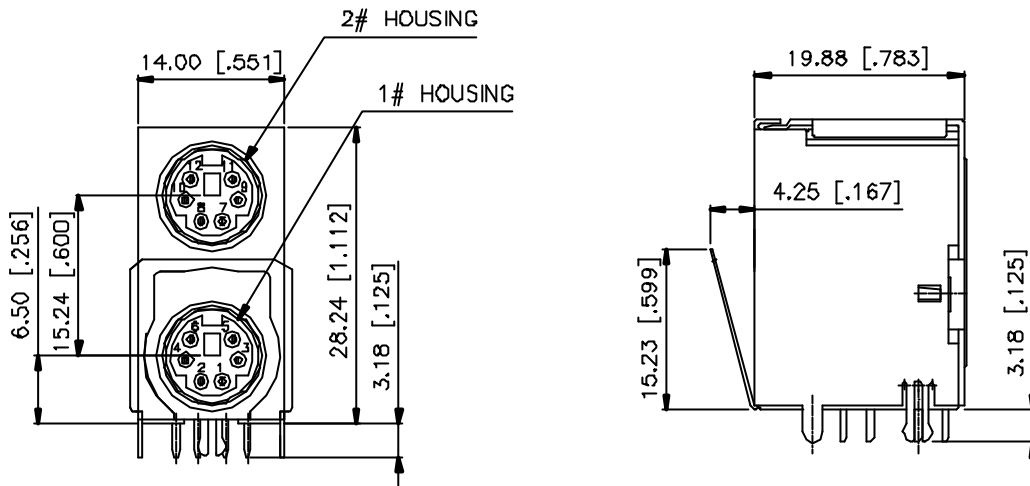
RECOMMENDED P.C.B LAYOUT
(BOTTOM VIEW)

ME1106*-D1	12 POS.
PROD. NO.	NO. OF POS.



**RECOMMENDED P.C.B LAYOUT
(TOP VIEW)**

MH1106*-PD2	PURPLE 2715C	GREEN 3395C
MH1106*-D2	BLACK	BLACK
PROD. NO.	1# HOUSING COLOR	2# HOUSING COLOR



RECOMMENDED P.C.B LAYOUT
(TOP VIEW)

MH1106[®]-PD6	PURPLE 2715C	GREEN 3395C
MH1106[®]-D6	BLACK	BLACK
PROD. NO.	1# HOUSING COLOR	2# HOUSING COLOR