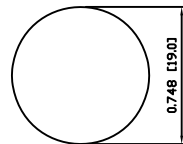
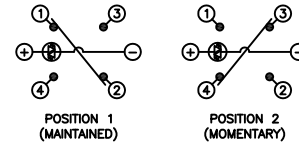


SUGGESTED PANEL CUTOUT



MAXIMUM PANEL THICKNESS: 0.472 [12.0mm]

SCHEMATIC



SPECIFICATIONS

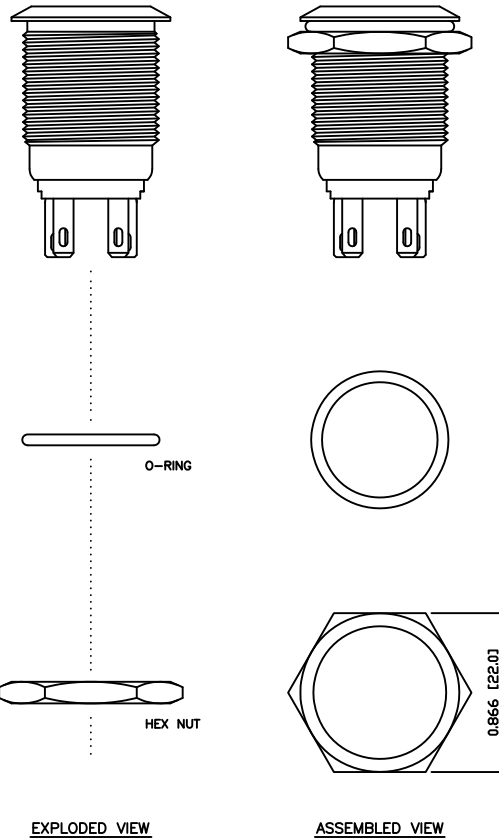
- FUNCTION: 1PNO OFF-(ON) + 1PNC ON-(OFF)
- RATING: 0.4VA Max. 20V AC or DC Max.
- ILLUMINATION VOLTAGE: Forward: 1.8V 20mA, Reverse: 2.8V 20mA
- CONTACT RESISTANCE: Initial: 50mΩ Max. at 1A 12VDC, 1,000Ω Min. at 500VDC
- INSULATION RESISTANCE: 2,000VAC Min. for 1 Minute
- DIELECTRIC STRENGTH: 2,000VAC Min. for 1 Minute
- ELECTRICAL LIFE: 50,000 Cycles
- MECHANICAL LIFE: 1,000,000 Cycles
- TEMPERATURE: Operating: -20°C to 70°C
- INGRESS PROTECTION: IP65
- APPROVALS: **RoHS** COMPLIANT

MATERIALS

- BUSHING: Stainless Steel (304)
- BASE: Polycarbonate (PC)
- ACTUATOR: Stainless Steel (304), Polycarbonate (PC)
- HARDWARE: Nickel Plated Brass (H59)
- SEALING: Silicone Rubber
- INNER ASSEMBLY: Polyoxymethylene (POM), Polycarbonate (PC), Brass (H62)
- SPRING: Stainless Steel (Cr18Ni9)
- CONTACTS: Gold Over Silver/Cadmium Oxide (AgCdO)
- TERMINALS: Brass (H62)
- O-RING: Silicone Rubber

COLORS AND FINISH

- BEZEL: Stainless Steel Machine Finish
- ACTUATOR: Stainless Steel Machine Finish
- ILLUMINATION: Red (Forward), Green (Reverse)
- MARKING: None



BODY	A	09/07/24	CAB
COLORS	A	09/07/24	CAB
MATERIALS	A	10/03/24	CAB
SPECIFICATIONS	A	10/03/24	CAB
REFERENCE	REV.	DATE	BY

THE INFORMATION CONTAINED IN THIS DOCUMENT IS PROPRIETARY TO E-SWITCH AND IS NOT TO BE COPIED OR TRANSFERRED

A	INITIAL RELEASE	18958	10/03/24	CAB
REV.	DESCRIPTION	PCR	DATE	DRAWN BY

DIMENSIONS	
INCHES [MILLIMETERS]	
GENERAL TOLERANCES	
±0.008 [±0.2] / ±1'	
SCALE	PROJECTION
DRAWING NOT TO SCALE	1st Angle

PV4F2Y0SSG-3G1			
ITEM NUMBER	DATE	REVISION	
52-PV4F2Y0SSG3G1	MARCH 24, 2010	A	