

74HC14; 74HCT14

Hex inverting Schmitt trigger

Rev. 6 — 19 September 2012

Product data sheet

1. General description

The 74HC14; 74HCT14 is a high-speed Si-gate CMOS device and is pin compatible with Low-power Schottky TTL (LSTTL). It is specified in compliance with JEDEC standard No. 7A.

The 74HC14; 74HCT14 provides six inverting buffers with Schmitt-trigger action. It is capable of transforming slowly changing input signals into sharply defined, jitter-free output signals.

2. Features and benefits

- Low-power dissipation
- ESD protection:
 - ◆ HBM JESD22-A114F exceeds 2000 V
 - ◆ MM JESD22-A115-A exceeds 200 V
- Multiple package options
- Specified from $-40\text{ }^{\circ}\text{C}$ to $+85\text{ }^{\circ}\text{C}$ and from $-40\text{ }^{\circ}\text{C}$ to $+125\text{ }^{\circ}\text{C}$

3. Applications

- Wave and pulse shapers
- Astable multivibrators
- Monostable multivibrators



4. Ordering information

Table 1. Ordering information

| Type number | Package | | | Version |
|-----------------------|-------------------|----------|--|----------|
| | Temperature range | Name | Description | |
| 74HC14N 74HCT14N | -40 °C to +125 °C | DIP14 | plastic dual in-line package; 14 leads (300 mil) | SOT27-1 |
| 74HC14D 74HCT14D | -40 °C to +125 °C | SO14 | plastic small outline package; 14 leads; body width 3.9 mm | SOT108-1 |
| 74HC14DB 74HCT14DB | -40 °C to +125 °C | SSOP14 | plastic shrink small outline package; 14 leads; body width 5.3 mm | SOT337-1 |
| 74HC14PW 74HCT14PW | -40 °C to +125 °C | TSSOP14 | plastic thin shrink small outline package; 14 leads; body width 4.4 mm | SOT402-1 |
| 74HC14BQ 74HCT14BQ | -40 °C to +125 °C | DHVQFN14 | plastic dual in-line compatible thermal enhanced very thin quad flat package; no leads; 14 terminals; body 2.5 × 3 × 0.85 mm | SOT762-1 |

5. Functional diagram

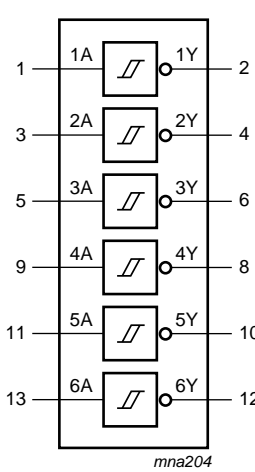


Fig 1. Logic symbol

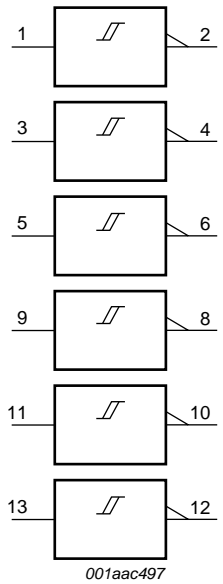


Fig 2. IEC logic symbol

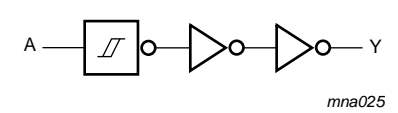


Fig 3. Logic diagram (one Schmitt trigger)

6. Pinning information

6.1 Pinning

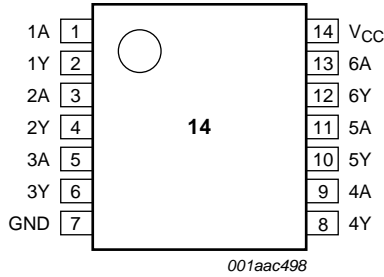
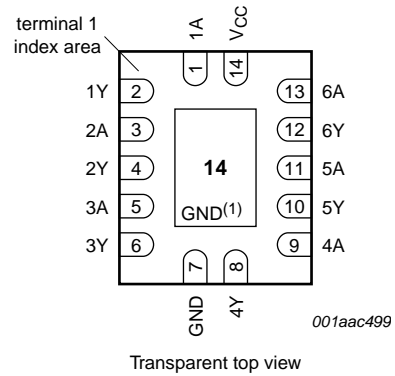


Fig 4. Pin configuration DIP14, SO14 and (T)SSOP14



- (1) The die substrate is attached to this pad using conductive die attach material. It cannot be used as a supply pin or input.

Fig 5. Pin configuration DHVQFN14

6.2 Pin description

Table 2. Pin description

| Symbol | Pin | Description |
|-----------------|--------------------|----------------|
| 1A to 6A | 1, 3, 5, 9, 11, 13 | data input 1 |
| 1Y to 6Y | 2, 4, 6, 8, 10, 12 | data output 1 |
| GND | 7 | ground (0 V) |
| V _{CC} | 14 | supply voltage |

7. Functional description

Table 3. Function table^[1]

| Input | Output |
|-------|--------|
| nA | nY |
| L | H |
| H | L |

[1] H = HIGH voltage level;
L = LOW voltage level.

8. Limiting values

Table 4. Limiting values

In accordance with the Absolute Maximum Rating System (IEC 60134). Voltages are referenced to GND (ground = 0 V).

| Symbol | Parameter | Conditions | Min | Max | Unit |
|------------------|---------------------------------------|---|-------|------|------|
| V _{CC} | supply voltage | | -0.5 | +7 | V |
| I _{IK} | input clamping current | V _I < -0.5 V or V _I > V _{CC} + 0.5 V | [1] - | ±20 | mA |
| I _{OK} | output clamping current | V _O < -0.5 V or V _O > V _{CC} + 0.5 V | [1] - | ±20 | mA |
| I _O | output current | -0.5 V < V _O < V _{CC} + 0.5 V | - | ±25 | mA |
| I _{CC} | supply current | | - | 50 | mA |
| I _{GND} | ground current | | -50 | - | mA |
| T _{stg} | storage temperature | | -65 | +150 | °C |
| P _{tot} | total power dissipation | | [2] | | |
| | DIP14 package | | - | 750 | mW |
| | SO14, (T)SSOP14 and DHVQFN14 packages | | - | 500 | mW |

[1] The input and output voltage ratings may be exceeded if the input and output current ratings are observed.

[2] For DIP14 package: P_{tot} derates linearly with 12 mW/K above 70 °C.
 For SO14 package: P_{tot} derates linearly with 8 mW/K above 70 °C.
 For (T)SSOP14 packages: P_{tot} derates linearly with 5.5 mW/K above 60 °C.
 For DHVQFN14 packages: P_{tot} derates linearly with 4.5 mW/K above 60 °C.

9. Recommended operating conditions

Table 5. Recommended operating conditions

Voltages are referenced to GND (ground = 0 V)

| Symbol | Parameter | Conditions | 74HC14 | | | 74HCT14 | | | Unit |
|------------------|---------------------|------------|--------|-----|-----------------|---------|-----|-----------------|------|
| | | | Min | Typ | Max | Min | Typ | Max | |
| V _{CC} | supply voltage | | 2.0 | 5.0 | 6.0 | 4.5 | 5.0 | 5.5 | V |
| V _I | input voltage | | 0 | - | V _{CC} | 0 | - | V _{CC} | V |
| V _O | output voltage | | 0 | - | V _{CC} | 0 | - | V _{CC} | V |
| T _{amb} | ambient temperature | | -40 | +25 | +125 | -40 | +25 | +125 | °C |

10. Static characteristics

Table 6. Static characteristics

At recommended operating conditions; voltages are referenced to GND (ground = 0 V).

| Symbol | Parameter | Conditions | T _{amb} = 25 °C | | | T _{amb} = -40 °C to +85 °C | | T _{amb} = -40 °C to +125 °C | | Unit |
|------------------|---------------------------|---|--------------------------|------|------|-------------------------------------|------|--------------------------------------|------|------|
| | | | Min | Typ | Max | Min | Max | Min | Max | |
| 74HC14 | | | | | | | | | | |
| V _{OH} | HIGH-level output voltage | V _I = V _{T+} or V _{T-} | | | | | | | | |
| | | I _O = -20 μA; V _{CC} = 2.0 V | 1.9 | 2.0 | - | 1.9 | - | 1.9 | - | V |
| | | I _O = -20 μA; V _{CC} = 4.5 V | 4.4 | 4.5 | - | 4.4 | - | 4.4 | - | V |
| | | I _O = -20 μA; V _{CC} = 6.0 V | 5.9 | 6.0 | - | 5.9 | - | 5.9 | - | V |
| | | I _O = -4.0 mA; V _{CC} = 4.5 V | 3.98 | 4.32 | - | 3.84 | - | 3.7 | - | V |
| | | I _O = -5.2 mA; V _{CC} = 6.0 V | 5.48 | 5.81 | - | 5.34 | - | 5.2 | - | V |
| V _{OL} | LOW-level output voltage | V _I = V _{T+} or V _{T-} | | | | | | | | |
| | | I _O = 20 μA; V _{CC} = 2.0 V | - | 0 | 0.1 | - | 0.1 | - | 0.1 | V |
| | | I _O = 20 μA; V _{CC} = 4.5 V | - | 0 | 0.1 | - | 0.1 | - | 0.1 | V |
| | | I _O = 20 μA; V _{CC} = 6.0 V | - | 0 | 0.1 | - | 0.1 | - | 0.1 | V |
| | | I _O = 4.0 mA; V _{CC} = 4.5 V | - | 0.15 | 0.26 | - | 0.33 | - | 0.4 | V |
| | | I _O = 5.2 mA; V _{CC} = 6.0 V | - | 0.16 | 0.26 | - | 0.33 | - | 0.4 | V |
| I _I | input leakage current | V _I = V _{CC} or GND; V _{CC} = 6.0 V | - | - | ±0.1 | - | ±1.0 | - | ±1.0 | μA |
| I _{CC} | supply current | V _I = V _{CC} or GND; I _O = 0 A; V _{CC} = 6.0 V | - | - | 2.0 | - | 20 | - | 40 | μA |
| C _I | input capacitance | | - | 3.5 | - | - | - | - | - | pF |
| 74HCT14 | | | | | | | | | | |
| V _{OH} | HIGH-level output voltage | V _I = V _{T+} or V _{T-} ; V _{CC} = 4.5 V | | | | | | | | |
| | | I _O = -20 μA | 4.4 | 4.5 | - | 4.4 | - | 4.4 | - | V |
| | | I _O = -4.0 mA | 3.98 | 4.32 | - | 3.84 | - | 3.7 | - | V |
| V _{OL} | LOW-level output voltage | V _I = V _{T+} or V _{T-} ; V _{CC} = 4.5 V | | | | | | | | |
| | | I _O = 20 μA; | - | 0 | 0.1 | - | 0.1 | - | 0.1 | V |
| | | I _O = 4.0 mA; | - | 0.15 | 0.26 | - | 0.33 | - | 0.4 | V |
| I _I | input leakage current | V _I = V _{CC} or GND; V _{CC} = 5.5 V | - | - | ±0.1 | - | ±1.0 | - | ±1.0 | μA |
| I _{CC} | supply current | V _I = V _{CC} or GND; I _O = 0 A; V _{CC} = 5.5 V | - | - | 2.0 | - | 20 | - | 40 | μA |
| ΔI _{CC} | additional supply current | per input pin; V _I = V _{CC} - 2.1 V; other pins at V _{CC} or GND; I _O = 0 A; V _{CC} = 4.5 V to 5.5 V | - | 30 | 108 | - | 135 | - | 147 | μA |
| C _I | input capacitance | | - | 3.5 | - | - | - | - | - | pF |

11. Dynamic characteristics

Table 7. Dynamic characteristics

$GND = 0\text{ V}$; $C_L = 50\text{ pF}$; for test circuit see [Figure 7](#).

| Symbol | Parameter | Conditions | $T_{amb} = 25\text{ °C}$ | | | $T_{amb} = -40\text{ °C to }+125\text{ °C}$ | | Unit |
|----------------|-------------------------------|--|--------------------------|-----|-----|---|--------------|------|
| | | | Min | Typ | Max | Max (85 °C) | Max (125 °C) | |
| 74HC14 | | | | | | | | |
| t_{pd} | propagation delay | nA to nY; see Figure 6 [1] | | | | | | |
| | | $V_{CC} = 2.0\text{ V}$ | - | 41 | 125 | 155 | 190 | ns |
| | | $V_{CC} = 4.5\text{ V}$ | - | 15 | 25 | 31 | 38 | ns |
| | | $V_{CC} = 5.0\text{ V}$; $C_L = 15\text{ pF}$ | - | 12 | - | - | - | ns |
| | | $V_{CC} = 6.0\text{ V}$ | - | 12 | 21 | 26 | 32 | ns |
| t_t | transition time | see Figure 6 [2] | | | | | | |
| | | $V_{CC} = 2.0\text{ V}$ | - | 19 | 75 | 95 | 110 | ns |
| | | $V_{CC} = 4.5\text{ V}$ | - | 7 | 15 | 19 | 22 | ns |
| | | $V_{CC} = 6.0\text{ V}$ | - | 6 | 13 | 15 | 19 | ns |
| C_{PD} | power dissipation capacitance | per package; $V_I = GND\text{ to }V_{CC}$ [3] | - | 7 | - | - | - | pF |
| 74HCT14 | | | | | | | | |
| t_{pd} | propagation delay | nA to nY; see Figure 6 [1] | | | | | | |
| | | $V_{CC} = 4.5\text{ V}$ | - | 20 | 34 | 43 | 51 | ns |
| | | $V_{CC} = 5.0\text{ V}$; $C_L = 15\text{ pF}$ | - | 17 | - | - | - | ns |
| t_t | transition time | $V_{CC} = 4.5\text{ V}$; see Figure 6 [2] | - | 7 | 15 | 19 | 22 | ns |
| C_{PD} | power dissipation capacitance | per package; $V_I = GND\text{ to }V_{CC} - 1.5\text{ V}$ [3] | - | 8 | - | - | - | pF |

[1] t_{pd} is the same as t_{PHL} and t_{PLH} .

[2] t_t is the same as t_{THL} and t_{TLH} .

[3] C_{PD} is used to determine the dynamic power dissipation (P_D in μW):

$$P_D = C_{PD} \times V_{CC}^2 \times f_i \times N + \sum (C_L \times V_{CC}^2 \times f_o) \text{ where:}$$

f_i = input frequency in MHz;

f_o = output frequency in MHz;

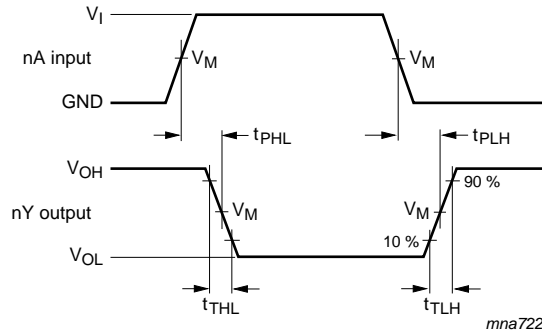
C_L = output load capacitance in pF;

V_{CC} = supply voltage in V;

N = number of inputs switching;

$\sum (C_L \times V_{CC}^2 \times f_o)$ = sum of outputs.

12. Waveforms

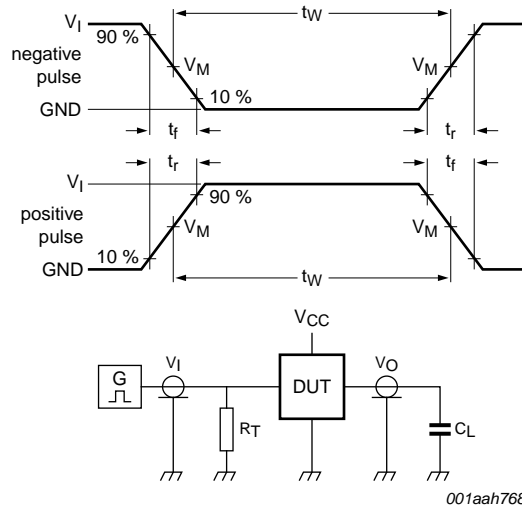


Measurement points are given in [Table 8](#).
 V_{OL} and V_{OH} are typical voltage output levels that occur with the output load.

Fig 6. Input to output propagation delays

Table 8. Measurement points

| Type | Input | Output | | |
|---------|-------------|-------------|-------------|-------------|
| | V_M | V_M | V_X | V_Y |
| 74HC14 | $0.5V_{CC}$ | $0.5V_{CC}$ | $0.1V_{CC}$ | $0.9V_{CC}$ |
| 74HCT14 | 1.3 V | 1.3 V | $0.1V_{CC}$ | $0.9V_{CC}$ |



Test data is given in [Table 9](#).
 Definitions test circuit:
 R_T = termination resistance should be equal to output impedance Z_o of the pulse generator.
 C_L = load capacitance including jig and probe capacitance.

Fig 7. Load circuitry for measuring switching times

Table 9. Test data

| Type | Input | | Load | Test |
|---------|----------|------------|--------------|--------------------|
| | V_I | t_r, t_f | C_L | |
| 74HC14 | V_{CC} | 6.0 ns | 15 pF, 50 pF | t_{PLH}, t_{PHL} |
| 74HCT14 | 3.0 V | 6.0 ns | 15 pF, 50 pF | t_{PLH}, t_{PHL} |

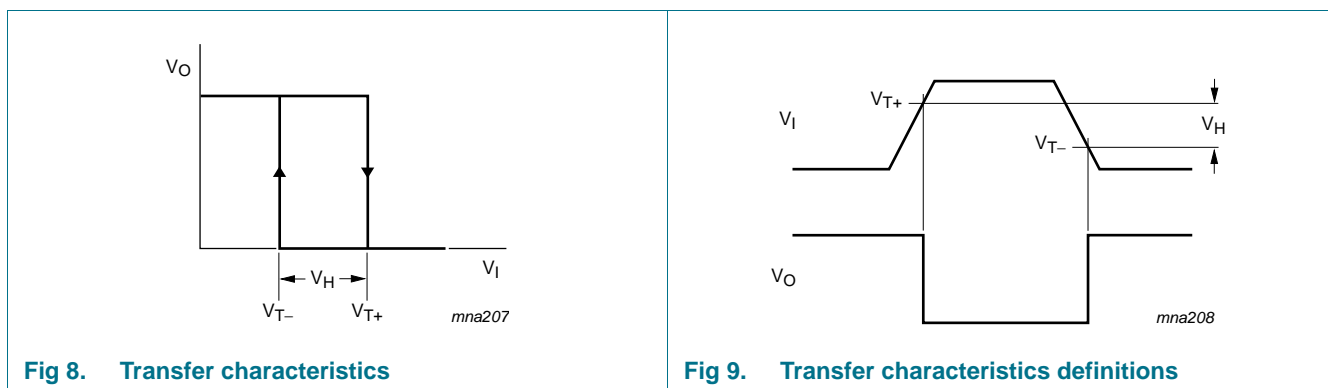
13. Transfer characteristics

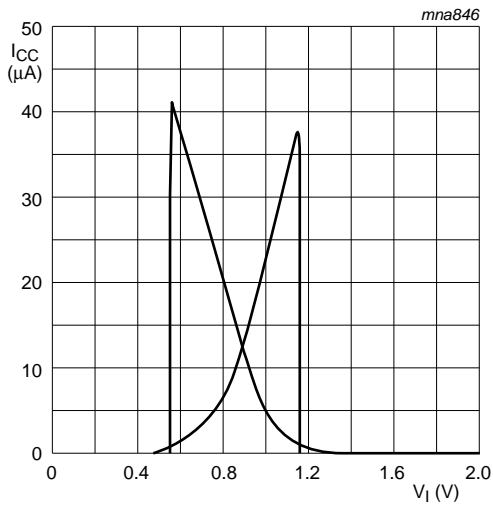
Table 10. Transfer characteristics

At recommended operating conditions; voltages are referenced to GND (ground = 0 V); see [Figure 8](#) and [Figure 9](#).

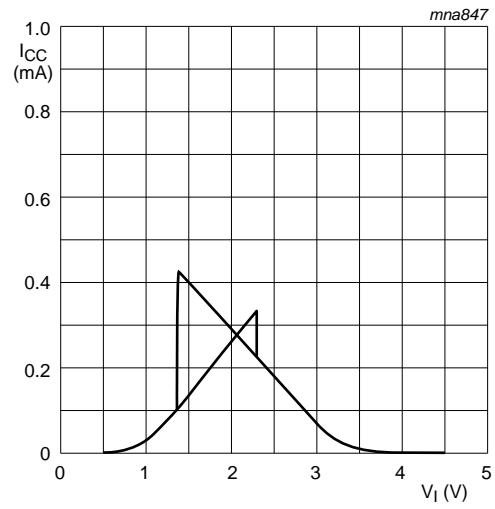
| Symbol | Parameter | Conditions | $T_{amb} = 25\text{ }^\circ\text{C}$ | | | $T_{amb} = -40\text{ }^\circ\text{C}$ to $+85\text{ }^\circ\text{C}$ | | $T_{amb} = -40\text{ }^\circ\text{C}$ to $+125\text{ }^\circ\text{C}$ | | Unit |
|----------------|----------------------------------|-------------------------|--------------------------------------|------|------|---|------|--|------|------|
| | | | Min | Typ | Max | Min | Max | Min | Max | |
| 74HC14 | | | | | | | | | | |
| V_{T+} | positive-going threshold voltage | $V_{CC} = 2.0\text{ V}$ | 0.7 | 1.18 | 1.5 | 0.7 | 1.5 | 0.7 | 1.5 | V |
| | | $V_{CC} = 4.5\text{ V}$ | 1.7 | 2.38 | 3.15 | 1.7 | 3.15 | 1.7 | 3.15 | V |
| | | $V_{CC} = 6.0\text{ V}$ | 2.1 | 3.14 | 4.2 | 2.1 | 4.2 | 2.1 | 4.2 | V |
| V_{T-} | negative-going threshold voltage | $V_{CC} = 2.0\text{ V}$ | 0.3 | 0.52 | 0.9 | 0.3 | 0.9 | 0.3 | 0.9 | V |
| | | $V_{CC} = 4.5\text{ V}$ | 0.9 | 1.4 | 2.0 | 0.9 | 2.0 | 0.9 | 2.0 | V |
| | | $V_{CC} = 6.0\text{ V}$ | 1.2 | 1.89 | 2.6 | 1.2 | 2.6 | 1.2 | 2.6 | V |
| V_H | hysteresis voltage | $V_{CC} = 2.0\text{ V}$ | 0.2 | 0.66 | 1.0 | 0.2 | 1.0 | 0.2 | 1.0 | V |
| | | $V_{CC} = 4.5\text{ V}$ | 0.4 | 0.98 | 1.4 | 0.4 | 1.4 | 0.4 | 1.4 | V |
| | | $V_{CC} = 6.0\text{ V}$ | 0.6 | 1.25 | 1.6 | 0.6 | 1.6 | 0.6 | 1.6 | V |
| 74HCT14 | | | | | | | | | | |
| V_{T+} | positive-going threshold voltage | $V_{CC} = 4.5\text{ V}$ | 1.2 | 1.41 | 1.9 | 1.2 | 1.9 | 1.2 | 1.9 | V |
| | | $V_{CC} = 5.5\text{ V}$ | 1.4 | 1.59 | 2.1 | 1.4 | 2.1 | 1.4 | 2.1 | V |
| V_{T-} | negative-going threshold voltage | $V_{CC} = 4.5\text{ V}$ | 0.5 | 0.85 | 1.2 | 0.5 | 1.2 | 0.5 | 1.2 | V |
| | | $V_{CC} = 5.5\text{ V}$ | 0.6 | 0.99 | 1.4 | 0.6 | 1.4 | 0.6 | 1.4 | V |
| V_H | hysteresis voltage | $V_{CC} = 4.5\text{ V}$ | 0.4 | 0.56 | - | 0.4 | - | 0.4 | - | V |
| | | $V_{CC} = 5.5\text{ V}$ | 0.4 | 0.6 | - | 0.4 | - | 0.4 | - | V |

14. Transfer characteristics waveforms

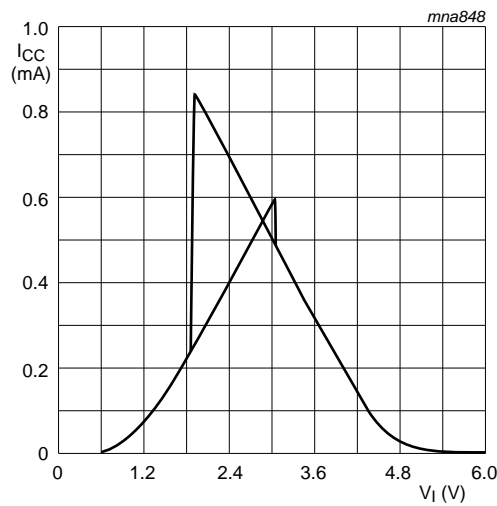




a. $V_{CC} = 2.0\text{ V}$

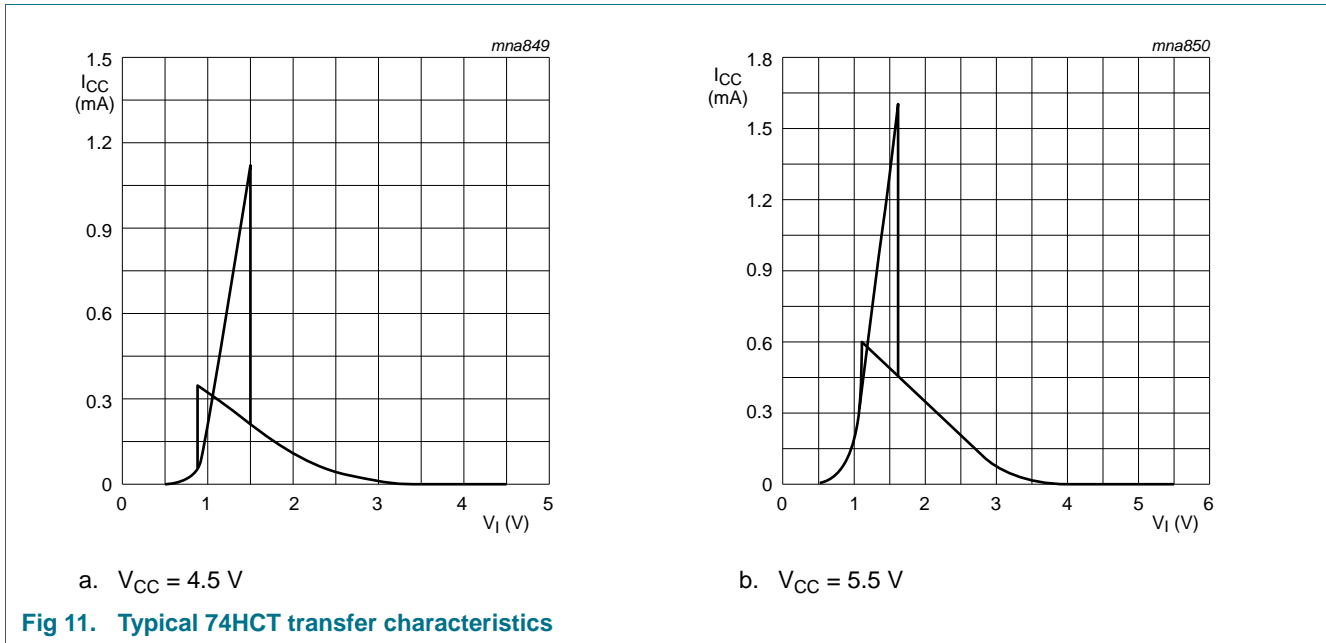


b. $V_{CC} = 4.5\text{ V}$



c. $V_{CC} = 6.0\text{ V}$

Fig 10. Typical 74HC transfer characteristics



15. Application information

The slow input rise and fall times cause additional power dissipation, this can be calculated using the following formula:

$$P_{\text{add}} = f_i \times (t_r \times \Delta I_{\text{CC(AV)}} + t_f \times \Delta I_{\text{CC(AV)}}) \times V_{\text{CC}} \text{ where:}$$

P_{add} = additional power dissipation (μW);

f_i = input frequency (MHz);

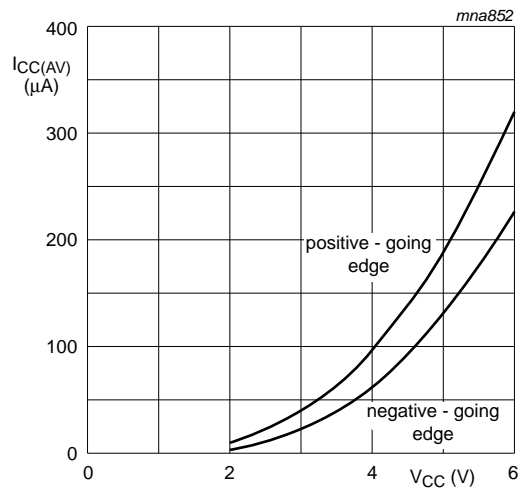
t_r = rise time (ns); 10 % to 90 %;

t_f = fall time (ns); 90 % to 10 %;

$\Delta I_{\text{CC(AV)}}$ = average additional supply current (μA).

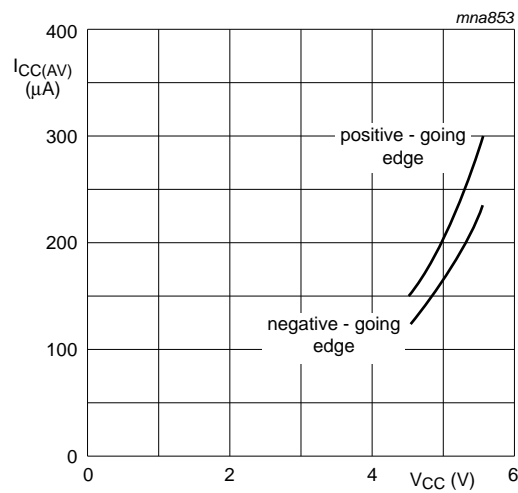
Average $\Delta I_{\text{CC(AV)}}$ differs with positive or negative input transitions, as shown in [Figure 12](#) and [Figure 13](#).

An example of a relaxation circuit using the 74HC14; 74HCT14 is shown in [Figure 14](#).



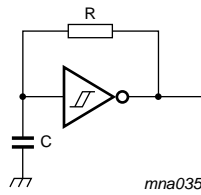
- (1) Positive-going edge.
- (2) Negative-going edge.

Fig 12. Average additional supply current as a function of V_{CC} for 74HC14; linear change of V_I between 0.1V_{CC} to 0.9V_{CC}.



- (1) Positive-going edge.
- (2) Negative-going edge.

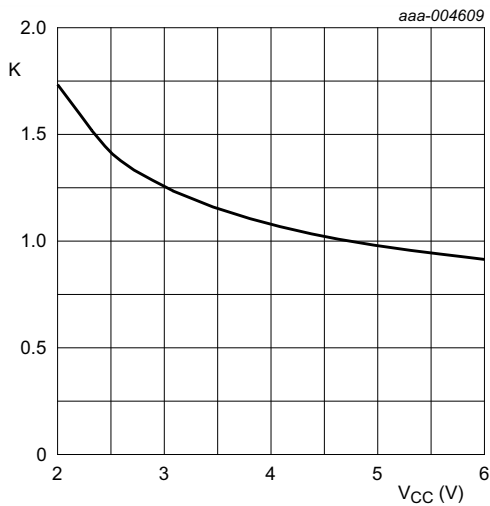
Fig 13. Average additional supply current as a function of V_{CC} for 74HCT14; linear change of V_I between 0.1V_{CC} to 0.9V_{CC}.



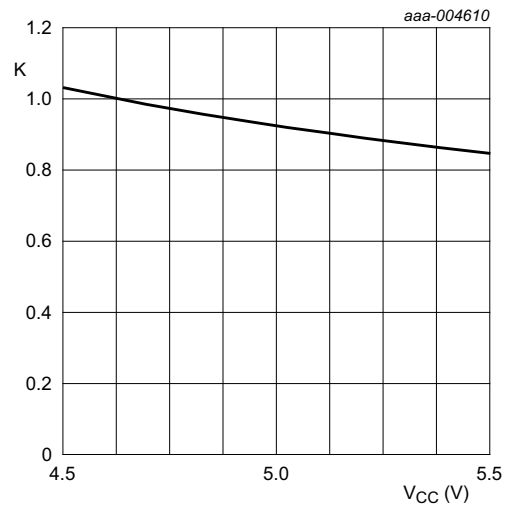
For 74HC14 and 74HCT14: $f = \frac{1}{T} \approx \frac{1}{K \times RC}$

For K-factor see [Figure 15](#)

Fig 14. Relaxation oscillator



K-factor for 74HC14



K-factor for 74HCT14

Fig 15. Typical K-factor for relaxation oscillator

16. Package outline

DIP14: plastic dual in-line package; 14 leads (300 mil)

SOT27-1

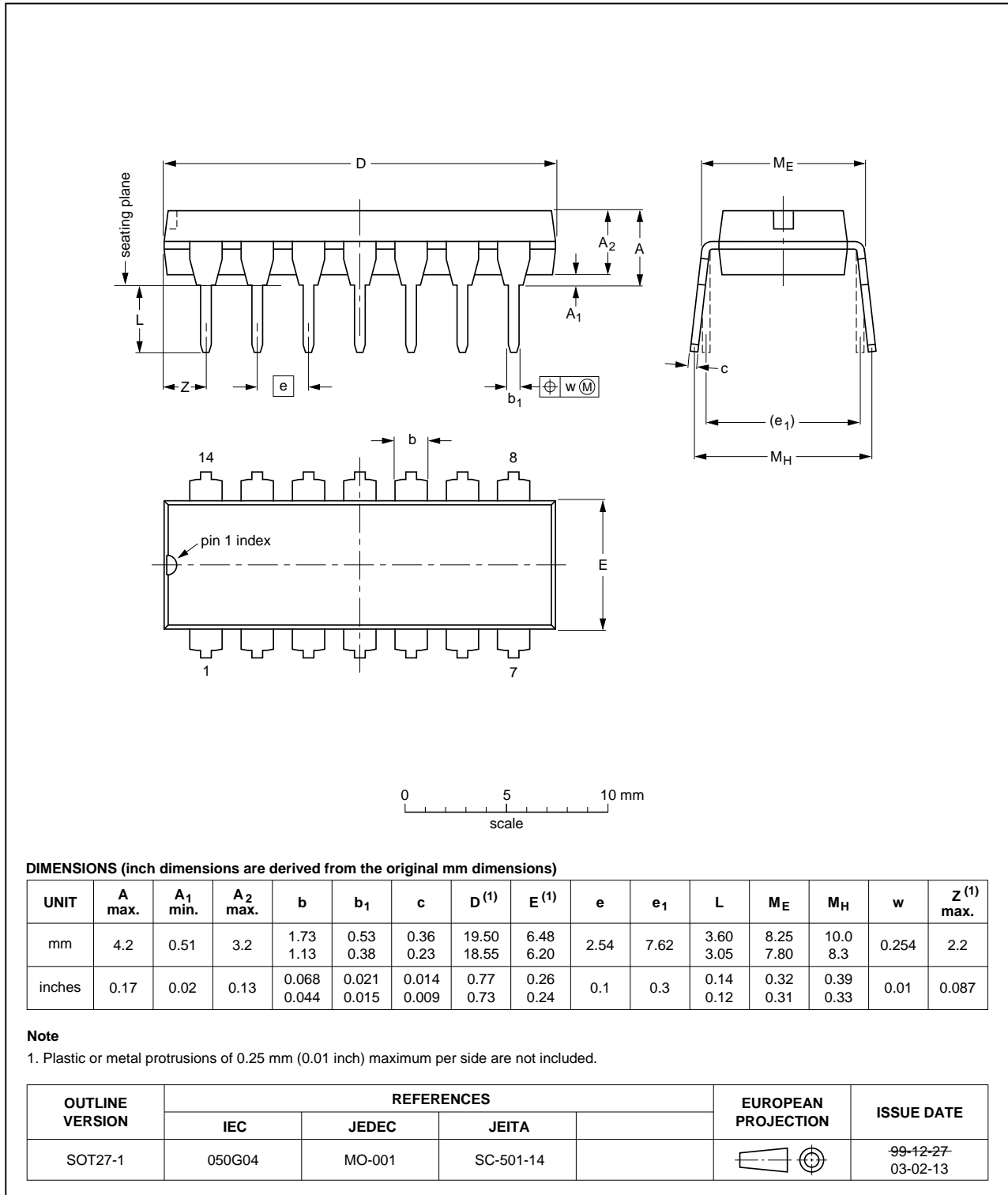


Fig 16. Package outline SOT27-1 (DIP14)

SO14: plastic small outline package; 14 leads; body width 3.9 mm

SOT108-1

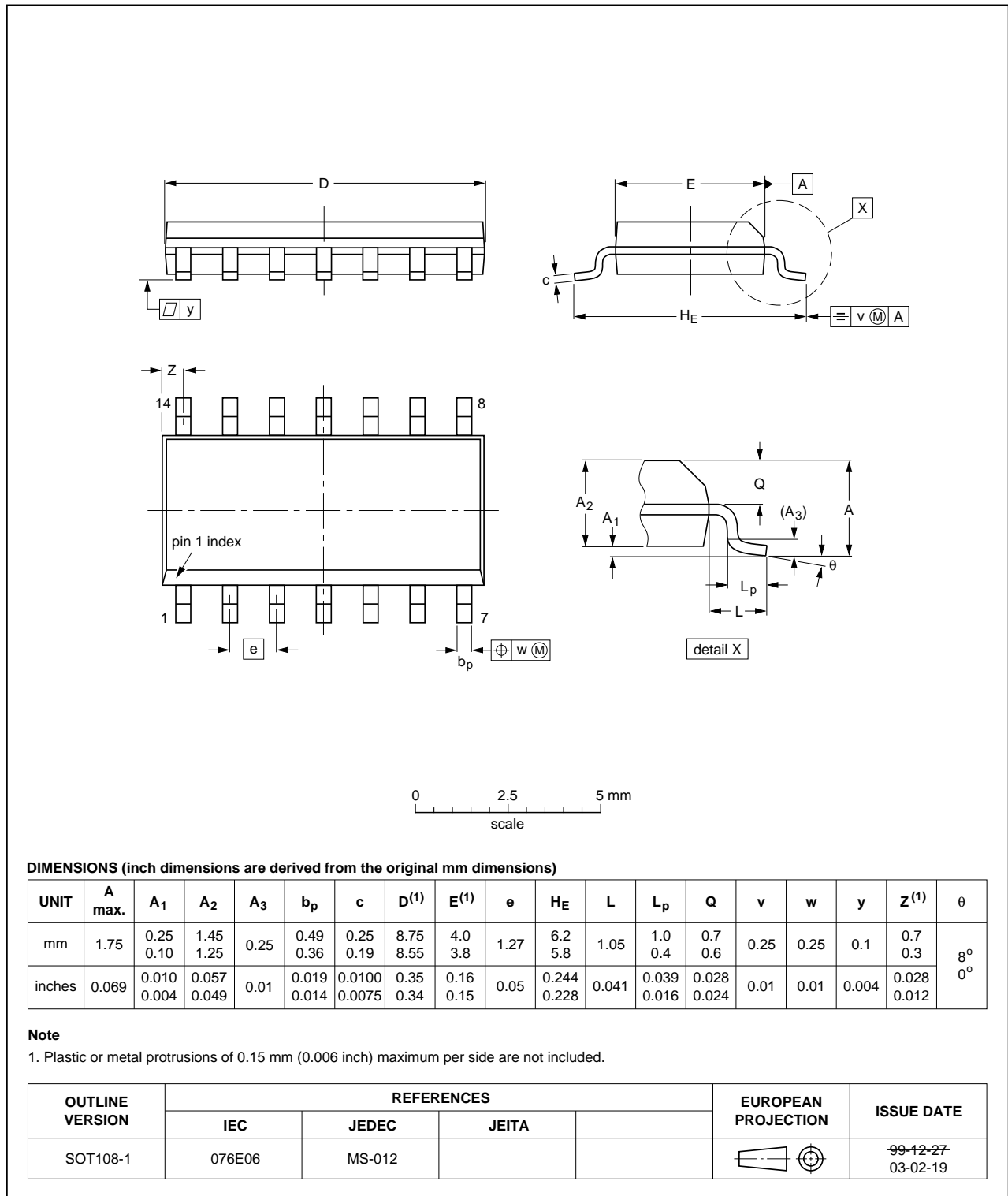


Fig 17. Package outline SOT108-1 (SO14)

SSOP14: plastic shrink small outline package; 14 leads; body width 5.3 mm

SOT337-1

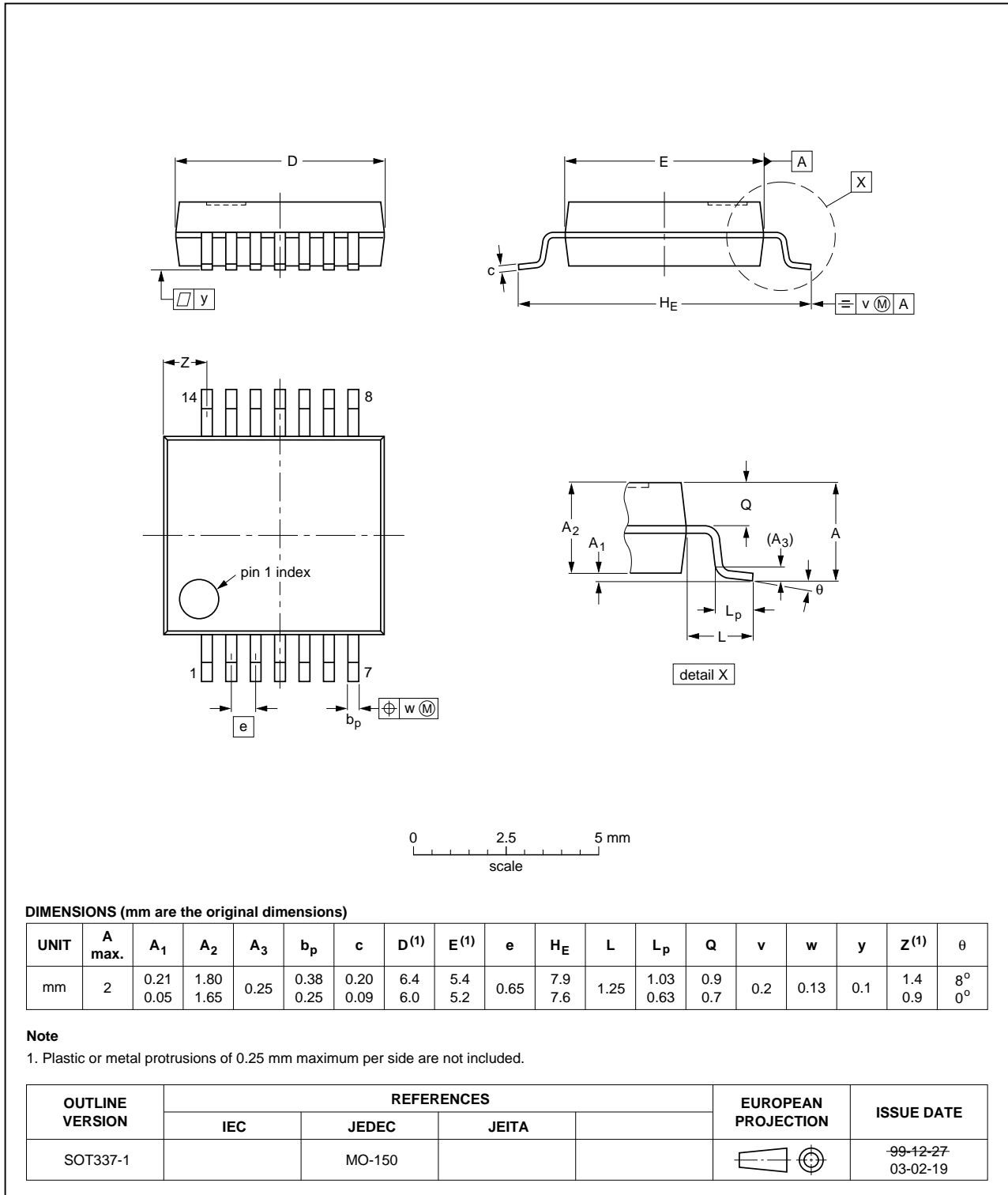


Fig 18. Package outline SOT337-1 (SSOP14)

TSSOP14: plastic thin shrink small outline package; 14 leads; body width 4.4 mm

SOT402-1

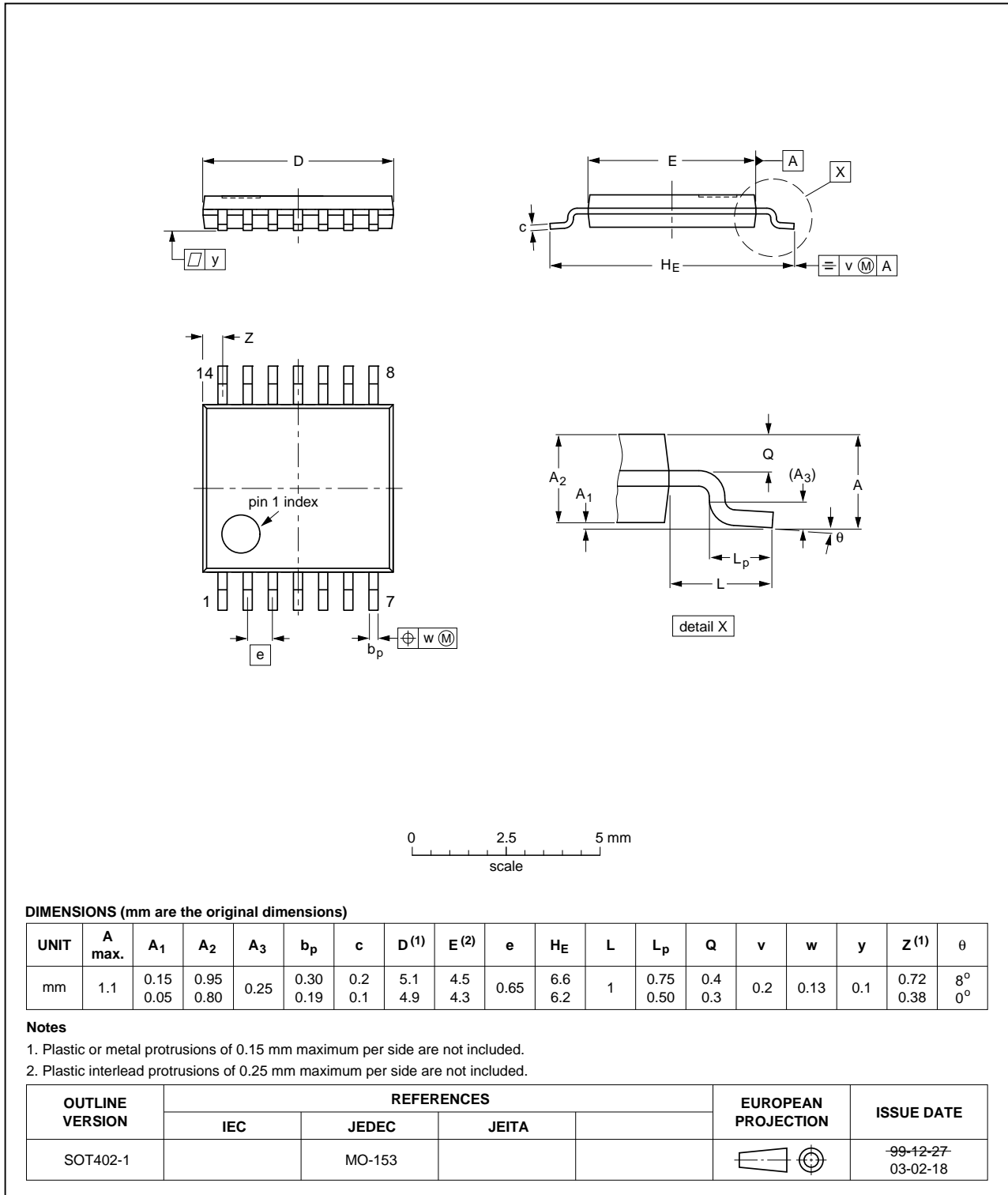


Fig 19. Package outline SOT402-1 (TSSOP14)

DHVQFN14: plastic dual in-line compatible thermal enhanced very thin quad flat package; no leads; 14 terminals; body 2.5 x 3 x 0.85 mm

SOT762-1

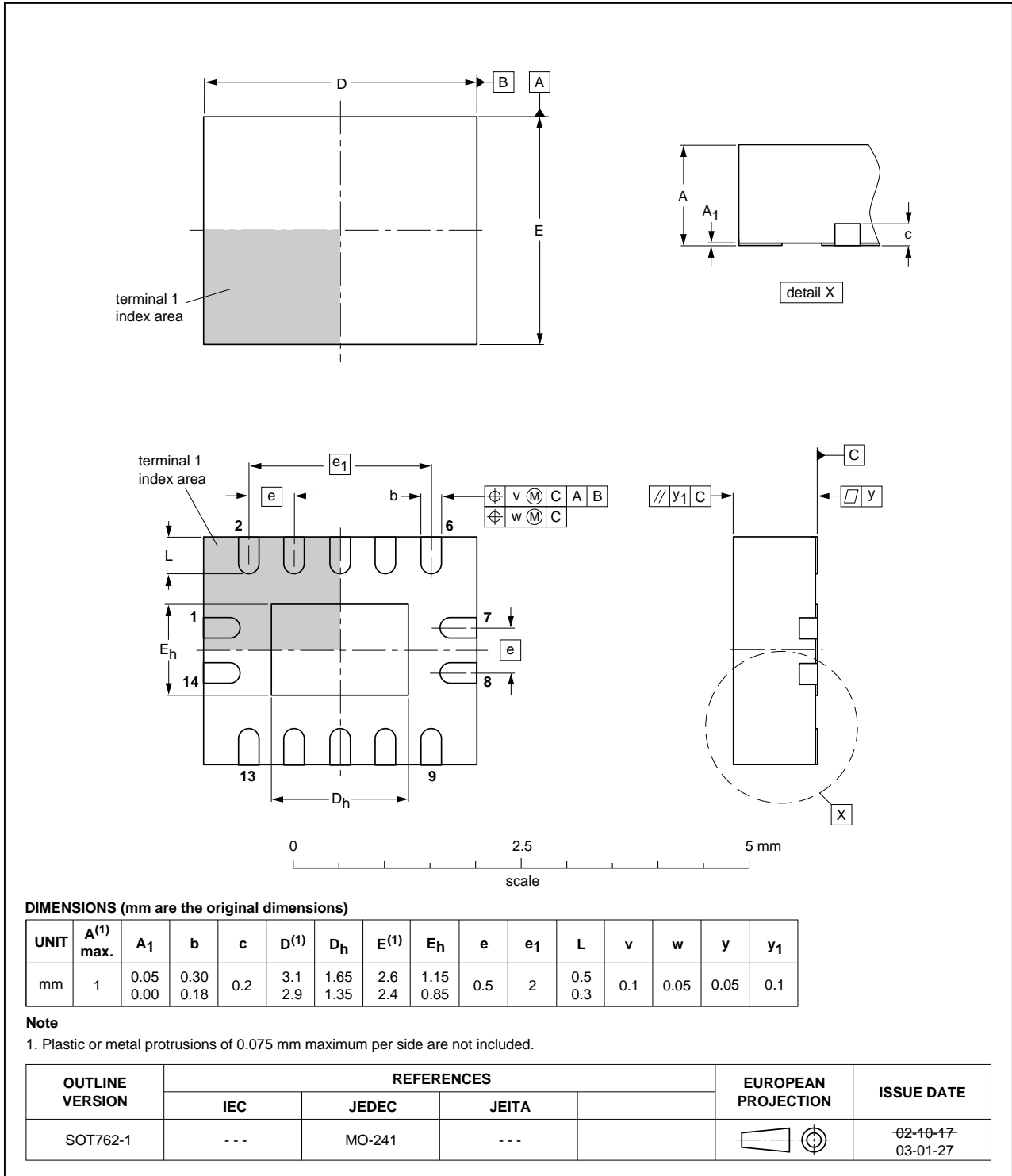


Fig 20. Package outline SOT762-1 (DHVQFN14)

17. Abbreviations

Table 11. Abbreviations

| Acronym | Description |
|---------|--|
| CMOS | Complementary Metal-Oxide Semiconductor |
| DUT | Device Under Test |
| ESD | ElectroStatic Discharge |
| HBM | Human Body Model |
| LSTTL | Low-power Schottky Transistor-Transistor Logic |
| MM | Machine Model |

18. Revision history

Table 12. Revision history

| Document ID | Release date | Data sheet status | Change notice | Supersedes |
|--------------------|---|-----------------------|---------------|--------------------|
| 74HC_HCT14 v.6 | 20120919 | Product data sheet | - | 74HC_HCT14 v.5 |
| Modifications: | <ul style="list-style-type: none"> • Figure 15 added (typical K-factor for relaxation oscillator). | | | |
| 74HC_HCT14 v.5 | 20111219 | Product data sheet | - | 74HC_HCT14 v.4 |
| Modifications: | <ul style="list-style-type: none"> • Legal pages updated. | | | |
| 74HC_HCT14 v.4 | 20110117 | Product data sheet | - | 74HC_HCT14 v.3 |
| 74HC_HCT14 v.3 | 20031030 | Product specification | - | 74HC_HCT14_CNV v.2 |
| 74HC_HCT14_CNV v.2 | 19970826 | Product specification | - | - |

19. Legal information

19.1 Data sheet status

| Document status ^{[1][2]} | Product status ^[3] | Definition |
|-----------------------------------|-------------------------------|---|
| Objective [short] data sheet | Development | This document contains data from the objective specification for product development. |
| Preliminary [short] data sheet | Qualification | This document contains data from the preliminary specification. |
| Product [short] data sheet | Production | This document contains the product specification. |

[1] Please consult the most recently issued document before initiating or completing a design.

[2] The term 'short data sheet' is explained in section "Definitions".

[3] The product status of device(s) described in this document may have changed since this document was published and may differ in case of multiple devices. The latest product status information is available on the Internet at URL <http://www.nxp.com>.

19.2 Definitions

Draft — The document is a draft version only. The content is still under internal review and subject to formal approval, which may result in modifications or additions. NXP Semiconductors does not give any representations or warranties as to the accuracy or completeness of information included herein and shall have no liability for the consequences of use of such information.

Short data sheet — A short data sheet is an extract from a full data sheet with the same product type number(s) and title. A short data sheet is intended for quick reference only and should not be relied upon to contain detailed and full information. For detailed and full information see the relevant full data sheet, which is available on request via the local NXP Semiconductors sales office. In case of any inconsistency or conflict with the short data sheet, the full data sheet shall prevail.

Product specification — The information and data provided in a Product data sheet shall define the specification of the product as agreed between NXP Semiconductors and its customer, unless NXP Semiconductors and customer have explicitly agreed otherwise in writing. In no event however, shall an agreement be valid in which the NXP Semiconductors product is deemed to offer functions and qualities beyond those described in the Product data sheet.

19.3 Disclaimers

Limited warranty and liability — Information in this document is believed to be accurate and reliable. However, NXP Semiconductors does not give any representations or warranties, expressed or implied, as to the accuracy or completeness of such information and shall have no liability for the consequences of use of such information. NXP Semiconductors takes no responsibility for the content in this document if provided by an information source outside of NXP Semiconductors.

In no event shall NXP Semiconductors be liable for any indirect, incidental, punitive, special or consequential damages (including - without limitation - lost profits, lost savings, business interruption, costs related to the removal or replacement of any products or rework charges) whether or not such damages are based on tort (including negligence), warranty, breach of contract or any other legal theory.

Notwithstanding any damages that customer might incur for any reason whatsoever, NXP Semiconductors' aggregate and cumulative liability towards customer for the products described herein shall be limited in accordance with the *Terms and conditions of commercial sale* of NXP Semiconductors.

Right to make changes — NXP Semiconductors reserves the right to make changes to information published in this document, including without limitation specifications and product descriptions, at any time and without notice. This document supersedes and replaces all information supplied prior to the publication hereof.

Suitability for use — NXP Semiconductors products are not designed, authorized or warranted to be suitable for use in life support, life-critical or safety-critical systems or equipment, nor in applications where failure or malfunction of an NXP Semiconductors product can reasonably be expected to result in personal injury, death or severe property or environmental damage. NXP Semiconductors and its suppliers accept no liability for inclusion and/or use of NXP Semiconductors products in such equipment or applications and therefore such inclusion and/or use is at the customer's own risk.

Applications — Applications that are described herein for any of these products are for illustrative purposes only. NXP Semiconductors makes no representation or warranty that such applications will be suitable for the specified use without further testing or modification.

Customers are responsible for the design and operation of their applications and products using NXP Semiconductors products, and NXP Semiconductors accepts no liability for any assistance with applications or customer product design. It is customer's sole responsibility to determine whether the NXP Semiconductors product is suitable and fit for the customer's applications and products planned, as well as for the planned application and use of customer's third party customer(s). Customers should provide appropriate design and operating safeguards to minimize the risks associated with their applications and products.

NXP Semiconductors does not accept any liability related to any default, damage, costs or problem which is based on any weakness or default in the customer's applications or products, or the application or use by customer's third party customer(s). Customer is responsible for doing all necessary testing for the customer's applications and products using NXP Semiconductors products in order to avoid a default of the applications and the products or of the application or use by customer's third party customer(s). NXP does not accept any liability in this respect.

Limiting values — Stress above one or more limiting values (as defined in the Absolute Maximum Ratings System of IEC 60134) will cause permanent damage to the device. Limiting values are stress ratings only and (proper) operation of the device at these or any other conditions above those given in the Recommended operating conditions section (if present) or the Characteristics sections of this document is not warranted. Constant or repeated exposure to limiting values will permanently and irreversibly affect the quality and reliability of the device.

Terms and conditions of commercial sale — NXP Semiconductors products are sold subject to the general terms and conditions of commercial sale, as published at <http://www.nxp.com/profile/terms>, unless otherwise agreed in a valid written individual agreement. In case an individual agreement is concluded only the terms and conditions of the respective agreement shall apply. NXP Semiconductors hereby expressly objects to applying the customer's general terms and conditions with regard to the purchase of NXP Semiconductors products by customer.

No offer to sell or license — Nothing in this document may be interpreted or construed as an offer to sell products that is open for acceptance or the grant, conveyance or implication of any license under any copyrights, patents or other industrial or intellectual property rights.

Export control — This document as well as the item(s) described herein may be subject to export control regulations. Export might require a prior authorization from competent authorities.

Non-automotive qualified products — Unless this data sheet expressly states that this specific NXP Semiconductors product is automotive qualified, the product is not suitable for automotive use. It is neither qualified nor tested in accordance with automotive testing or application requirements. NXP Semiconductors accepts no liability for inclusion and/or use of non-automotive qualified products in automotive equipment or applications.

In the event that customer uses the product for design-in and use in automotive applications to automotive specifications and standards, customer (a) shall use the product without NXP Semiconductors' warranty of the product for such automotive applications, use and specifications, and (b) whenever customer uses the product for automotive applications beyond

NXP Semiconductors' specifications such use shall be solely at customer's own risk, and (c) customer fully indemnifies NXP Semiconductors for any liability, damages or failed product claims resulting from customer design and use of the product for automotive applications beyond NXP Semiconductors' standard warranty and NXP Semiconductors' product specifications.

Translations — A non-English (translated) version of a document is for reference only. The English version shall prevail in case of any discrepancy between the translated and English versions.

19.4 Trademarks

Notice: All referenced brands, product names, service names and trademarks are the property of their respective owners.

20. Contact information

For more information, please visit: <http://www.nxp.com>

For sales office addresses, please send an email to: salesaddresses@nxp.com

21. Contents

| | | |
|-----------|---|-----------|
| 1 | General description | 1 |
| 2 | Features and benefits | 1 |
| 3 | Applications | 1 |
| 4 | Ordering information | 2 |
| 5 | Functional diagram | 2 |
| 6 | Pinning information | 3 |
| 6.1 | Pinning | 3 |
| 6.2 | Pin description | 3 |
| 7 | Functional description | 3 |
| 8 | Limiting values | 4 |
| 9 | Recommended operating conditions | 4 |
| 10 | Static characteristics | 5 |
| 11 | Dynamic characteristics | 6 |
| 12 | Waveforms | 7 |
| 13 | Transfer characteristics | 8 |
| 14 | Transfer characteristics waveforms | 8 |
| 15 | Application information | 10 |
| 16 | Package outline | 13 |
| 17 | Abbreviations | 18 |
| 18 | Revision history | 18 |
| 19 | Legal information | 19 |
| 19.1 | Data sheet status | 19 |
| 19.2 | Definitions | 19 |
| 19.3 | Disclaimers | 19 |
| 19.4 | Trademarks | 20 |
| 20 | Contact information | 20 |
| 21 | Contents | 21 |

Please be aware that important notices concerning this document and the product(s) described herein, have been included in section 'Legal information'.

© NXP B.V. 2012.

All rights reserved.

For more information, please visit: <http://www.nxp.com>

For sales office addresses, please send an email to: salesaddresses@nxp.com

Date of release: 19 September 2012

Document identifier: 74HC_HCT14