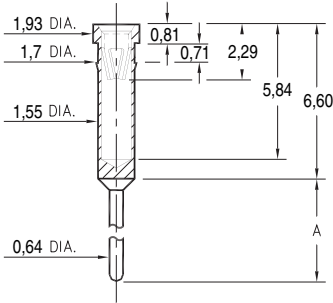


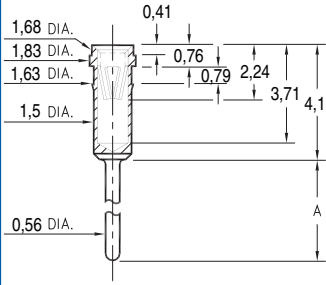
0401/6401



Basic Part Number	Length A
0401-0	8,64
6401-0	13,72

X401-0-15-XX-47-XX-04-0
Press-fit in 1,63 mounting hole

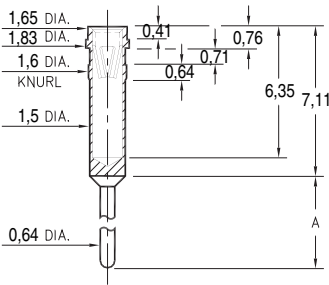
1303/8303



Basic Part Number	Length A
1303-0	3,18
8303-0	20,3

X303-0-15-XX-47-XX-04-0
Press-fit in 1,55 mounting hole

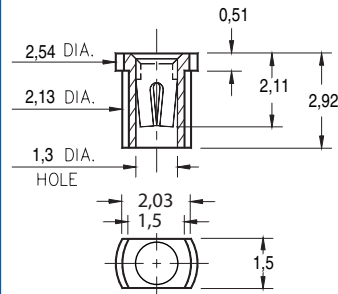
4094/4095



Basic Part Number	Length A
4094-0	6,6
4095-0	16,13

409X-0-15-XX-47-XX-04-0
Press-fit in 1,55 mounting hole

8806



8806-0-18-XX-47-XX-40-0
Surface mount
Also available on 12mm wide carrier tape: 4,000 parts per 330mm reel.
Order as: 8806-0-57-XX-47-XX-10-0

SPECIFICATIONS

SHELL MATERIAL:
Brass Alloy 360, 1/2 Hard

CONTACT MATERIAL:
Beryllium Copper Alloy 172, HT

PART MANUFACTURED IN INCHES, METRIC FOR REF ONLY

TOLERANCES ON:
LENGTHS: ± 0,13
DIAMETERS: ± 0,05
ANGLES: ± 2°

ORDER CODE: **XXXX - X - 15 - XX - 47 - XX - XX - 0**

BASIC PART # _____

SPECIFY SHELL FINISH:

01 5,08µm TIN/LEAD OVER NICKEL

80 5,08µm TIN OVER NICKEL \diamond

15 0,25µm GOLD OVER NICKEL \diamond

SPECIFY CONTACT FINISH:

01 5,08µm TIN/LEAD OVER NICKEL

80 5,08µm TIN OVER NICKEL \diamond

27 0,76µm GOLD OVER NICKEL \diamond



CONTACT

#47 CONTACT (DATA ON PAGE 211)

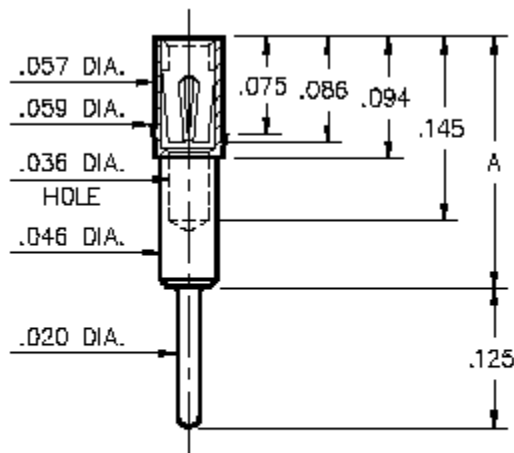


Quick Find by Description:

Home > Product Search > Search Results > **Product Details**

PRODUCT SPECIFIC QUESTIONS

Product Number: 1705 - Receptacle With A Standard Tail for .015-.025 diameter leads.



Basic Part Number	Height A
1705 -0	.165
1706 -0	.218
1762 -0	.300

Basic Part Number:

1705 [Find Mating Pins](#)

Material=[Brass Alloy](#)

Contact:

30=[Standard 4 Finger Contact](#)

Current Rating=3 Amps

Contact Material=[Beryllium Copper](#)

Shell Plating:

01=200 - 300 μ" Tin/Lead over Nickel

15=10 μ" Gold over Nickel

80=200 - 300 μ" Tin (matte finish) over Nickel

Contact Plating:

02=100 - 200 μ" Tin/Lead over Nickel

27=30 μ" Gold over Nickel

84=100 - 200 μ" Tin (matte finish) over Nickel





17XX-0-15-XX-35-XX-04-0

Press-fit in .057 mounting hole

For Additional plating options click [here](#)
All dimensions above in inches, for metric dimensions click [here](#).

Want to modify this part? [Email](#) Technical Services with your application specific requirement.



Mill-Max Part Number	Sample Cart	Place Order with Distributor	RoHS Compliant
1705-0-15-01-30-02-04-0	Add	Check Stock and Place Order	NO
1705-0-15-01-30-27-04-0	Add	Check Stock and Place Order	NO
1705-0-15-15-30-02-04-0	Add	Check Stock and Place Order	NO
1705-0-15-15-30-27-04-0	Add	Check Stock and Place Order	
1705-0-15-15-30-84-04-0	Add	Check Stock and Place Order	
1705-0-15-80-30-27-04-0	Add	Check Stock and Place Order	
1705-0-15-80-30-84-04-0	Add	Check Stock and Place Order	

[TOP OF PAGE](#)

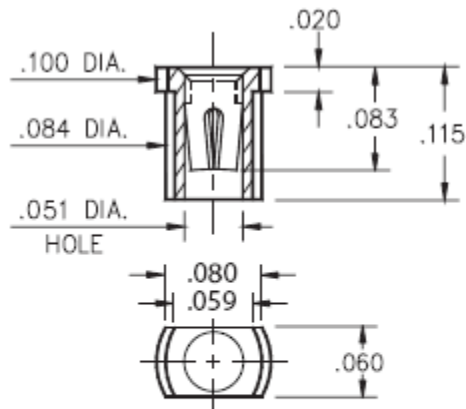


Quick Find by Description:

Home > Product Search > Search Results > **Product Details**

PRODUCT SPECIFIC QUESTIONS

Product Number: 8806 - Surface Mount Receptacle for .025-.037 .025 sq post diameter leads.



8806-0-18-XX-47-XX-40-0

Surface mount

Also available on 12mm wide carrier tape: 4,000 parts per 13" reel.
Order as: 8806-0-57-XX-47-XX-40-0

Basic Part Number:

8806 [Find Mating Pins](#)

Material=[Brass Alloy](#)

Contact:

47=[Standard 6 Finger Contact](#)

Current Rating=4.5 Amps

Contact Material=[Beryllium Copper](#)

Shell Plating:

02=100 - 200 μ" Tin/Lead over Nickel

15=10 μ" Gold over Nickel

80=200 - 300 μ" Tin (matte finish) over Nickel

Contact Plating:

01=200 - 300 μ" Tin/Lead over Nickel




27=30 μ" Gold over Nickel

80=200 - 300 μ" Tin (matte finish) over Nickel

For Additional plating options click [here](#)
All dimensions above in inches, for metric dimensions click [here](#).

Want to modify this part? [Email](#) Technical Services with your application specific requirement.



Mill-Max Part Number	Sample Cart	Place Order with Distributor	RoHS Compliant
8806-0-18-02-47-01-40-0	Add	Check Stock and Place Order	NO
8806-0-18-02-47-27-40-0	Add	Check Stock and Place Order	NO
8806-0-18-02-47-80-40-0	Add	Check Stock and Place Order	NO
8806-0-18-15-47-01-40-0	Add	Check Stock and Place Order	NO
8806-0-18-15-47-27-40-0	Add	Check Stock and Place Order	
8806-0-18-15-47-80-40-0	Add	Check Stock and Place Order	
8806-0-18-80-47-80-40-0	N/A	Check Stock and Place Order	
8806-0-18-84-47-01-40-0	Add	Check Stock and Place Order	NO
8806-0-18-84-47-27-40-0	Add	Check Stock and Place Order	NO
8806-0-18-84-47-80-40-0	Add	Check Stock and Place Order	NO
8806-0-57-02-47-01-40-0	Add	Check Stock and Place Order	NO
8806-0-57-02-47-27-40-0	Add	Check Stock and Place Order	NO

8806-0-57-02-47-80-40-0	Add	Check Stock and Place Order	NO
8806-0-57-15-47-01-40-0	Add	Check Stock and Place Order	NO
8806-0-57-15-47-27-40-0	Add	Check Stock and Place Order	
8806-0-57-15-47-80-40-0	Add	Check Stock and Place Order	
8806-0-57-80-47-80-40-0	N/A	Check Stock and Place Order	
8806-0-57-84-47-01-40-0	Add	Check Stock and Place Order	NO
8806-0-57-84-47-27-40-0	Add	Check Stock and Place Order	NO
8806-0-57-84-47-80-40-0	Add	Check Stock and Place Order	NO

[TOP OF PAGE](#)