

SERIES C100

15,0mm Two-Screw Terminal Strip

Description

These Eurostyle® two-screw terminal strips provide safe, efficient and reliable wiring connections. The recessed screws and the fully enclosed design of the molding greatly reduces the danger of accidental contact with current-carrying parts and meets the requirements of the IEC Low Voltage Directive.

The most popular configuration includes standoffs on the base of the molding, raising the terminal block to facilitate wiring. The -L feature removes the standoffs to meet the requirements of height constrained applications.

The optional stainless steel wire protector is recommended for use with standard wire and smaller AWG solid wires. The strips are offered in 2 to 12 circuits.

Features

- **Modular design.** Can be cut into smaller sections with an utility knife. Maintains center-to-center spacing when installed end to end. Mounting holes are provided between every circuit.
- **Dead front construction.** Both screws and terminals are recessed to avoid shock hazard. Allows closer mounting to components. Also allows installation of connector where space is limited.
- **Captive wire protectors** (option) hold wire firmly in place. They maintain the integrity of the wire and the electrical connection while increasing pull-out strength.



PRODUCT RATINGS

UL	Class B	40 Amps @ 600 V 8 AWG
	Class C	40 Amps @ 600 V 8 AWG
CSA	Class B	40 Amps @ 600 V 8 AWG
	Class C	40 Amps @ 600 V 8 AWG

APPROVALS

UL	File No. E82573
	Guide No. XCFR2
CSA	File No. 25562

TECHNICAL SPECIFICATIONS

ELECTRICAL	
DWV	>5000 VDC
IR	> 3 x 10 ¹² Megohms

MECHANICAL	
Tightening torque	10 in-lbs.
Wire Range	8 to 24 AWG

ENVIRONMENTAL	
Operating temp	110°C

MATERIALS

Insulator	Nylon 6.6, UL94V-2
Inserts	Brass, chemically tinned
Wire protector	18/18 stainless band steel
Screws	Zinc-plated steel
Terminals	Nickel-plate brass

OPTIONS

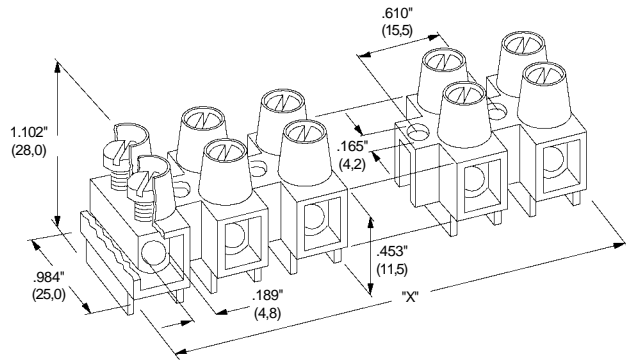
-L	Low profile
-10A	Imprinting
-1001	Wire protector

HOW TO ORDER

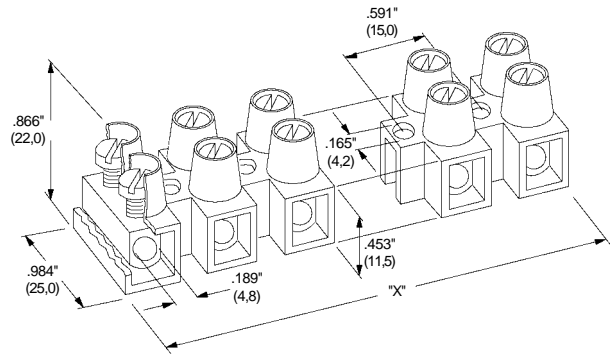
C	1	0	0	X	X	X	X
SERIES				NO. OF POLES		OPTIONS	
				2 to 12		(Dash#'s above)	

SERIES C100

With Standoffs



Low Profile (-L option)



No. of	A	
Circuits	in	mm
02	.98	25,0
03	1.58	40,0
04	2.17	55,0
05	2.76	70,0
06	3.35	85,0
07	3.94	100,0
08	4.53	115,0
09	5.12	130,0
10	5.71	145,0
11	6.30	160,0
12	6.89	175,0

No. of	A	
Circuits	in	mm
02	.98	25,0
03	1.58	40,0
04	2.17	55,0
05	2.76	70,0
06	3.35	85,0
07	3.94	100,0
08	4.53	115,0
09	5.12	130,0
10	5.71	145,0
11	6.30	160,0
12	6.89	175,0