

LED Indicators

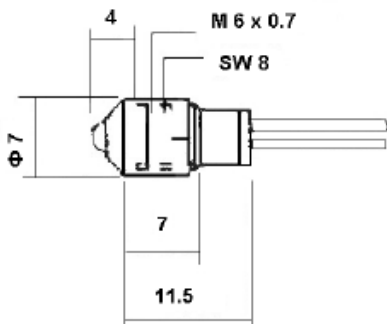
3mm Prominent or Recessed



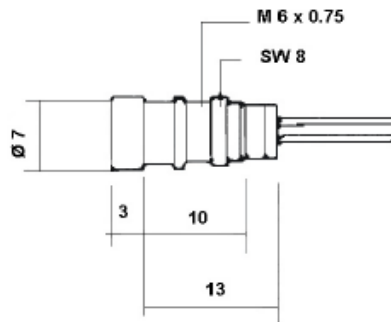
A range of panel mounting LED indicators in high quality bright chrome or black chrome plated brass housings. Fitted with fixing nut and washer.

Bezel = 4 x 7 diameter (prominent), 3 x 7 diameter (recessed). Total L behind bezel = 11.5 (prominent) 13.0 (recessed). Mounting hole diameter = 6. Shorter lead Cathode.

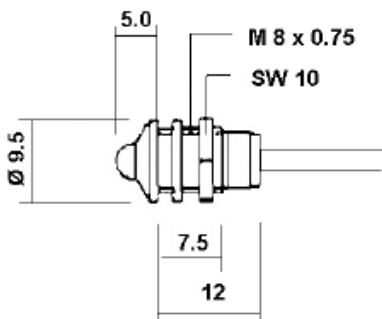
Drawing Number - A



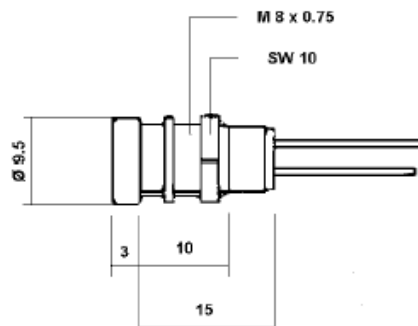
Drawing Number - B



Drawing Number - C



Drawing Number - D



Dimensions : Millimetres



LED Indicators

3mm Prominent or Recessed



Specifications

Colour	Typical Lumination Intensity (mcd) at $I_F = 20\text{mA}$	V_F (typical) (V)	I_F (maximum) (mA)	Refer Drawing	Part Number
HE Red	17.5	2.0-2.6	45	A	MC19020003
Green	27.0				MC19020001
Yellow	32.0				MC19020002
HE Red	15.0	2.0-2.6	45	B	MC19030003
Green	34.0				MC19030001
Yellow	28.0		MC19030002		
Pure Orange	15.0	3.8-4.4	30		MC19030008
Blue	6.0		50		MC19030007
HE Red	17.5	2.0-2.6	45	A	MC19021003
Green	27.0				MC19021001
Yellow	32.0		MC19021002		
Pure Orange	17.5	3.8-4.4	30		MC19021008
Blue	5.0		50		MC19021007
HE Red	15.0	2.0-2.6	45	B	MC19031003
Green	34.0				MC19031001
Yellow	28.0		MC19031002		
Pure Orange	15.0		30		MC19031008

Bezel = 5.0 x 9.5 diameter (prominent), 3.0 x 9.5 (recessed). Total L behind bezel = 12.0 (prominent), 15.0 (recessed).
Mounting hole diameter = 8.0, Shorter lead cathode.

LED Indicators

3mm Prominent or Recessed



Specifications

Colour	Typical Lumination Intensity (mcd) at $I_F = 20\text{mA}$	V_F (typical) (V)	I_F (maximum) (mA)	Refer Drawing	Part Number
HE Red	20.0	2.0-2.6	45	C	MC19040003
Green	25.0				MC19040001
Yellow			MC19040002		
Pure Orange			30		MC19040008
Blue	6.0		50		MC19040007
HE Red	27.0	2.0-2.6	45	D	MC19050003
Yellow	27.0				MC19050002
Pure Orange			30		MC19050008
Blue	7.0		50		MC19050007
HE Red	20.0	2.0-2.6	45	C	MC19041003
Green	25.0				MC19041001
Yellow					MC19041002
Blue	6.0				50
HE Red	27.0	2.0-2.6	45	D	MC19051003
Green	30.0				MC19051001
Yellow	27.0				MC19051002
Blue	7.0				50

Operating temperature (T_{OP}) : -55°C to +70°C.

Storage temperature (T_{STG}) : -55°C to +100°C.

The Led indicator is available in bright or black chrome reflector. The 7th digit has to be coded with 0 or 1.

Bright chrome = 0

Black chrome = 1

Example : MC19020001 green with bright chrome.
MC19021000 green with black chrome.

