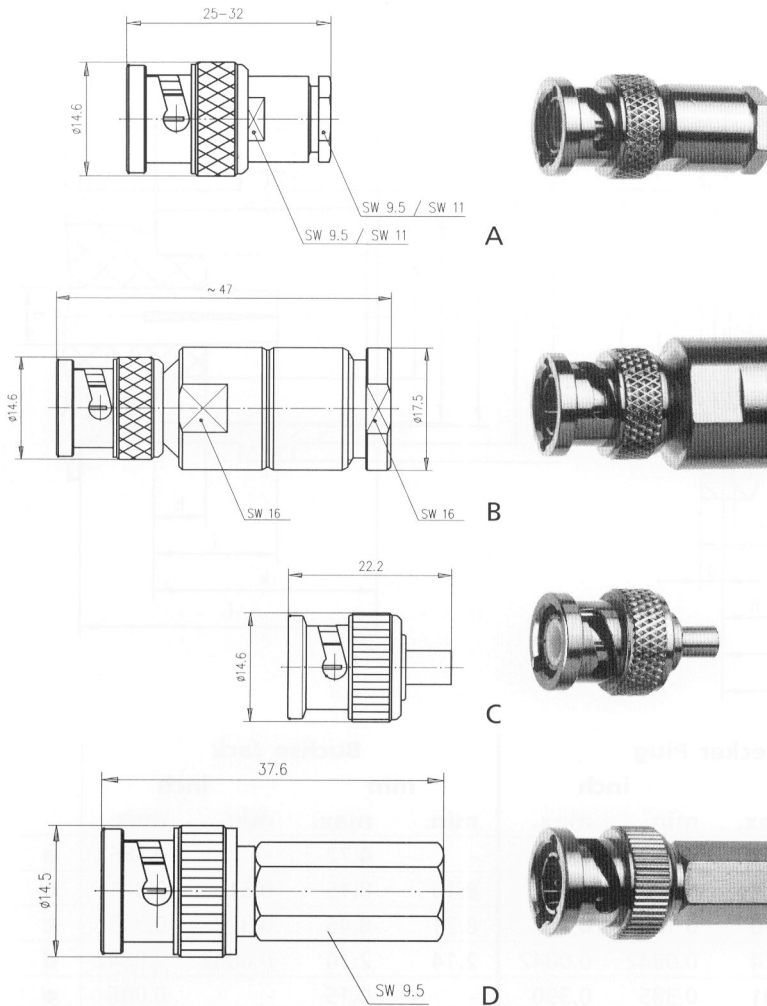


## 1 BNC-Kabelstecker

## BNC Straight Plug



Bestell-Nr. Order Nr.	Abb. Fig.	MIL-Std. MIL-Std.	Z Z	Kabelgruppe; Kabel Cable group; cable	Montage Assembly	Anmerkungen Remarks
J01000A0606	A		50	G7 (RG-316/U)	A03	
J01000A0608	A	UG-88/U	50	G1 (RG-58C/U)	A01	Druckverschraubung pressure sleeve
J01000B0608	A	UG-88C/U	50	G1 (RG-58C/U); G5 (RG-223/U); RG-141A/U; RG-142B/U	A02	MIL-Verschraubung MIL-clamp
J01000F0608	A	UG-88/U	50	G1 (RG-58C/U)	A16	Druckverschraubung Low Cost pressure sleeve Low cost
J01000A1321	A		50	G3 (RG-178B/U)	A03	
J01000A1940	B	UG-959/U	50	RG-213/U; RG-214/U; 9880 Belden	A05	
J01000A0026	C		50	G11(UT-85)	A17	
J01000A0027	C		50	G10 (UT-141)	A12	
J01002A0001	A		75	G27 (Belden 9248)	A02	
J01002A0609	A	UG-260/U	75	G2 (RG-59B/U)	A01	Druckverschraubung pressure sleeve
J01002F0609	A	UG-260/U	75	G2 (RG-59B/U)	A16	Druckverschraubung Low Cost pressure sleeve Low cost
J01002A1215	A	UG-260 A/U	75	G2 (RG-59B/U)	A02	MIL-Verschraubung MIL-clamp
J01002A1216	A	UG-260 B/U	75	G2 (RG-59B/U); RG-71 B/U; RG-62A/U	A02	MIL-Verschraubung MIL-clamp
J01002A1323	A		75	G4 (RG-179B/U)	A03	
J01002A1940	B		75	G31 (RG-11A/U); G32 (RG-216/U); 7731A BELDEN	A05	
J01002A0015	D		75	G2 (RG-59B/U)	A13	Twist on