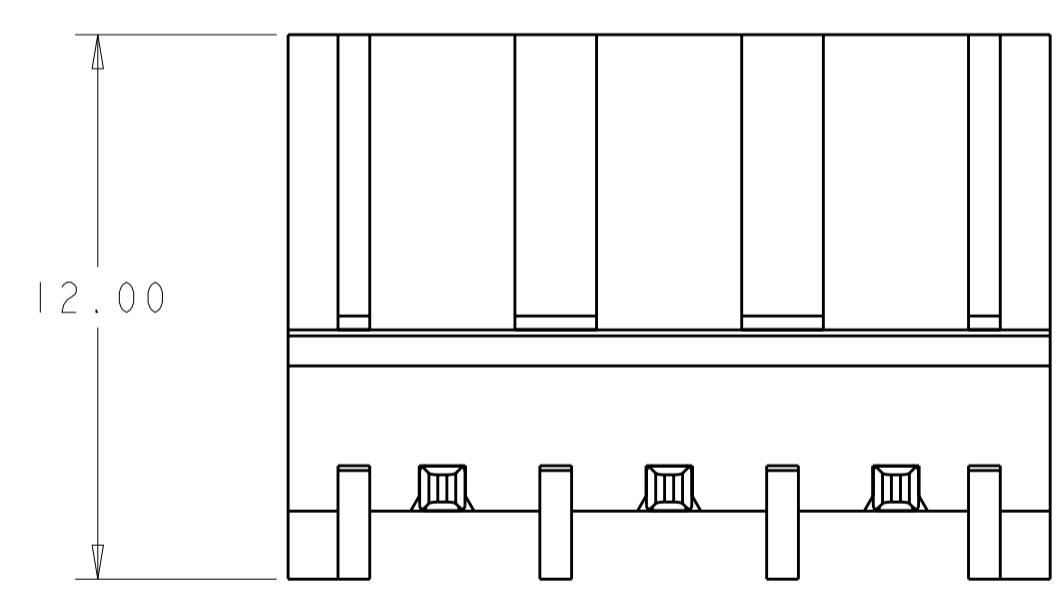
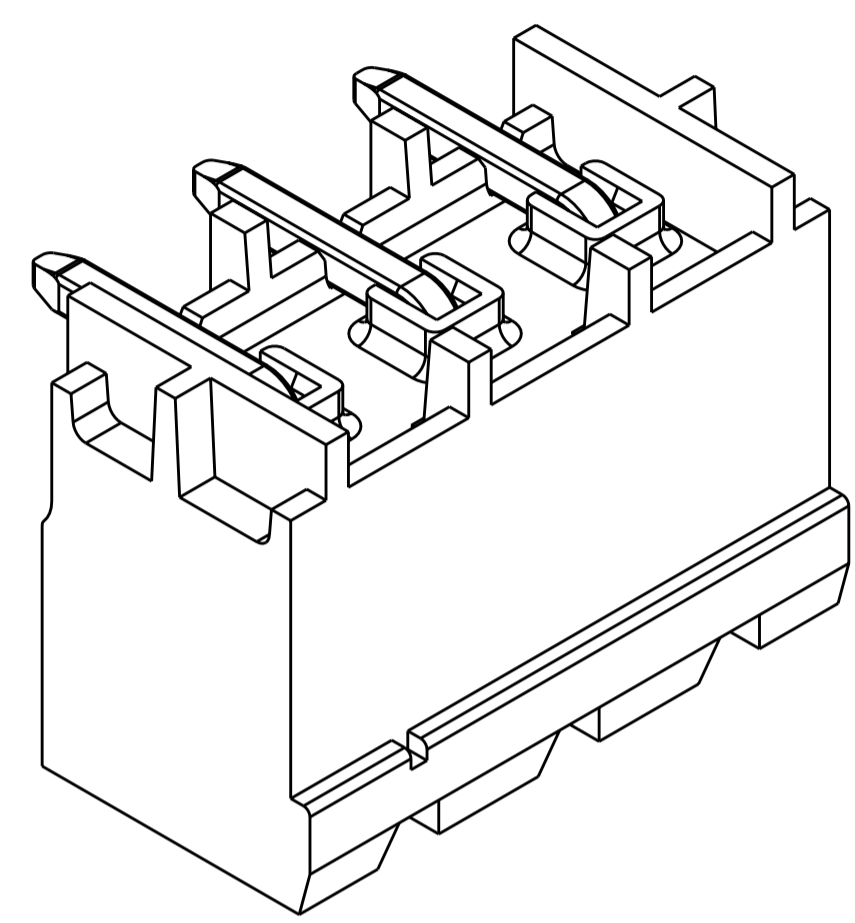
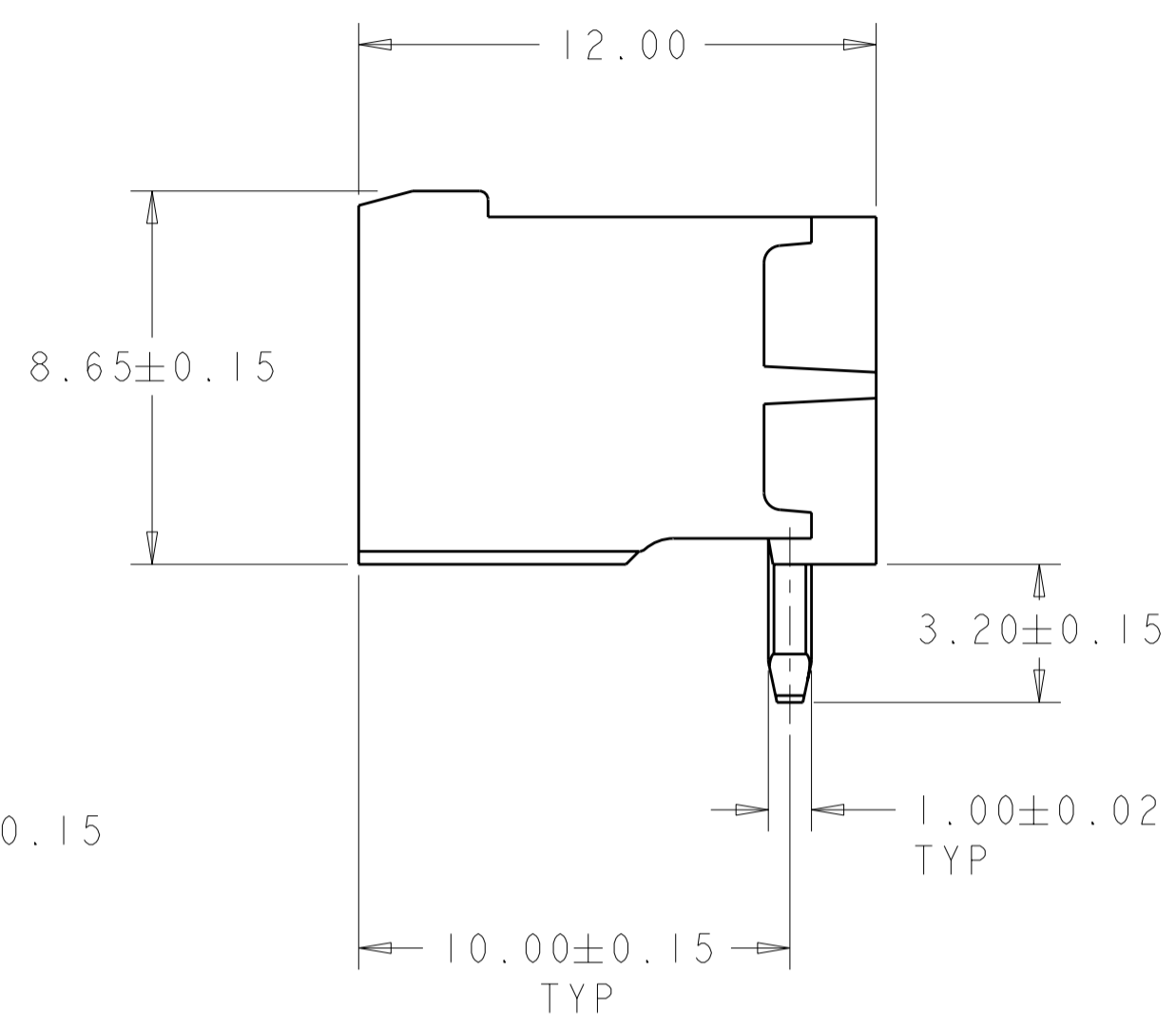
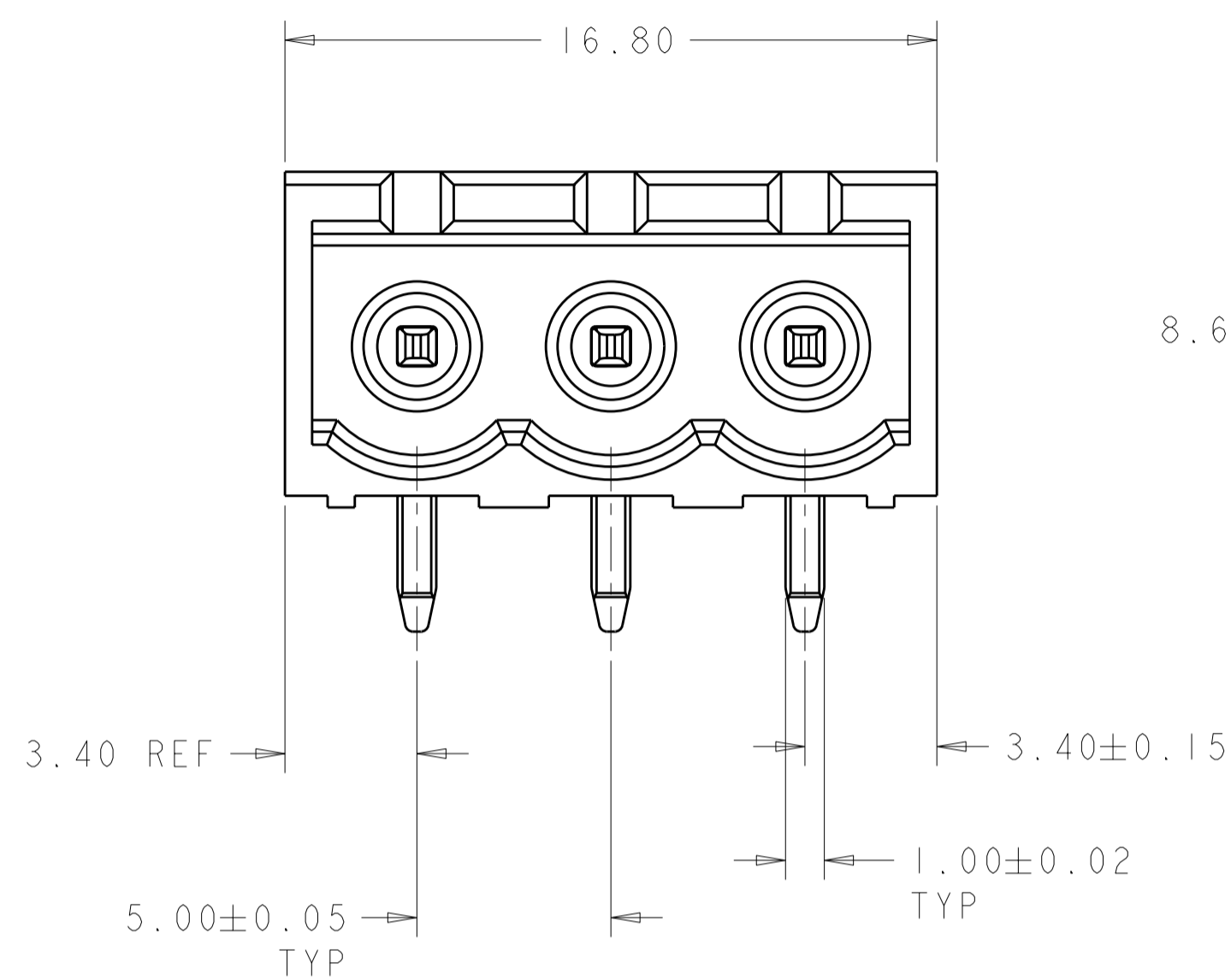


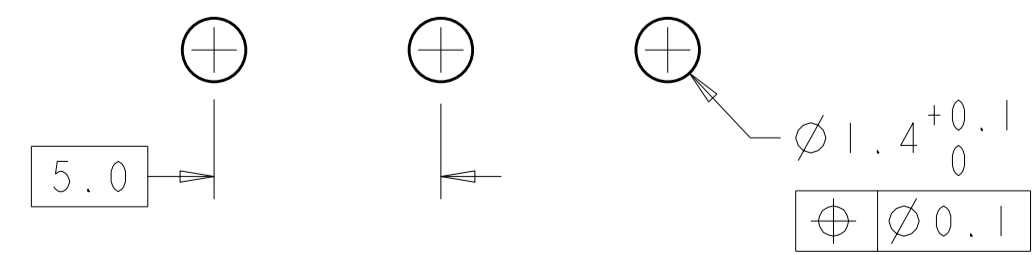
THIS DRAWING IS UNPUBLISHED. RELEASED FOR PUBLICATION 20  
 © COPYRIGHT 20 BY TYCO ELECTRONICS CORPORATION. ALL RIGHTS RESERVED.

LOC		DIST		REVISIONS			
P	LTR	DESCRIPTION	DATE	DWN	APVD		
	AI	REVISED PER ECO-08-031201	18DEC2008	HMR	CR		



- 1. MATERIALS AND FINISH:  
 HOUSING: HIGH TEMPERATURE POLYAMIDE, UL 94V-0 RATED,  
 COLOR: BLACK.  
 TERMINAL: PHOSPHOR BRONZE, SEE TABLE.
- 2. SUITABLE FOR 1,6-2, 4mm PC BOARD THICKNESS.
- 3. RECOGNIZED UNDER THE COMPONENT PROGRAM OF  
 UNDERWRITERS LABORATORIES INC. FILE N° E60677.
- 4. IMQ CERTIFICATE WITH SURVEILLANCE IN CONFORMITY  
 WITH IEC 998-1/998-2-1.
- 5. UL RATING 300V, 15A.
- 6. TAPE AND REEL PACKAGED.
- 7. PRELIMINARY PART NUMBER.

PLATING	DIM L	NO OF POSN	PART NUMBER	
6	TIN	16.8	3	2-1776148-3
7	0.76 μm AU	26.8	5	1-1776148-3
		61.8	12	1-1776148-2
		56.8	11	1-1776148-1
		51.8	10	1-1776148-0
		46.8	9	1776148-9
		41.8	8	1776148-8
		36.8	7	1776148-7
		31.8	6	1776148-6
		26.8	5	1776148-5
		21.8	4	1776148-4
		16.8	3	1776148-3
		11.8	2	1776148-2



RECOMMENDED PC BOARD LAYOUT

THIS DRAWING IS A CONTROLLED DOCUMENT FOR TYCO ELECTRONICS CORPORATION IT IS SUBJECT TO CHANGE AND THE CONTROLLING ENGINEERING ORGANIZATION SHOULD BE CONTACTED FOR THE LATEST REVISION.		DWN S. WELDON 07JUN2005 CHK C. RICHARD 07JUN2005 APVD C. RICHARD 07JUN2005 PRODUCT SPEC APPLICATION SPEC WEIGHT -	Tyco Electronics Harrisburg, PA 17105-3608 NAME <b>TERMINAL BLOCK HEADER ASSEMBLY,          90 DEGREE, CLOSED ENDS,          5.00mm PITCH</b>
DIMENSIONS: mm 	TOLERANCES UNLESS OTHERWISE SPECIFIED: 0 PLC ± 1 PLC ±0.1 2 PLC ±0.25 3 PLC ± 4 PLC ± ANGLES ± FINISH	MATERIAL 	SIZE A2 CAGE CODE 00779 DRAWING NO C-1776148 RESTRICTED TO - SCALE 6:1 SHEET 1 OF 1 REV AI