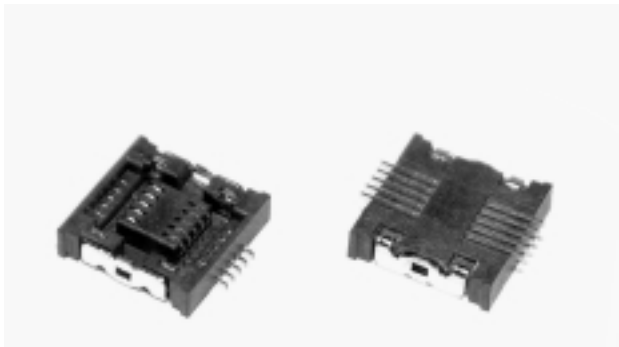


0.50mm PITCH BOARD TO BOARD VERTICAL SMD TYPE

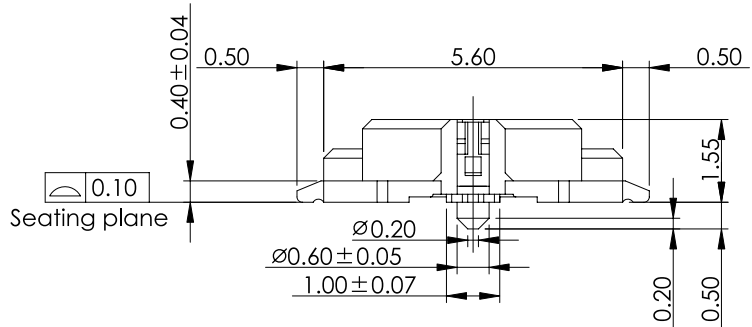
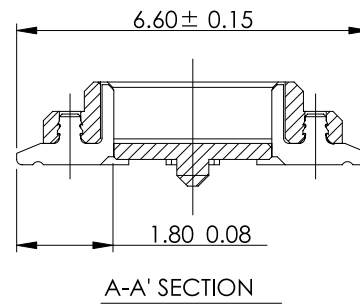
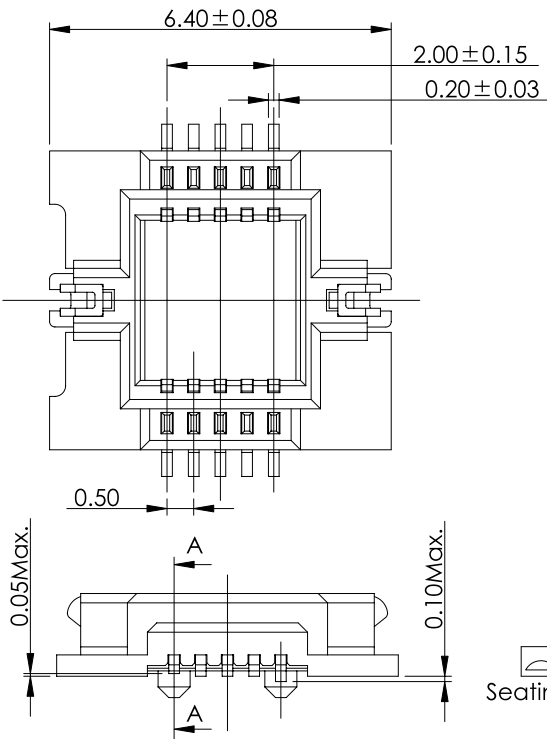


500001MB Series

Match with 500002FB Series

Specifications:

- **Insulator material** : Black High Temp. Plastic
- **Operating Type Range** : -40°C TO +105°C
- **Terminal Material** : Phos. Bronze
- **Platings** : Contact-Selective Gold
Plated or Full Gold Plated
- **Max. Current Rating** : 0.5A
- **Max. Voltage Rating** : 60V AC
- **Dielectric Strength** : 500V AC For 60 Seconds



Order Information

500001MB010□□00ZR
1 2 3 4 5

1. 'B' : Right Angle SMT Type
 2. No. of Pins.
 3. Plating
 4. Color 'Z' : Black
 5. Package
'R' : Reel Package With Cap
- Reference Page 11

Recommended P.C.B. Layout

