





## CX20707 Features

### CODEC

- 5-wire digital audio I/O (I2S/PCM/SPDIF), supporting full-duplex independent sampling rates
- One 2-wire I<sup>2</sup>C or 4-wire SPI slave interface for external MCU
- UART interface
- Eight GPIO pins
- 2.5 W BTL mono Class-D Speaker Amplifier
- Single-ended or differential mono analog audio input
- Mono microphone interfaces with on-chip bias supply
- Integrated 50 mW headphone driver with jack sense
- Single-ended or differential line out
- 24-bit DAC/ADC, SNR 102 dB, THD - 92 dB at 48 kHz 3.3 V
- Audio sample rate: 8, 11.025, 12, 16, 22.05, 24, 32, 44.1, 48, 64, 88.2, 96 kHz
- 90 dB dynamic range with 0.01percent THD+N at 4 Ω load
- Spread Spectrum for filter-less, low EMI output
- 10-bit ADC multiplexed to support analog volume potentiometer and DC level detection

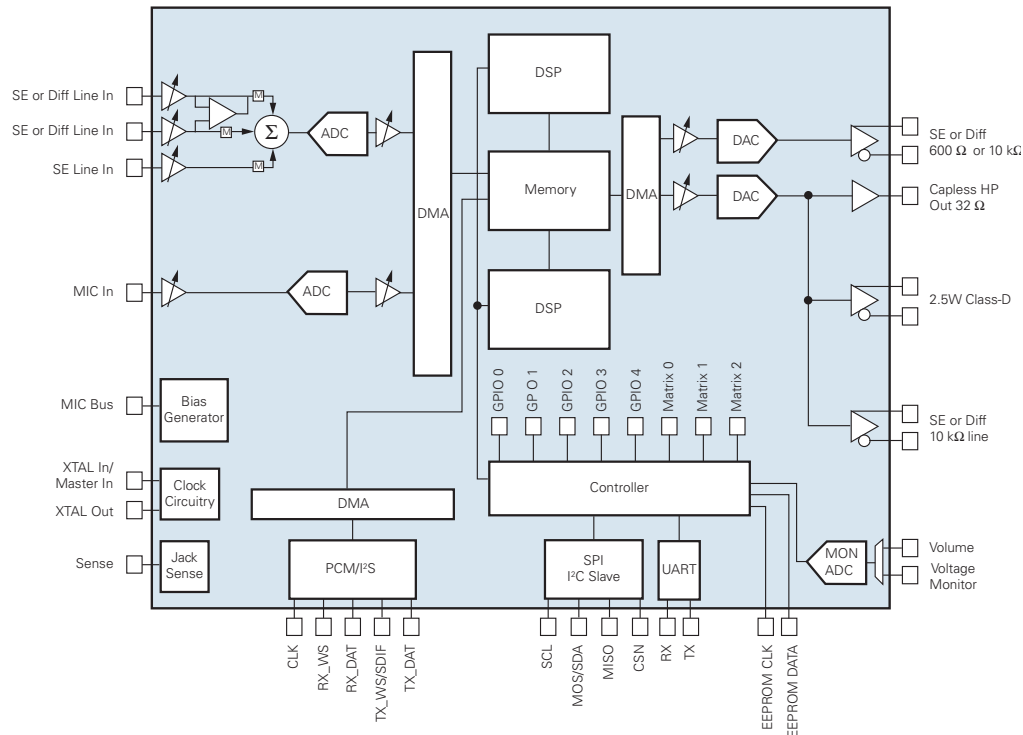
- Flexible power management
- Variable master clock rates

### DSP

- Subband acoustic echo suppression and cancellation
- Noise reduction for inbound speech (far end) and outbound speech (near end)
- Dynamic loudness adaptor
- Mic auto gain control
- Digital parametric equalizer (10 bands/channel)
- Dynamic range compression

### SPoC Configuration Toolbox

- Fast configuration tool via USB-to-I<sup>2</sup>C from PC
- Device configuration and DSP parameter adjustment
- Output log for convenient MCU programming



**CX20707 Interface Diagram**  
The CX20707 is offered in a 76-pin QFN package

### Conexant Product Portfolio

Conexant's comprehensive product portfolio includes solutions for imaging, audio, embedded modem and video surveillance applications.

© 2009 Conexant Systems, Inc. All Rights Reserved. Conexant and the Conexant logo are registered trademarks of Conexant Systems, Inc. All other trademarks are owned by their respective owners. Although Conexant strives for accuracy in all its publications, this material may contain errors or omissions and is subject to change without notice. **THIS MATERIAL IS PROVIDED AS IS AND WITHOUT ANY EXPRESS OR IMPLIED WARRANTIES, INCLUDING MERCHANTABILITY, FITNESS FOR A PARTICULAR PURPOSE AND NON-INFRINGEMENT.** Conexant shall not be liable for any special, indirect, incidental or consequential damages as a result of its use.

**www.conexant.com**  
General Information:  
U.S. and Canada: (888) 855-4562  
International: 1+ (949) 483-3000  
Headquarters  
4000 MacArthur Blvd.  
Newport Beach, CA 92660  
Doc# PBR-202455

