

Non-Synchronous PWM Boost Controller



General Description

The FP5205 is a boost topology switching regulator for wide operating voltage applications. It provides built-in gate driver pin for driving an external N-MOSFET. The internal compensation network minimizes external component counts, and the non-inverting input of error amplifier connects to a 0.6V precision reference voltage. The FP5205 has internal soft start and programmable over current protection set by external resistance.

The FP5205 is available in the small footprint SOT23-6L package to fit in space-saving PCB layout for miscellaneous application fields.

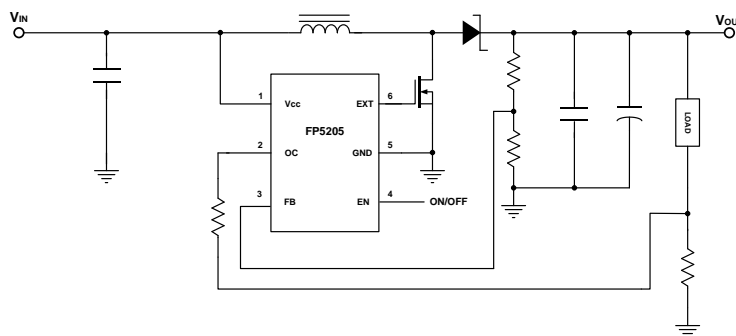
Features

- Wide Supply Voltage Operating Range: 2.4 to 5.5V
- Precision Feedback Reference Voltage: 0.6V ($\pm 2\%$)
- Shutdown Current: $< 1\mu\text{A}$
- Internal Fixed PWM frequency: 550KHz
- Internal Soft Start Function :7ms (SS)
- Over Current Protection Function (OCP)
- Over Voltage Protection
- Package: SOT23-6L
- Duty Cycle: PWM/PFM Switching Control Circuit (15%~90%)

Applications

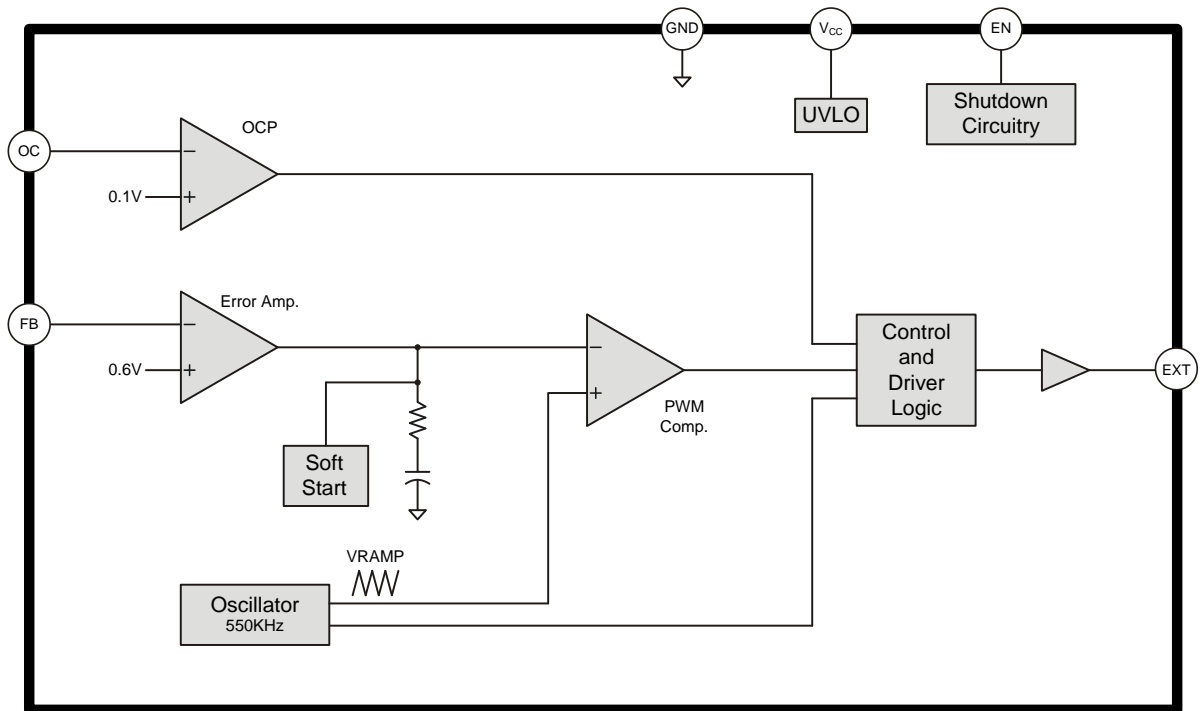
- Chargers
- LCD Displays
- Digital Cameras
- Handheld Devices
- Portable Products

Typical Application Circuit



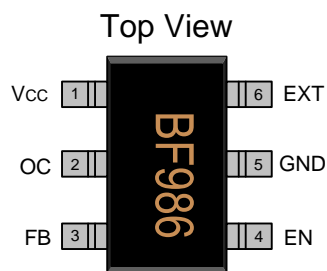
This datasheet contains new product information. Feeling Technology reserves the rights to modify the product specification without notice. No liability is assumed as a result of the use of this product. No rights under any patent accompany the sales of the product.

Function Block Diagram



Pin Descriptions

SOT23-6L



Name	No.	I / O	Description
Vcc	1	P	IC Power Supply
OC	2	I	Adjustable Output Current Protection
FB	3	I	Error Amplifier Inverting Input
EN	4	I	Enable Control (Active High)
GND	5	P	IC Ground
EXT	6	O	External Transistor Connection Pin

This datasheet contains new product information. Feeling Technology reserves the rights to modify the product specification without notice. No liability is assumed as a result of the use of this product. No rights under any patent accompany the sales of the product.