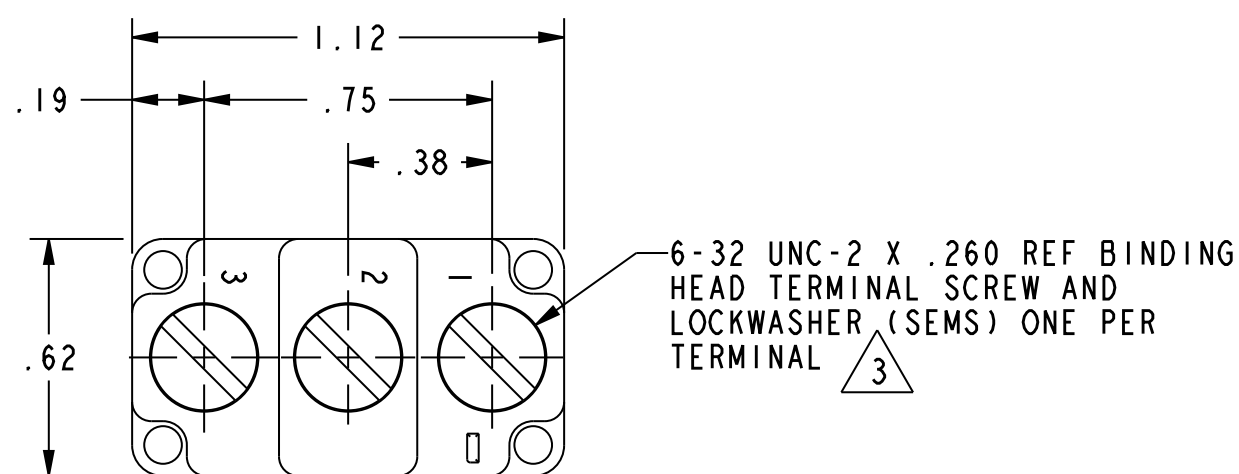
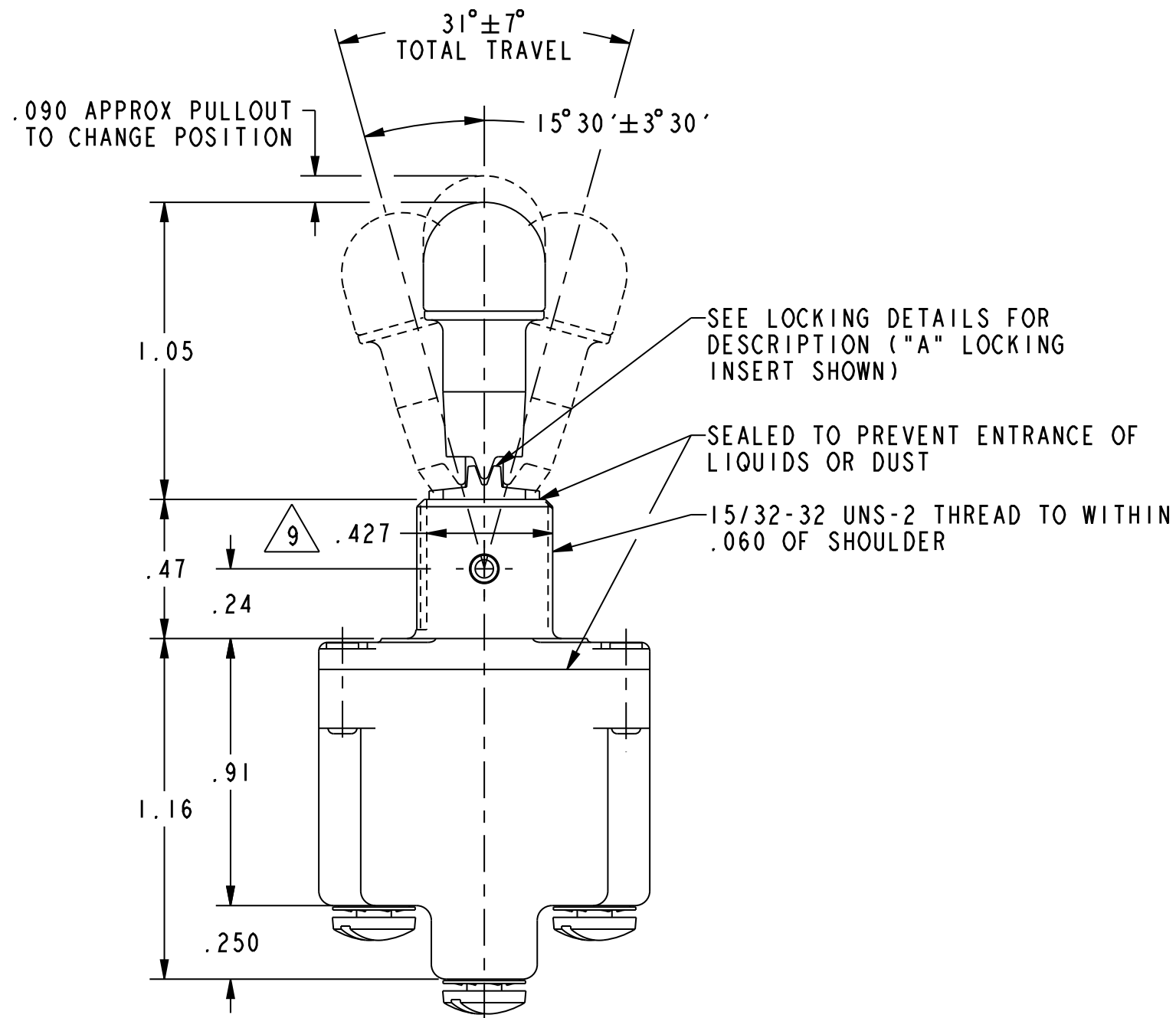
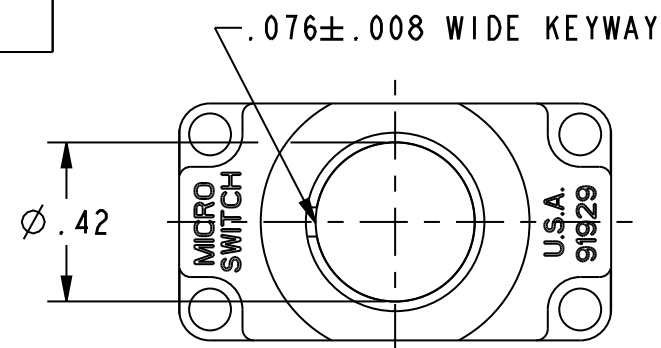
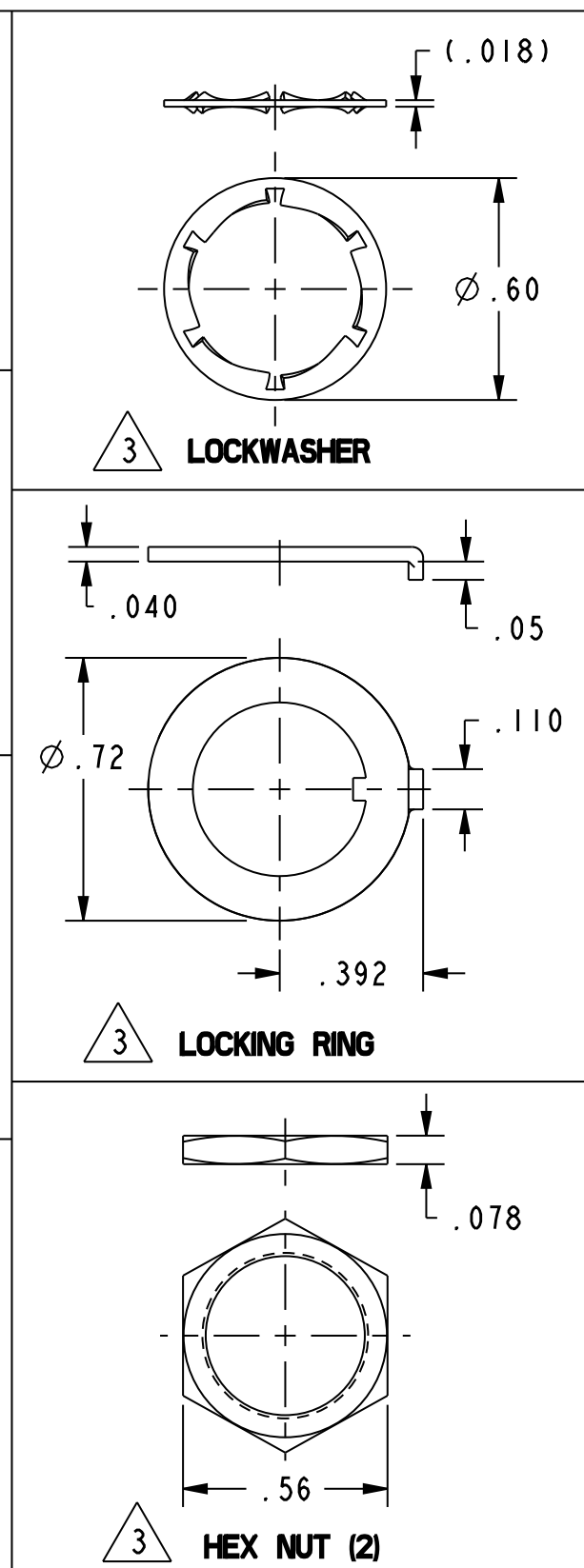
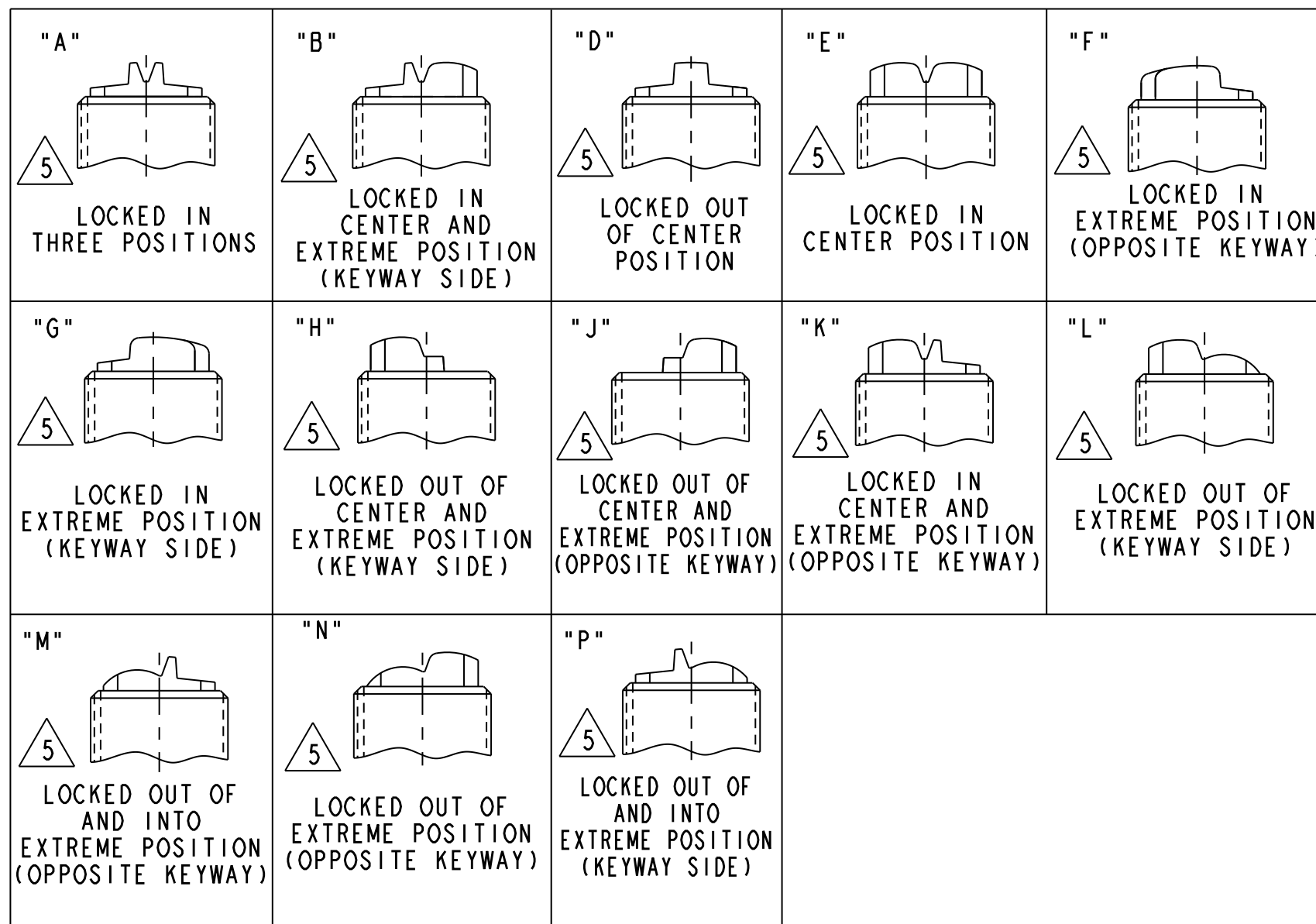


HONEYWELL
PART NUMBER
SEE CHART

REV	DOCUMENT	CHANGED BY	CHECK
32	0056412	SJK IOSEP09	CMH
REDRAWN WITHOUT CHANGE IN PRO-E			



MILITARY STANDARD NUMBER 6	CATALOG LISTING 6	AVAILABLE LOCKING COMBINATIONS FOR CONFIGURATION SEE LETTERED DETAILS	CIRCUIT MADE WITH TOGGLE LEVER IN			MILITARY RATING (AMPS)								
			KEYWAY SIDE (1-2)	CENTER (1-2)	OPPOSITE KEYWAY (2-3)	RESISTIVE LOAD				LAMP LOAD		INDUCTIVE LOAD		
						DC VOLTS		AC VOLTS		28 VDC	125 VAC	28 VDC	125 VAC	
MS-24658-21	ITLI-1	A, B, D, E, F, G, H, J, K, L, M, N, P	ON	OFF	ON	28	125	250	125	250	28	125	28	125
MS-24658-22	ITLI-2	D, F, G	OFF	NONE	ON	(REFER TO L191 FOR UL RATING)								
MS-24658-23	ITLI-3	D, F, G	ON	NONE	ON									
MS-24658-24	ITLI-21	E, F, K, M	NONE	OFF	ON									
MS-24658-33	ITLI-31	E, F, K, M	NONE	ON	ON									
MS-24658-29	ITLI-4	F	MOM OFF	NONE	ON									
MS-24658-31	ITLI-5	E, F, K, L, M, N	MOM ON	OFF	ON	(REFER TO L192 FOR UL RATING)								
MS-24658-30	ITLI-6	F	MOM ON	NONE	OFF									
MS-24658-27	ITLI-7	E, L, N	MOM ON	OFF	MOM ON									
MS-24658-26	ITLI-8	F	MOM ON	NONE	ON									
MS-24658-32	ITLI-51	E	NONE	ON	MOM ON									
MS-24658-28	ITLI-61	E	MOM ON	OFF	NONE									



- NOTES:
- 1 - SWITCHES ARE CAPABLE OF WITHSTANDING A TEMPERATURE OF 160°F CONTINUOUSLY AT FULL RATED LOAD.
 - 2 - CIRCUIT DESIGNATION, MICRO SWITCH CATALOG LISTING AND MS NUMBER MARKED ON SIDE OF SWITCH.
 - 3 - FURNISHED UNASSEMBLED.
 - 4 - FOR TERMINAL COVER, SEE MICRO SWITCH CATALOG LISTING 5PA7.
 - 5 - KEYWAY SHOWN ON LEFT SIDE.
 - 6 - SUFFIX LETTER MUST BE ADDED FOR DESIRED TYPE OF TOGGLE LOCKING. SEE CHART FOR AVAILABLE LOCKING COMBINATIONS.
 - 7 - APPLIES ONLY TO "ON" AND "MOMENTARY ON" POSITIONS.
 - 8 - THESE SWITCHES ARE QUALIFIED UNDER MIL-S-3950.
 - 9 - FROM BOTTOM OF KEYWAY TO MAJOR DIA. OF 15/32 THREAD.

15A-125, 250 OR 277VAC 1/2 HP-125VAC; 1HP-250, 277VAC 5A-125VAC "L" CODE L191	CE	UL
10A-125, 250 OR 277VAC 1/4HP-125VAC; 1/2HP-250, 277VAC 3A-125VAC "L" CODE L192	CE	UL

DESIGN UNITS: INCH TOLERANCES UNLESS NOTED:	DRAWN: JAF CHECK: - DATE: 28JUN94
NO PLACES .x ± .03 ONE PLACE .xx ± .015 TWO PLACE .xxx ± .005 THREE PLACE .x ± .03 ANGLES .x ± .03	THIS DRAWING COVERS A PROPRIETARY ITEM AND IS THE PROPERTY OF HONEYWELL. THIS DRAWING IS NOT TO BE COPIED OR USED WITHOUT THE PERMISSION OF HONEYWELL.
THIRD ANGLE PROJECTION	INTERPRET PER ASME Y14.5M-1994 OTHER HONEYWELL ENGINEERING STANDARDS MAY APPLY
Pro/ENGINEER	SCALE: 2:1 WEIGHT: .08 LBS. APPROX SHEET 1 OF 1

Honeywell			
SWITCH - TOGGLE			
SIZE: C	TYPE: I	CAGE CODE: -	DRAWING NAME: ITLI SERIES CHART 2 32
REV: 32	REV: 1 OF 1		