

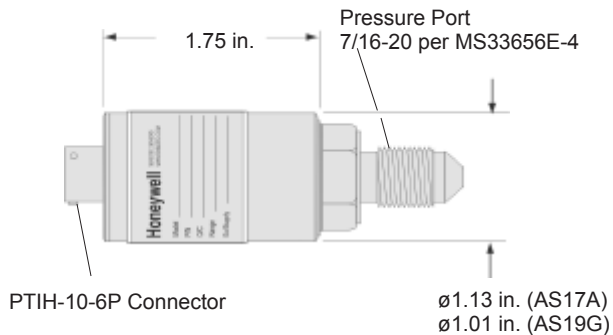
# Model AS17A/ AS19G Aerospace Pressure Transducers

Order Code AP161 (absolute); AP162 (gage)

- Non-Linearity 0.15% BFSL
- Lightweight



## Dimensions



## Wiring Code

### Connector/Unamplified

A&B	(+) Excitation
C&D	(-) Excitation
E	(-) Output
F	(+) Output

## Performance

Pressure Ranges	
Model AS17A (Absolute)	10 to 10,000 psia
Model AS19G (Gage)	25 to 10,000 psig
Linearity	+/- 0.15% Full Scale
Hysteresis	+/- 0.10% Full Scale
Output	3 mV/V Nominal
Resolution	Infinite

## Environmental

Temperature, Operating	-65° to 300° F
Temperature, Compensated	-65° to 250° F
Temperature, Effect	
Zero	0.005% Full Scale/° F
Span	0.005% Reading/° F

## Electrical

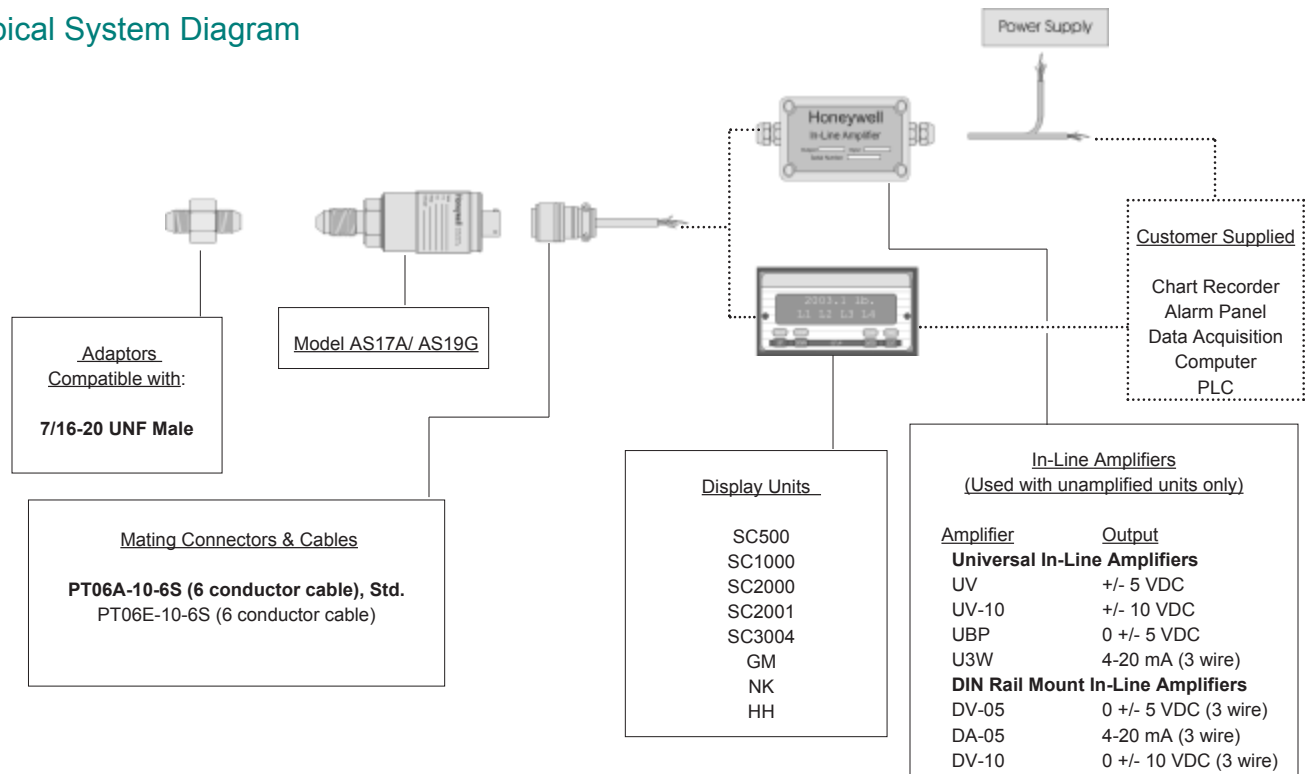
Excitation (calibration)	10 VDC
Bridge Resistance	350 Ohms
Electrical Termination (std)	Bendix PTIH-10-6P or equivalent

## Mechanical

Media	Fluids compatible with 17-4 PH Stainless Steel
Pressure Port	7/16-20 per MS33656E-4
Wetted Parts Material	17-4 PH Stainless Steel
Weight	5 oz.
Case Material	Stainless Steel

# Model AS17A/ AS19G

## Typical System Diagram



## Range Codes

Range	Range Code
10 psig/a	AV
15 psig/a	BJ
25 psig/a	BL
50 psig/a	BN
75 psig/a	BP
100 psig/a	BR
150 psig/a	CJ
200 psig/a	CL
300 psig/a	CP
500 psig/a	CR
750 psig/a	CT
1,000 psig/a	CV
1,500 psig/a	DJ
2,000 psig/a	DL
3,000 psig/a	DN
5,000 psig/a	DR
7,500 psig/a	DT
10,000 psig/a	DV

## How to Order

Combine the order code and the range code.

Sample Code: **AP161** **BJ**  
Order Code      Range Code