

LOW PASS FILTER

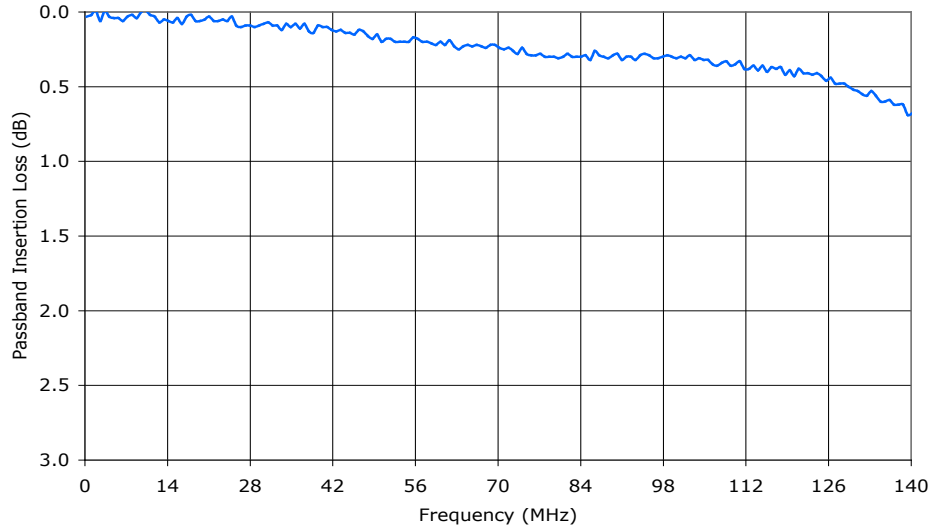
SURFACE MOUNT MODEL: FLS-154

CUT-OFF FREQUENCY

F_c = 154 MHz

FEATURES:

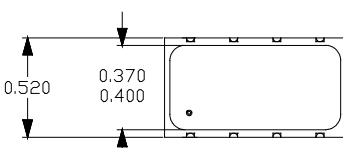
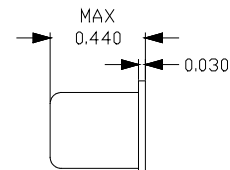
- ▶ Small Size
- ▶ Optimum Performance

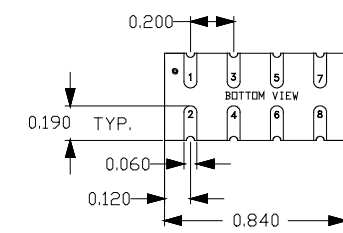


SPECIFICATIONS (Rev. C 02/07/08)

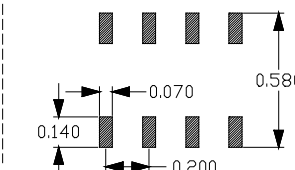
Passband	DC-140 MHz						
3 dB Cut-off Frequency	154 MHz						
Passband Insertion Loss	1.0 dB (Max.)						
Stopband Frequencies	<table border="1"> <tr><td>@ 270 MHz</td><td>35 dB (Min.)</td></tr> <tr><td>@ 235 MHz</td><td>23 dB (Min.)</td></tr> <tr><td>@ 208 MHz</td><td>20 dB (Min.)</td></tr> </table>	@ 270 MHz	35 dB (Min.)	@ 235 MHz	23 dB (Min.)	@ 208 MHz	20 dB (Min.)
@ 270 MHz	35 dB (Min.)						
@ 235 MHz	23 dB (Min.)						
@ 208 MHz	20 dB (Min.)						
Power Rating	1 Watt (Max.)						
Impedance	50 Ohms (Nom.)						
VSWR (Passband)	1.7:1 dB (Typ.)						
Operating Temperature Range	-40 to +85 °C						

Package #	102S
------------------	------



LAYOUT FOR PRINTED
CIRCUIT DESIGN



PORT CONFIGURATION		
Input	Output	Gnd.
1	8	All Other

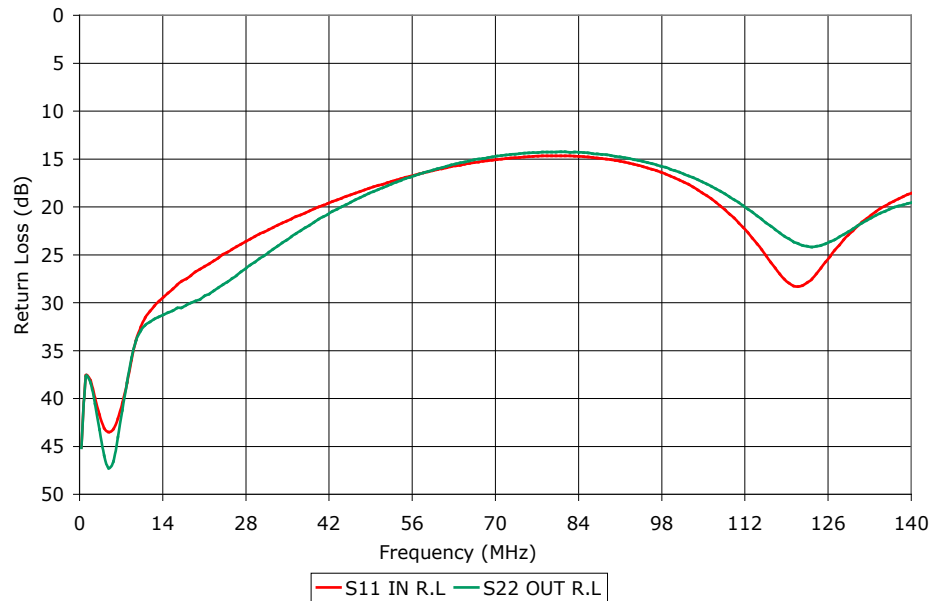
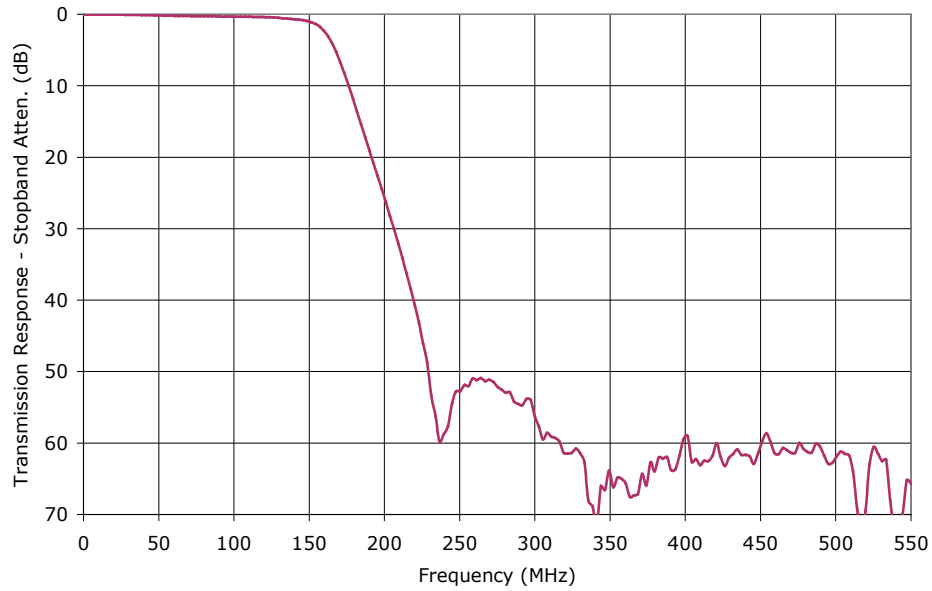
LOW PASS FILTER

SURFACE MOUNT MODEL: FLS-154

CUT-OFF FREQUENCY

$F_c = 154 \text{ MHz}$

PERFORMANCE PLOTS



LOW PASS FILTER

SURFACE MOUNT MODEL: FLS-154

CUT-OFF FREQUENCY

$F_c = 154 \text{ MHz}$

PERFORMANCE PLOTS

