

Low Profile SM Resistance Weld Crystal

The HC49SD series is a miniature AT or BT cut strip resonator crystal housed in low profile for surface mounting. The parts present a proven metal package technology with a precision molded base and universal contact configuration.

HC49SD

Specifications:

Frequency Range: 3.2 MHz ~ 40 MHz Fundamental
20 MHz ~ 70 MHz Overtone

Operating Temperature:

0°C ~ +50°C	-A
-10°C ~ +60°C	-B
-20°C ~ +70°C	-C
-40°C ~ +85°C	-L

Storage Temperature: -55°C ~ +125°C

Frequency Tolerance:

(at 25°C)	± 50 ppm	-50
	± 30 ppm	-30
	± 20 ppm	-20
	± 10 ppm	-10

Frequency Stability:

(over temperature range)	± 50 ppm	-50
	± 30 ppm	-30
	± 20 ppm	-20
	± 10 ppm	-10

Circuit Condition: 10 pF ~ 32 pF or series

Equivalent Series Resistance: Maximum resistance corresponds to frequency. Please see ESR table.

Drive Level: 1.0 mW max

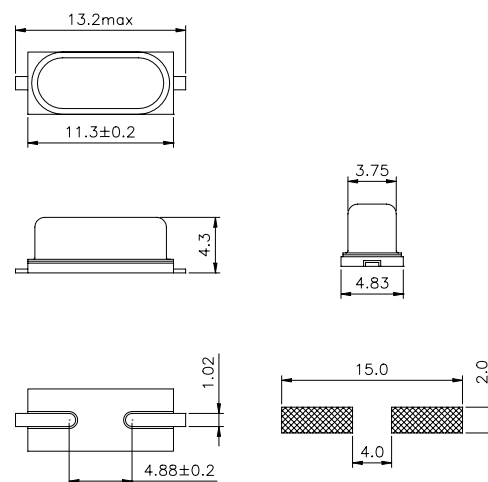
Shunt Capacitance: 7 pF max

Aging: ± 5 ppm max per year

Optional Features:

Fundamental	-F
3 rd , 5 th , 7 th O.T.	-3,5,7
Tape & Reel	-TR

HC-49SD



All dimensions are in mm

Ordering Information

Product name + CL + Operating Temperature Range + Tolerance + Stability + Other Code + Frequency.

i.e. HC49SD-20-C-30-30-F-24.000MHz

Note:

- Other frequencies, tolerances, stabilities, and operating temperature ranges available. Consult VTC Support for specific requirements.
- Not all combinations of the above tolerances, stabilities, and temperature ranges are available. Consult VTC Support if your requirement is not standard.
- All specifications subject to change without notice.