
ML610Q340/ML610340

8-bit Microcontroller with Voice Output Function

GENERAL DESCRIPTION

Equipped with an OKI SEMICONDUCTOR original 8-bit CPU nX-U8/100, the ML610Q340/ML610340 is a high-performance 8-bit CMOS microcontroller that integrates a wide variety of peripherals such as a timer, synchronous serial port, and voice output function. The nX-U8/100 CPU is capable of executing instructions efficiently on a one-instruction-per-clock-pulse basis through parallel processing by the 3-stage pipelined architecture. The microcontroller is also equipped with a flash memory that has achieved low voltage and low power consumption (at read) equivalent to mask ROMs, so it is best suited to battery-driven applications such as cellular phones. In addition, it has an on-chip debugging function, which allows software debugging/rewriting with the LSI mounted on the board.

FEATURES

- CPU
 - 8-bit RISC CPU (CPU name: nX-U8/100)
 - Instruction repertoire: 16-bit length instructions
 - Instruction set: Transfer, arithmetic operations, comparison, logical operations, multiply/divide operations, bit manipulation, bit logical operations, jump, conditional jump, call return stack manipulation, and arithmetic shift instructions.
 - Built-in on-chip debugging function
 - Minimum instruction execution time:
0.244 μ s (@ 4.096 MHz system clock)
- Internal memory
 - ML610Q340
 - Has 96-Kbyte flash memory (48K \times 16-bit) built in. (including unusable 1KByte TEST area)
 - ML610340
 - Has 96-Kbyte mask memory (48K \times 16-bit) built in. (including unusable 1KByte TEST area)
 - Has 512-byte RAM (512 \times 8-bit) built in.
- Interrupt controller
 - Non-maskable interrupt: 2 sources (1 internal source and 1 external sources)
 - Maskable interrupt: 12 sources (8 internal sources and 4 external sources)
- Time-base counter
 - Low-speed side time-base counter \times 1ch
 - High-speed side time-base counter \times 1ch
- Watchdog timer
 - Generates a non-maskable interrupt upon the first overflow and a system reset occurs upon the second
 - Free-running
 - Selectable overflow period: 4 types (125 ms, 500 ms, 2 sec, 8 sec)
- Timer
 - 8-bit \times 2ch (16-bit configuration also enabled)

- Voice output function
 - Voice synthesis method: 4-bit ADPCM2 / 8-bit non-linear PCM / 8-bit PCM / 16-bit PCM
 - Sampling frequency: 6.4/8/10.7/12.8/16/21.3/25.6/32 kHz
- Speaker amplifier output power
 - 1W(at 5V)
- Synchronous serial port
 - Master/slave selectable
 - LSB/MSB-first selectable
 - 8-bit/16-bit length selectable
- General-purpose port
 - Input-only port × 4ch
 - Output-only port × 4ch (those as secondary functions are also included)
 - Input-output port × 4ch (those as secondary functions are also included)
- Reset
 - Resetting by the RESET_N pin
 - Resetting upon power-on detection
 - Resetting upon WDT overflow detection
- Clock
 - Low-speed side clock
Internal frequency division (1/128 of the high-speed side clock)
 - High-speed side clock
Crystal/ceramic oscillation (4.096 MHz), external clock
- Power management
 - HALT mode: Halts the execution of instructions issued by the CPU (the peripheral circuits continue operating)
 - STOP mode: Stops low-speed and high-speed oscillation (the CPU and the peripheral circuits stop operating)
 - Clock gear: Allows changing the frequency of the high-speed system clock by software (oscillator clock divided by 1, 2, 4, or 8)
 - Block Control Function: Power down (reset registers and stop clock supply) the circuits of unused peripherals.
- Shipment
 - 30-pin SSOP
 - High-speed side clock : Crystal/ceramic oscillation (4.096 MHz)
Flash Memory : ML610Q340-xxxMB (blank product: ML610Q340-NNNMB)
Mask Memory : ML610340-xxxMB
 - High-speed side clock : external clock
Flash Memory : ML610Q340J-xxxMB (blank product: ML610Q340J-NNNMB)
Mask Memory : ML610340J-xxxMB

 - xxx: ROM code number
- Guaranteed operating range
 - Operating temperature: -40°C to +85°C
 - Operating voltage: V_{DD} = 2.2 to 5.5 V, SPV_{DD} = 2.3 to 5.5 V
(Be sure to apply the same voltage to all the power supplies.)

BLOCK DIAGRAM

ML610Q340

Figure 1 is a block diagram of the ML610Q340.

Symbols with an asterisk "*" indicate that each of them is the secondary or tertiary function of the corresponding port.

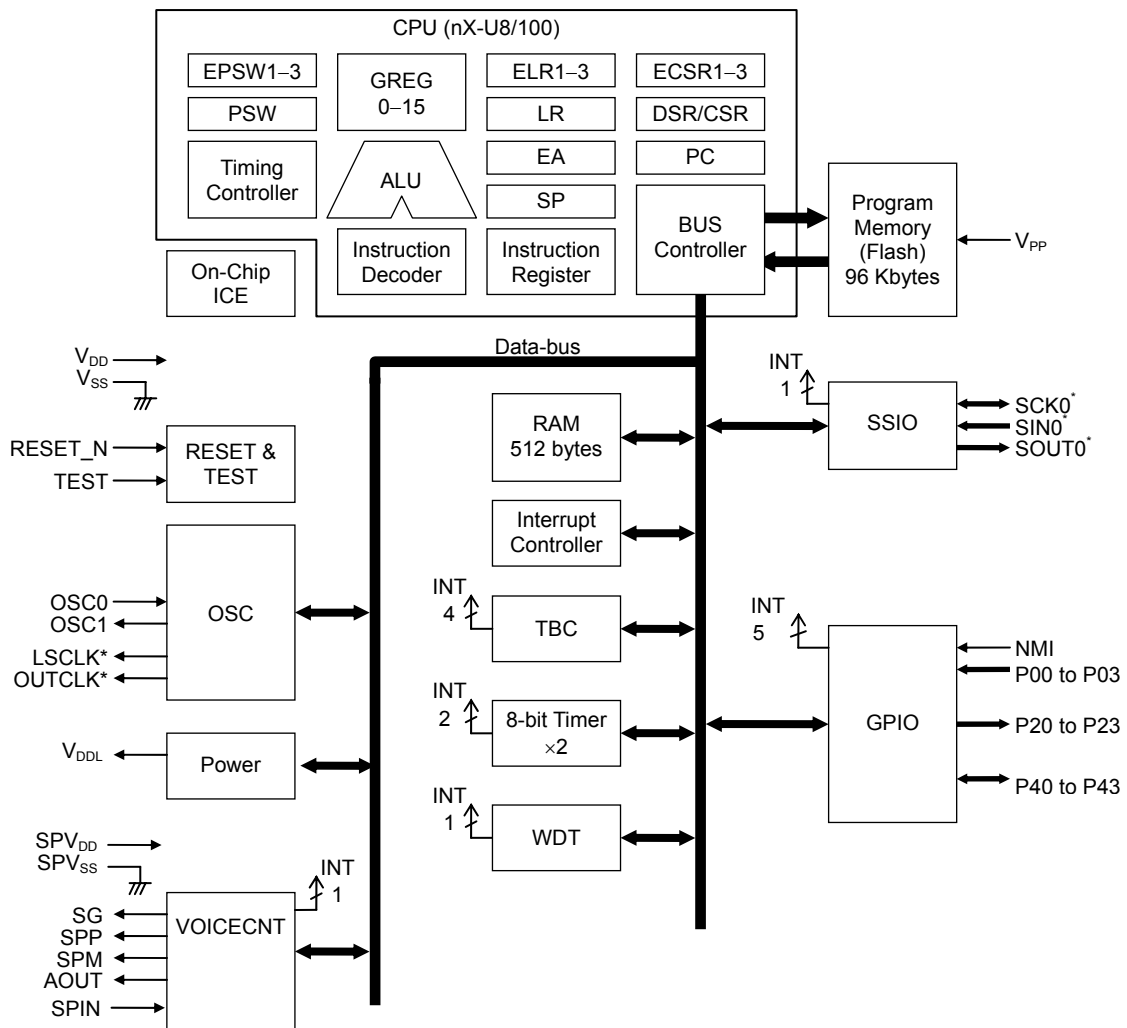


Figure 1 Block Diagram of ML610Q340

ML610340

Figure 2 is a block diagram of the ML610340.

Symbols with an asterisk "*" indicate that each of them is the secondary or tertiary function of the corresponding port.

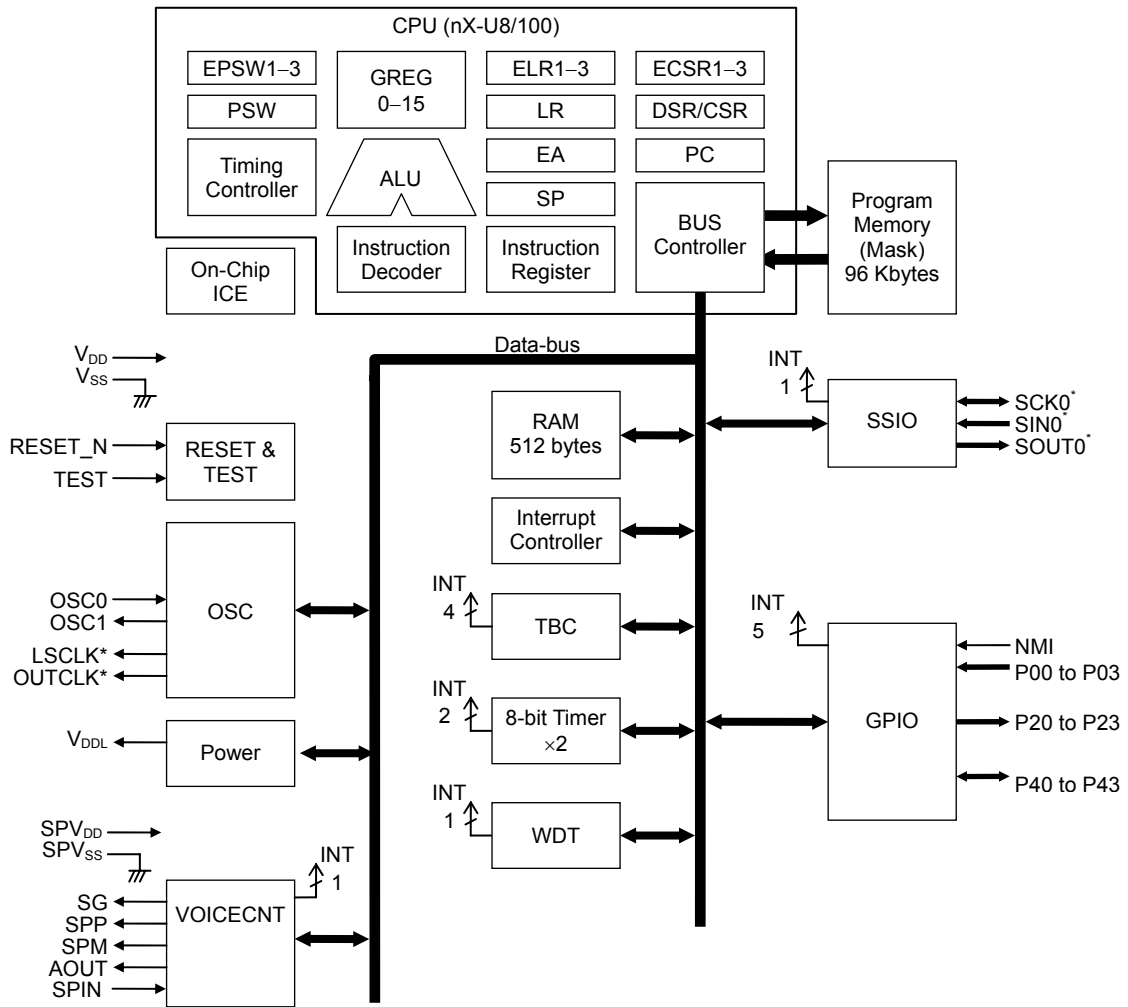
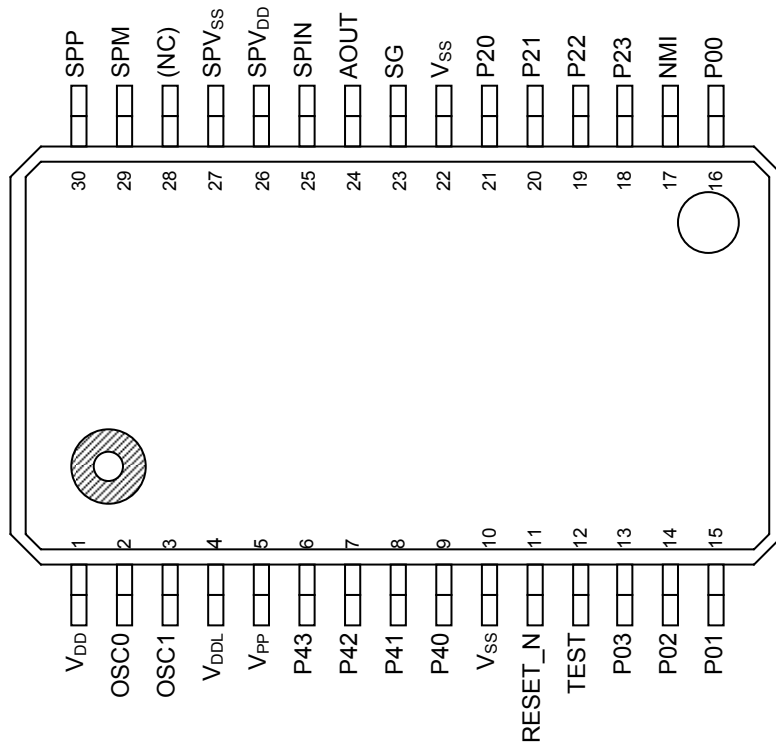


Figure 2 Block Diagram of ML610340

PIN CONFIGURATION

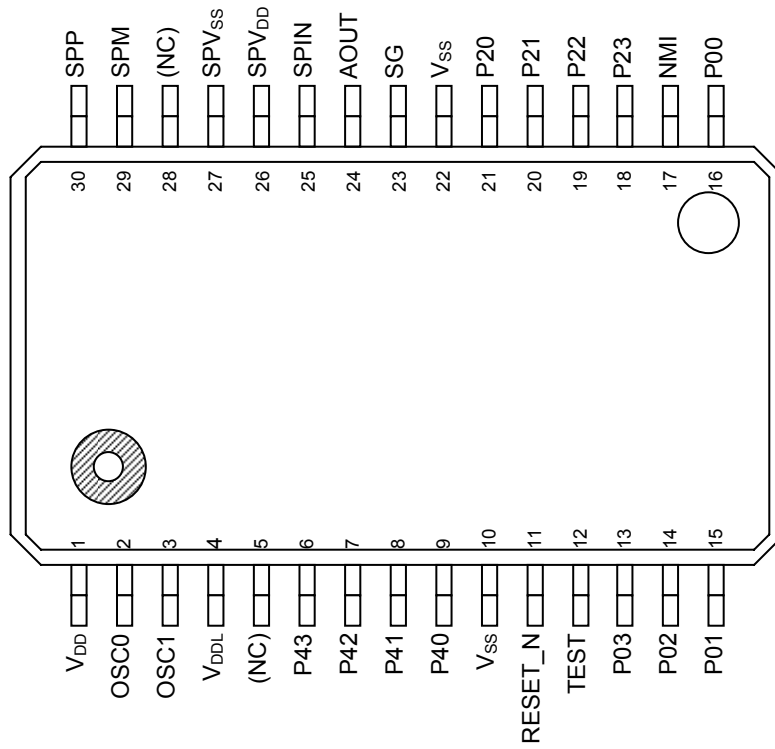
ML610Q340 SSOP package product



NC: No Connection

Figure 3 Pin Configuration of ML610Q340 Package Product

ML610340 SSOP package product



NC: No Connection

Figure 4 Pin Configuration of ML610340 Package Product

LIST OF PINS

PAD No	Primary function			Secondary function			Tertiary function		
	Pin name	I/O	Description	Pin name	I/O	Description	Pin name	I/O	Description
10,22	V _{SS}	—	Negative power supply pin	—	—	—	—	—	—
1	V _{DD}	—	Positive power supply pin	—	—	—	—	—	—
4	V _{DDL}	—	Power supply for internal logic (internally generated)	—	—	—	—	—	—
27	SPV _{SS}	—	Negative power supply pin for built-in speaker amplifier	—	—	—	—	—	—
26	SPV _{DD}	—	Positive power supply pin for built-in speaker amplifier	—	—	—	—	—	—
5	V _{PP} (*)	—	Power supply pin for flash memory	—	—	—	—	—	—
12	TEST	I/O	Input/output pin for testing	—	—	—	—	—	—
11	RESET_N	I	Reset input pin	—	—	—	—	—	—
2	OSC0	I	Connection pin for high-speed clock oscillation	—	—	—	—	—	—
3	OSC1	O	Connection pin for high-speed clock oscillation	P11	I	Input port	—	—	—
24	AOUT	O	LINE output	—	—	—	—	—	—
25	SPIN	I	Analog input to the built-in speaker amplifier	—	—	—	—	—	—
23	SG	O	Reference power supply pin of the built-in speaker amplifier	—	—	—	—	—	—
30	SPP	O	Positive output pin of the built-in speaker amplifier	—	—	—	—	—	—
29	SPM	O	Negative output pin of the built-in speaker amplifier	—	—	—	—	—	—
17	NMI	I	Input port, non-maskable interrupt	—	—	—	—	—	—
16	P00/EXI0	I	Input port / External interrupt	—	—	—	—	—	—
15	P01/EXI1	I	Input port / External interrupt	—	—	—	—	—	—
14	P02/EXI2	I	Input port / External interrupt	—	—	—	—	—	—
13	P03/EXI3	I	Input port / External interrupt	—	—	—	—	—	—
21	P20/LED0	O	Output port / LED drive	LSCLK	O	Low-speed clock output	—	—	—
20	P21/LED1	O	Output port / LED drive	OUTCLK	O	high-speed clock output	—	—	—
19	P22/LED2	O	Output port / LED drive	—	—	—	—	—	—
18	P23/LED3	O	Output port / LED drive	—	—	—	—	—	—

PAD No	Primary function			Secondary function			Tertiary function		
	Pin name	I/O	Description	Pin name	I/O	Description	Pin name	I/O	Description
9	P40	I/O	Input/output port	—	—	—	SIN0	I	SSIO0 data input
8	P41	I/O	Input/output port	—	—	—	SCK0	I/O	SSIO0 synchronous clock input/output
7	P42	I/O	Input/output port	—	—	—	SOUT0	O	SSIO0 data output
6	P43	I/O	Input/output port	—	—	—	—	—	—

*: Applies to the ML610Q340.

PIN DESCRIPTION

Pin name	I/O	Description	Primary/ Secondary/ Tertiary	Logic
Power supply				
V _{SS}	—	Negative power supply pin	—	—
V _{DD}	—	Positive power supply pin	—	—
V _{DDL}	—	Positive power supply pin for internal logic (internally generated) Capacitors C _L (see measuring circuit 1) are connected between this pin and V _{SS}	—	—
SPV _{SS}	—	Negative power supply pin for built-in speaker amplifier	—	—
SPV _{DD}	—	Positive power supply pin for built-in speaker amplifier	—	—
V _{PP} (*)	—	Power supply pin for flash memory	—	—
Test				
TEST	I/O	Input/output pin for testing. Has a pull-down resistor built in.	—	Positive
System				
RESET_N	I	Reset input pin. When this pin is set to a “L” level, the device is placed in system reset mode and the internal circuit is initialized. If after that this pin is set to a “H” level, program execution starts. This pin has a pull-up resistor built in.	—	Negative
OSC0	I	Pins for connecting a crystal unit for high speed clock. Connect a 4.096 MHz crystal unit (see Measuring Circuit 1) to these pins. Also, connect capacitors (C _{DH} and C _{GH}) between these pins and V _{SS} as required.	—	—
OSC1	O		—	—
LSCLK	O	Low-speed clock output. This function is allocated to the secondary function of the P20 pin.	Secondary	—
OUTCLK	O	High-speed clock output. This function is allocated to the secondary function of the P21 pin.	Secondary	—
General-purpose Input port				
P00–P03	I	General-purpose input ports.	Primary	Positive
General-purpose Output port				
P20–P23	O	General-purpose output ports. Provided with a secondary function. Cannot be used as ports if their secondary function is used.	Primary	Positive
General-purpose Input/output port				
P40–P43	I/O	General-purpose input/output ports. Provided with a secondary function. Cannot be used as ports if their secondary function is used.	Primary	Positive

*Applies to the ML610Q340.

Pin name	I/O	Description	Primary/ Secondary/ Tertiary	Logic
Synchronous serial (SSIO)				
SIN0	I	Synchronous serial data input pin. Allocated to the tertiary function of the P40 pin.	Tertiary	Positive
SCK0	I/O	Synchronous serial clock input/output pin. Allocated to the tertiary function of the P41 pin.	Tertiary	—
SOUT0	O	Synchronous serial data output pin. Allocated to the tertiary function of the P42 pin.	Tertiary	Positive
External interrupt				
NMI	I	External non-maskable interrupt input pin. The interrupt occurs on both the rising and falling edges.	Primary	Positive/ Negative
EXI0–3	I	External maskable interrupt input pins. It is possible, for each bit, to specify whether the interrupt is enabled and select the interrupt edge by software. Allocated to the primary function of the P00–P03 pins.	Primary	Positive/ Negative
LED drive				
LED0–3	O	NMOS open drain pins to allow direct driving of LED. Allocated to the secondary function of the P20–P23 pins.	Primary	Positive/ Negative
Voice output function				
AOUT	O	LINE output pin. When you use built-in speaker amplifier, connect with the SPIN pin.	—	—
SPIN	I	Analog input pin of the internal speaker amplifier.	—	—
SG	O	Reference voltage output pin of the internal speaker amplifier.	—	—
SPP	O	Positive output pin of the internal speaker amplifier.	—	—
SPM	O	Negative output pin of the internal speaker amplifier.	—	—

ELECTRICAL CHARACTERISTICS

Absolute Maximum Ratings

(V_{SS} = SPV_{SS} = 0V)

Parameter	Symbol	Condition	Rating	Unit
Power supply voltage 1	V _{DD}	Ta = 25°C	-0.3 to +7.0	V
Power supply voltage 2	SPV _{DD}	Ta = 25°C	-0.3 to +7.0	V
Power supply voltage 3	V _{DDL}	Ta = 25°C	-0.3 to +3.6	V
Power supply voltage 4	V _{PP}	Ta = 25°C	-0.3 to +9.5	V
Input voltage	V _{IN}	Ta = 25°C	-0.3 to V _{DD} +0.3	V
Output voltage	V _{OUT}	Ta = 25°C	-0.3 to V _{DD} +0.3	V
Output current 1	I _{OUT1}	P4, Ta = 25°C	-12 to +11	mA
Output current 2	I _{OUT2}	P2, Ta = 25°C	-12 to +20	mA
Power dissipation	PD	Ta = 25°C	861	mW
Storage temperature	T _{STG}	—	-55 to +150	°C

Recommended Operating Conditions

(V_{SS} = SPV_{SS} = 0V)

Parameter	Symbol	Condition	Range	Unit
Operating temperature	T _{OP}	—	-40 to +85	°C
Operating voltage	V _{DD}	—	2.2 to 5.5	V
	SPV _{DD}	—	2.3 to 5.5	
Operating frequency (CPU)	f _{OP}	—	437k to 4.2M	Hz
High-speed crystal/ceramic oscillation frequency	f _{XTH}	—	4.0M, 4.096M	Hz
High-speed crystal oscillation external capacitor	C _{DH}	—	15 to 32	pF
	C _{GH}	—	15 to 32	
Capacitor externally connected to V _{DDL} pin	C _L	—	10±30%	μF
Capacitor externally connected to SG pin	C _{SG}	—	0.1±30%	μF

Flash Memory Operating Conditions

(V_{SS} = SPV_{SS} = 0V)

Parameter	Symbol	Condition	Range	Unit
Operating temperature	T _{OP}	At write/erase	0 to +40	°C
Operating voltage	V _{DD}	At write/erase	2.7 to 3.6	V
	V _{DDL}	At write/erase (*1)	2.5 to 2.75	
	V _{PP}	At write/erase (*1)	7.7 to 8.3	
Maximum rewrite count	C _{EP}	—	80	times
Data retention period	Y _{DR}	—	10	years

*1: When writing data to, or erasing data from, flash ROM, it is necessary to apply a voltage within the range specified above to the V_{DDL} pin.

DC Characteristics (1 of 5)

(V_{DD} = SPV_{DD} = 2.2 to 5.5V, V_{SS} = SPV_{SS} = 0V,
Ta = -40 to +85°C, unless otherwise specified)

Parameter	Symbol	Condition	Min.	Typ.	Max.	Unit	Measuring circuit
High-speed oscillation start time	T _{XTH}	—	—	2	20	ms	1
Reset pulse width	P _{RST}	—	100	—	—	μs	
Reset noise rejection pulse width	P _{NRST}	—	—	—	0.4		
Time from power-on reset to power-up	T _{POR}	—	—	—	10	ms	

DC Characteristics (2 of 5)

($V_{DD} = SPV_{DD} = 2.3$ to $5.5V$, $V_{SS} = SPV_{SS} = 0V$,
 $T_a = -40$ to $+85^{\circ}C$, unless otherwise specified)

Parameter	Symbol	Condition	Min.	Typ.	Max.	Unit	Measuring circuit
LINE amplifier output load resistance	R_{LA}	At $1/2V_{DD}$ output	10	—	—	$k\Omega$	1
LINE amplifier output voltage range	V_{AD}	At output load	$V_{DD} \times 1/6$	—	$V_{DD} \times 5/6$	V	
SG output voltage	V_{SG}	—	$0.95 \times V_{DD}/2$	$DV_{DD}/2$	$1.05 \times V_{DD}/2$	V	
SG output resistance	R_{SG}	—	57	96	135	$k\Omega$	
SPM, SPP output load resistance	R_{LSP}	—	8	—	—	Ω	
Speaker amplifier output power	PSPO1	$SPV_{DD} = 3.3V$, $f = 1kHz$, $RSPO = 8\Omega$, $THD \geq 10\%$ At SPIN Input	—	0.5	—	W	
	PSPO2	$SPV_{DD} = 5.0V$, $f = 1kHz$, $RSPO = 8\Omega$, $THD \geq 10\%$ At SPIN Input	—	1	—	W	
Output offset voltage between SPM and SPP with no signal present	VOF	$SPV_{DD} = 3.0V$, SPIN – SPM gain = +6dB With a load of 8Ω	-50	—	+50	mV	

DC Characteristics (3 of 5) ML610Q340

($V_{DD} = SPV_{DD} = 2.2$ to $5.5V$, $V_{SS} = SPV_{SS} = 0V$,
 $T_a = -40$ to $+85^{\circ}C$, unless otherwise specified)

Parameter	Symbol	Condition	Min.	Typ.	Max.	Unit	Measuring circuit	
Supply current 1	IDD1	CPU: In STOP state. Low-speed/high-speed oscillation: stopped	$T_a \leq +40^{\circ}C$	—	0.5	2.0	μA	1
			$T_a \leq +85^{\circ}C$	—	0.5	8		
Supply current 4	IDD4	CPU: Running at 4.096MHz Crystal/ceramic oscillating mode *1	$V_{DD} = SPV_{DD} = 3.0V$	—	1.7	4	mA	
			$V_{DD} = SPV_{DD} = 5.0V$	—	2.2	4		
Supply current 5	IDD5	CPU: Running at 4.096MHz Crystal/ceramic oscillating mode *1 During voice playback (no output load)	$V_{DD} = SPV_{DD} = 3.0V$	—	3	12	mA	
			$V_{DD} = SPV_{DD} = 5.0V$	—	8	12		

*1: Use 4.096MHz Crystal Oscillator CHC49SFWB (Kyocera).

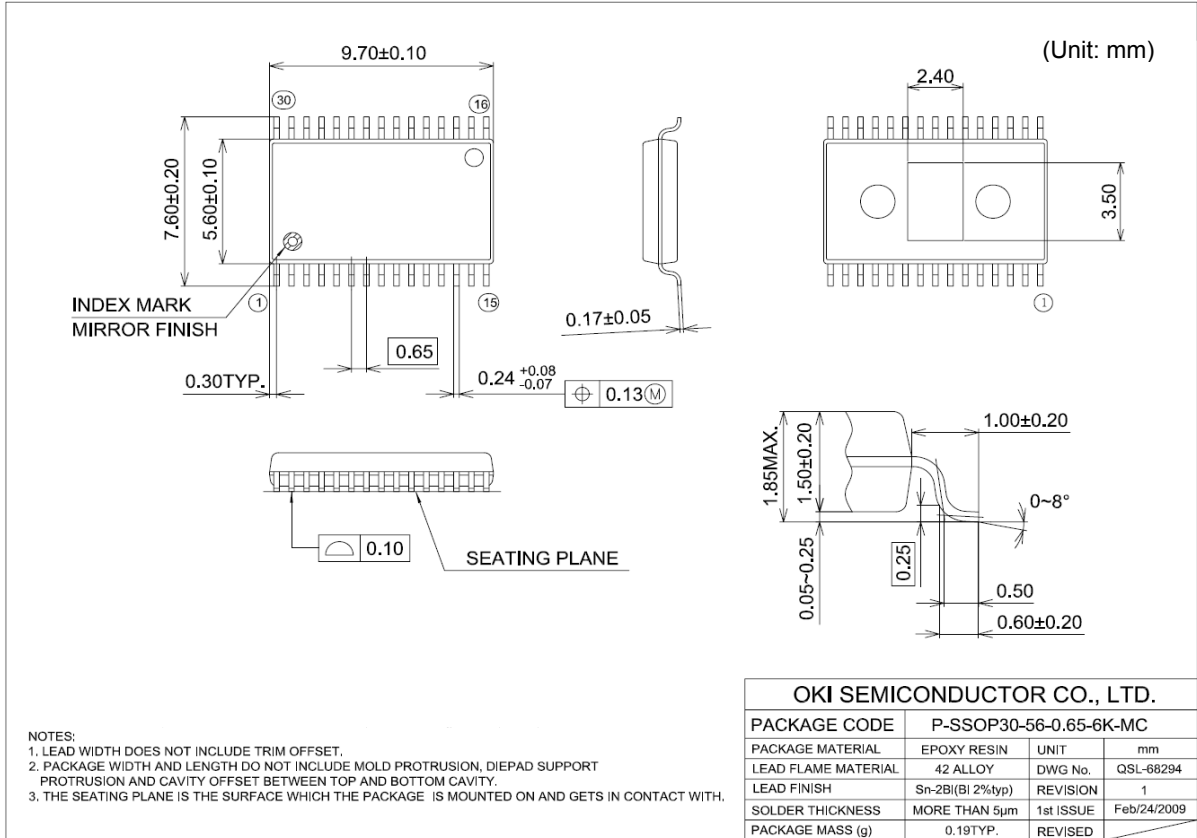
DC Characteristics ML610340

($V_{DD} = SPV_{DD} = 2.2$ to $5.5V$, $V_{SS} = SPV_{SS} = 0V$,
 $T_a = -40$ to $+85^{\circ}C$, unless otherwise specified)

Parameter	Symbol	Condition	Min.	Typ.	Max.	Unit	Measuring circuit	
Supply current 1	IDD1	CPU: In STOP state. Low-speed/high-speed oscillation: stopped	$T_a \leq +40^{\circ}C$	—	0.5	2.0	μA	1
			$T_a \leq +85^{\circ}C$	—	0.5	8		
Supply current 4	IDD4	CPU: Running at 4.096MHz Crystal/ceramic oscillating mode *1	$V_{DD} = SPV_{DD} = 3.0V$	—	0.75	4	mA	
			$V_{DD} = SPV_{DD} = 5.0V$	—	1.5	4		
Supply current 5	IDD5	CPU: Running at 4.096MHz Crystal/ceramic oscillating mode *1 During voice playback (no output load)	$V_{DD} = SPV_{DD} = 3.0V$	—	3	12	mA	
			$V_{DD} = SPV_{DD} = 5.0V$	—	8	12		

*1: Use 4.096MHz Crystal Oscillator CHC49SFWB (Kyocera).

PACKAGE DIMENSIONS



NOTICE

1. The information contained herein can change without notice owing to product and/or technical improvements. Before using the product, please make sure that the information being referred to is up-to-date.
2. The outline of action and examples for application circuits described herein have been chosen as an explanation for the standard action and performance of the product. When planning to use the product, please ensure that the external conditions are reflected in the actual circuit, assembly, and program designs.
3. When designing your product, please use our product below the specified maximum ratings and within the specified operating ranges including, but not limited to, operating voltage, power dissipation, and operating temperature.
4. OKI SEMICONDUCTOR assumes no responsibility or liability whatsoever for any failure or unusual or unexpected operation resulting from misuse, neglect, improper installation, repair, alteration or accident, improper handling, or unusual physical or electrical stress including, but not limited to, exposure to parameters beyond the specified maximum ratings or operation outside the specified operating range.
5. Neither indemnity against nor license of a third party's industrial and intellectual property right, etc. is granted by us in connection with the use of the product and/or the information and drawings contained herein. No responsibility is assumed by us for any infringement of a third party's right which may result from the use thereof.
6. The products listed in this document are intended for use in general electronics equipment for commercial applications (e.g., office automation, communication equipment, measurement equipment, consumer electronics, etc.). These products are not, unless specifically authorized by OKI SEMICONDUCTOR authorized for use in any system or application that requires special or enhanced quality and reliability characteristics nor in any system or application where the failure of such system or application may result in the loss or damage of property, or death or injury to humans.
Such applications include, but are not limited to, traffic and automotive equipment, safety devices, aerospace equipment, nuclear power control, medical equipment, and life-support systems.
7. Certain products in this document may need government approval before they can be exported to particular countries. The purchaser assumes the responsibility of determining the legality of export of these products and will take appropriate and necessary steps at their own expense for these.
8. No part of the contents contained herein may be reprinted or reproduced without our prior permission.

Copyright 2008 OKI SEMICONDUCTOR CO., LTD.